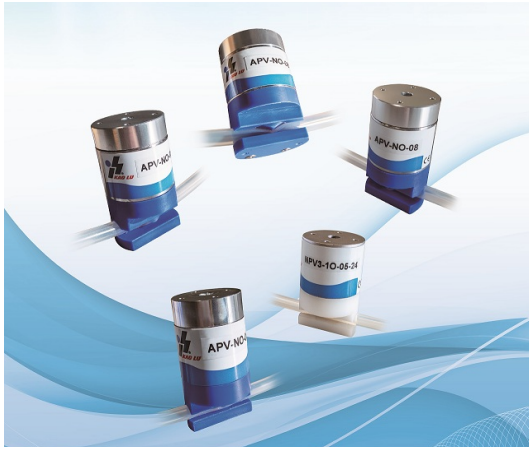


# APV 系列

## 電磁式夾管閥 Electronic Pinch Valve



APV 微型夾閥系列是一個電磁原理的運作裝置，設計用來開啟或關閉管路達到液體及氣體流動控制。其它類型的閥因內部有微小通道，可能導致流體殘留於內部，夾管閥不具有任何多餘空間使得流體殘留於這區域，僅有管路內部會接觸流體。電磁閥激磁後會拉動可動鐵心，達到開啟或關閉管路，消除激磁後將可使鐵心回到原本的位置。

在一般工業上使用夾管閥使流體與機械閥隔離的應用產業包含：藥物配液、實驗室設備、廢水處理、醫療設備、化學、食品、飲料設備、陶瓷/玻璃/塑膠、散裝與固體處理。

APV Series Miniature Pinch Valve is a solenoid operated device that is designed to open and close tubes for controlling flow of liquids and gases. Other valve types have internal passages that may cause small amounts of fluid to remain in the valve. Pinch valves have no areas or dead volume where fluid can become trapped. Only the inside of the tubing contacts the fluid. Energizing the solenoid retracts or attracts the plunger, which opens or closes the tube. De-energizing the solenoid will allow the plunger to return to its original state.

Common industries that use pinch valves for the benefits of isolating fluid from a mechanical valve include: drug dispensing, laboratory equipment, waste water, medical devices, chemical, food and beverage equipment, ceramic/glass/plastic, and bulk and solids handling.

- 微小、緊湊型設計 Small, compact design
- 衛生且容易清潔(替換流體管子)  
Hygienic and easy to clean(replace tubes)
- 低耗電 Low power consumption
- 壽命長 High cycle life
- 可用於全血液及顆粒物  
Can handle whole blood and particulate matter
- 順暢管路 Unobstructed flow path
- 每個閥預裝有 12" 長的醫療/實驗級矽膠管  
Each valve comes with 12" of Medical/laboratory grade silicone tubing, pre-installed
- 管徑多種尺寸選擇  
Variety of tubing sizes available
- 容易替換管子 Tubing is easily replaceable

### 產品規格 SPECIFICATIONS

型式 Valve Type	2-way NC、2-way NO
流體 Medium	Air、Water、Gas、Compatible fluids
工作壓力 Operating Pressure	20 to 30 psi
耗電量 Power Consumption	1.0 to 7.2 watts
反應時間 Response Time	5 to 25 ms
出線長度 Electrical Connections	18" wire leads
電壓 Voltage	24 VDC
接液材料 Wetted Materials	醫療級矽膠管 Medical grade silicone tubing
搭配管徑 Tube size	O.D 6mm、O.D 8mm

### 型號選擇 Ordering code

APV	-	NC	-	08
①		②		③

①系列 TYPE	
APV	APV 系列

②動作方式 ACTION	
NC	常閉 Normally Close
NO	常開 Normally Open

③管徑尺寸 TUBE SIZE	
06	6mm
08	8mm



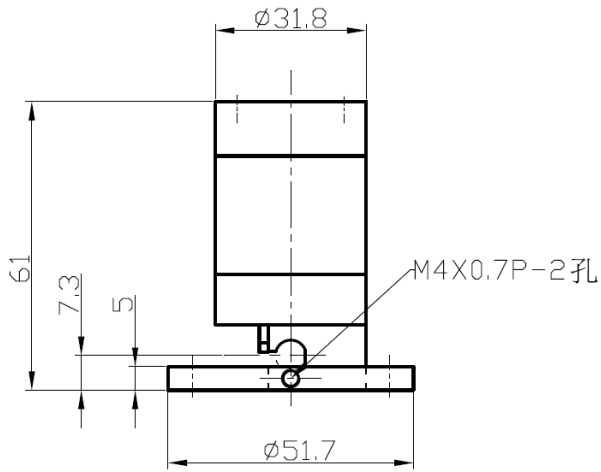
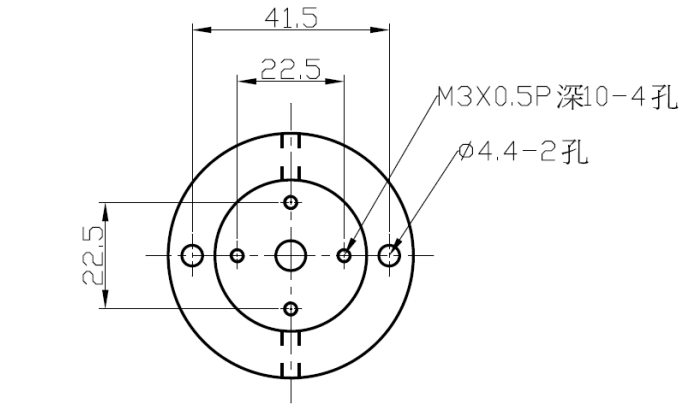
**Kao Lu Enterprises Co., Ltd. TEL:886-4-24874219 · 24860626**  
**Genn Dih Enterprises Co., Ltd. FAX:886-4-24864269 · 24862824**  
**Web:www.genndih.com E-mail:genndih@ms43.hinet.net**  
 No. 17, Lane 822, Sec. 2, Zhongxing Rd., Dail Dist., Taichung City 41244, Taiwan(R.O.C)

# APV 系列

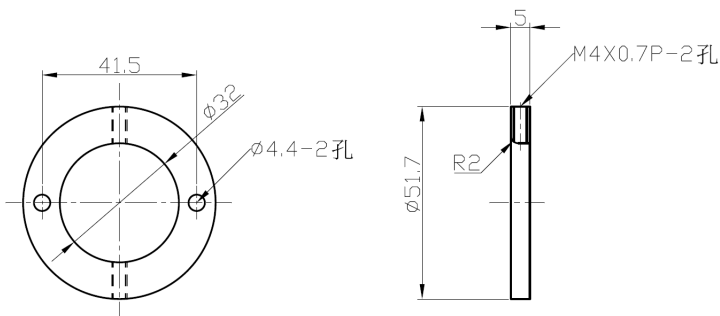
電磁式夾管閥 Electronic Pinch Valve



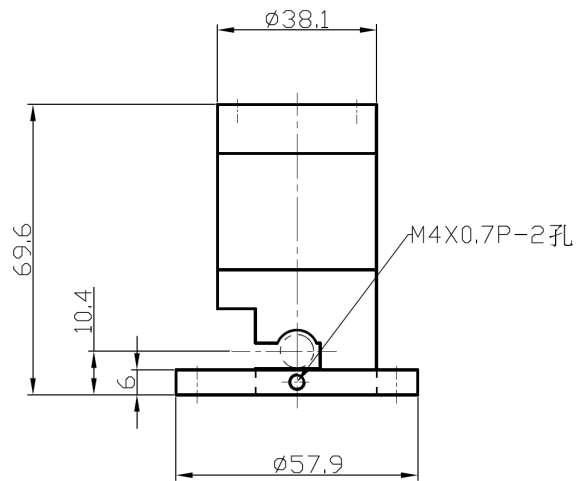
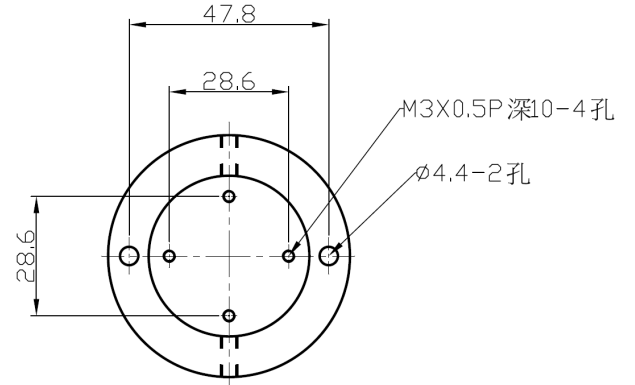
## 外型尺寸 Dimension



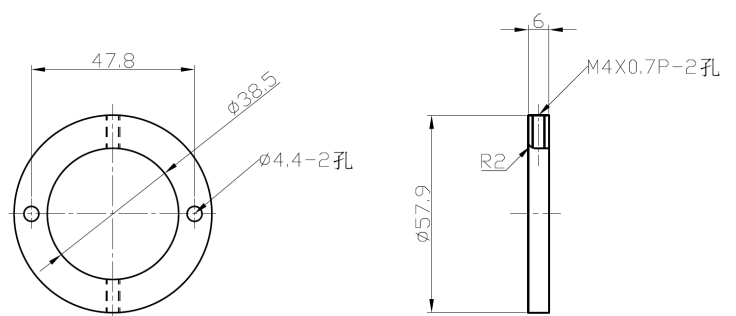
△APV-NC(NO)-06



固定架



△APV-NC(NO)-08

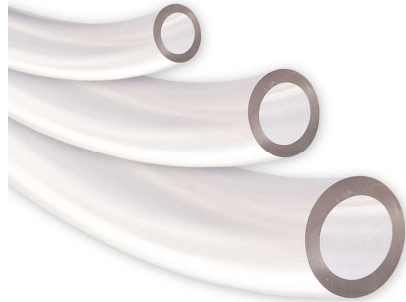


固定架



# PCT 系列

醫療級矽膠管 Medical Grade Silicone Tubing



此醫療/實驗室級矽膠管是專門為醫療設備設計的。APV 電磁式夾管閥使用硬度為 50-55 Shore A 的鉑金固化醫療/實驗室級有機矽管。這種類型的矽膠管通常用於醫療應用，例如配藥、尿液收集系統、透析設備、靜脈輸液系統、儀器的廢料品...等應用。

This Medical/Laboratory Grade Silicone Tubing is specifically designed for use in medical devices.

APV series electronic pinch valves utilize this Platinum Cured Medical/Laboratory Grade Silicone Tubing with a durometer of 50-55 Shore A.

This type of silicone tubing is commonly used in medical applications such as drug dispensing, urinary collection systems, dialysis equipment, IV systems, on the waste side of instrumentation, and countless other applications.

- 具良好彈性 Excellent flexibility
- 低耗電 Low power consumption
- 容易消毒 Easily sterilized
- 不含有機增塑劑、鄰苯二甲酸鹽或乳膠添加劑  
Contains no organic plasticizers, phthalates, or latex additives
- 無過氧化物固化氯苯基或 PCB 副產品  
No peroxide cure chlorophenyl or PCB by-products
- 超過 USP VI 級塑料測試 Exceeds USP Class VI plastic tests
- 符合 ISO 10993 準則可用於身體接觸應用  
Meets ISO 10993 guidelines for body contact applications
- 按照 FDA 21 CFR 210/211 cGMP 的原則製造，用於藥品  
Manufactured to the principles of FDA 21 CFR 210/211 cGMP for Pharmaceutical
- 由 FDA 註冊 (CFN 1816403) 生產並檢查醫療機構  
Produced in an FDA-registered (CFN 1816403) and inspected healthcare facility

## 產品規格 SPECIFICATIONS

材質 Material	鉑金固化矽 Platinum-cured silicone
硬度 Durometer Hardness	50 Shore A
斷裂拉伸強度 Tensile Strength at Break	1388 psi
斷裂伸長率 Elongation at Break	815%
200%的模量 Modulus at 200%	299 psi
撕裂強度 Tear Strength	263 ppi

## 訂購型號 Order Number

型號 Part Number	內徑 Tubing I.D.	外徑 Tubing O.D.	壓力 Pressure(psi)
PCT-0604-M	4	6	20
PCT-0805-M	5	8	20



**Kao Lu Enterprises Co., Ltd. TEL:886-4-24874219 · 24860626**  
**Genn Dih Enterprises Co., Ltd. FAX:886-4-24864269 · 24862824**  
**Web:www.genndih.com E-mail:genndih@ms43.hinet.net**  
**No. 17, Lane 822, Sec. 2, Zhongxing Rd., Dail Dist., Taichung City 41244, Taiwan(R.O.C)**