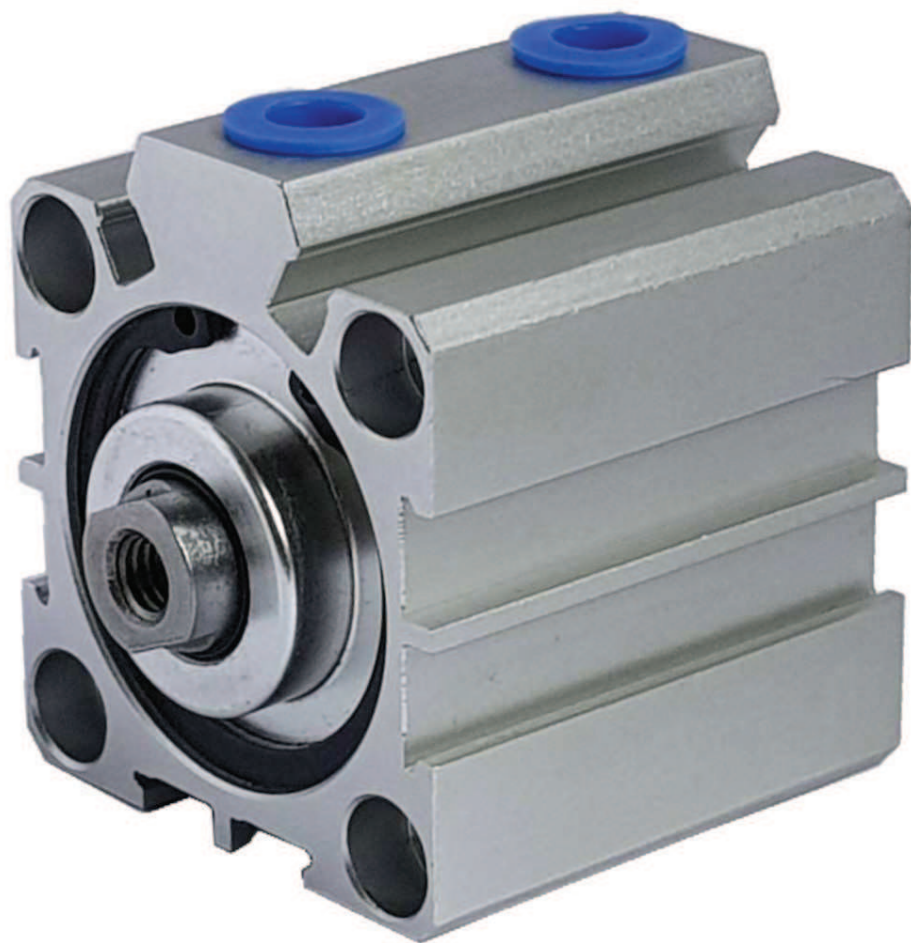


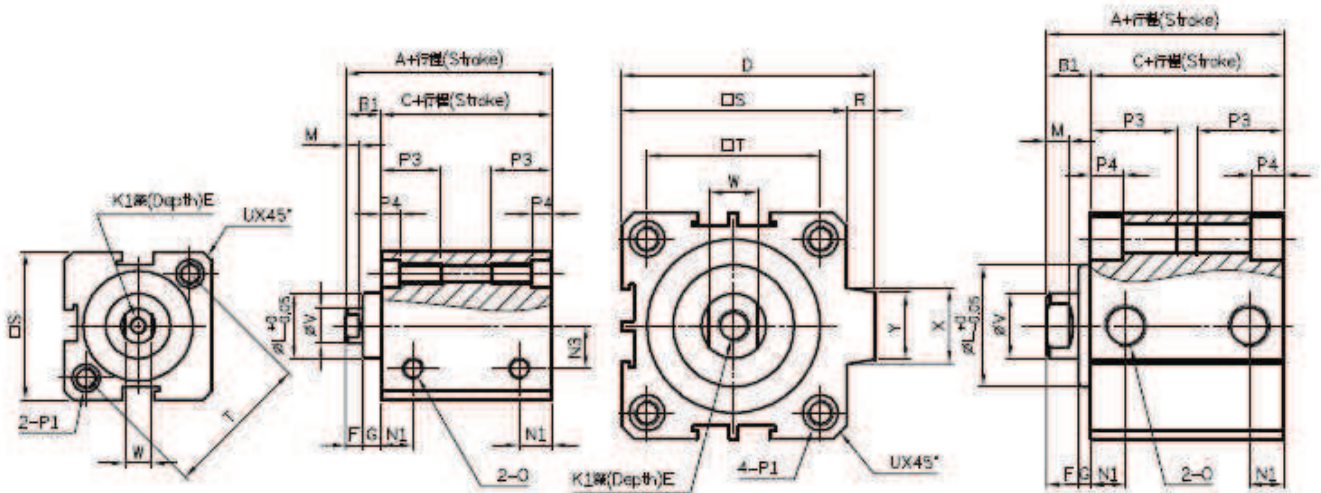


SDA Series Cylinder



SDA/SDAS(附磁)

Standard & With/Without Magnet
SDA(Standard)/SDAS(with magnet)



$\varnothing 12 \sim \varnothing 16$

$\varnothing 20 \sim \varnothing 100$

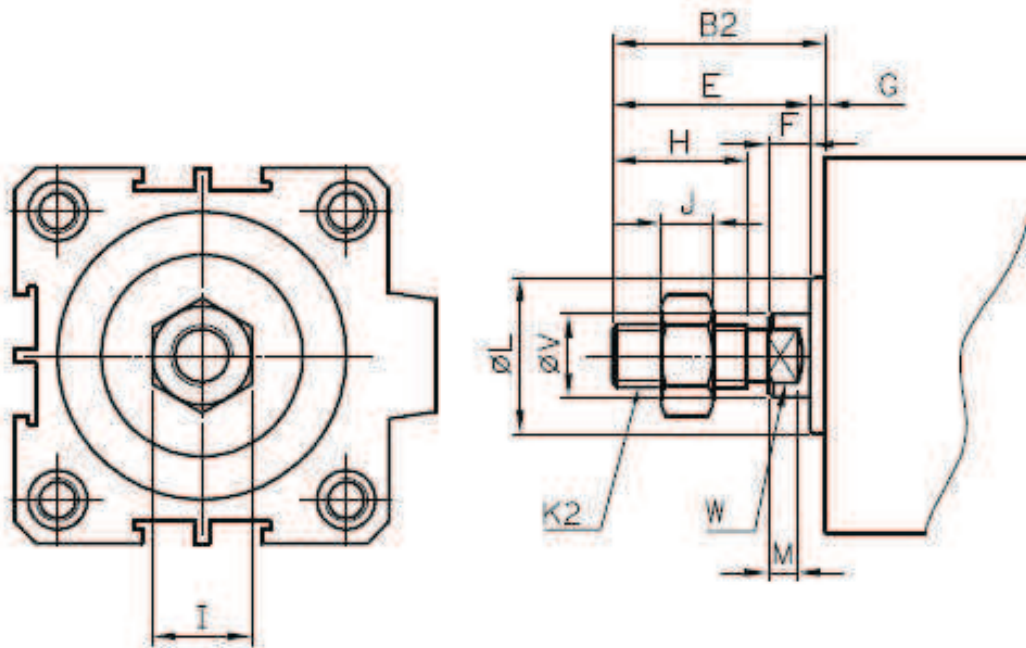
Type	Standard Type			Attach Magnet			D	E		F	G	K1	L	M	N1
	A	B1	C	A	B1	C		S \leq 10	S > 10						
12	22	5	17	32	5	27	-	6	4	1	M3*0.5	10.2	2.8	6.3	
16	24	5.5	18.5	34	5.5	28.5	-	6	4	1.5	M3*0.5	11	2.8	7.3	
20	25	5.5	19.5	35	5.5	29.5	36	8	4	1.5	M4*0.7	15	2.8	7.5	
25	27	6	21	37	6	31	42	10	4	2	M5*0.8	17	2.8	8	
32	31.5	7	24.5	41.5	7	34.5	50	12	4	3	M6*1.0	22	2.8	9	
40	33	7	26	43	7	36	58.5	12	4	3	M8*1.25	28	2.8	10	
50	37	9	28	47	9	38	71.5	15	5	4	M10*1.5	38	2.8	10.5	
63	41	9	32	51	9	42	84.5	15	5	4	M10*1.5	40	2.8	15	
80	52	11	41	62	11	51	104	15	20	6	5	M14*1.5	45	4	21
100	63	12	51	73	12	61	124	18	20	7	5	M18*1.5	55	4	17

Dia	N3	O	P1	P3	P4	R	S	T	U	V	W	X	Y
12	6	M5*0.8	BS: $\varnothing 6.5$ C:M5*0.8 P : $\varnothing 4.2$	12	45	-	25	23	1.6	6	5	-	-
16	6.5	M5*0.8	BS: $\varnothing 6.5$ C:M5*0.8 P : $\varnothing 4.2$	12	4.5	-	29	28	1.6	6	5	-	-
20	-	M5*0.8	BS: $\varnothing 6.5$ C:M5*0.8 P : $\varnothing 4.2$	12	4.5	2	34	24	2.1	8	6	11.3	10
25	-	M5*0.8	BS: $\varnothing 8.2$ C:M6*1.0 P : $\varnothing 4.6$	15	5.5	2	40	28	3.1	10	8	12	10
32	-	PT 1/8	BS: $\varnothing 8.2$ C:M6*1.0 P : $\varnothing 4.6$	16	5.5	6	44	34	2.15	12	10	18.3	15
40	-	PT 1/8	BS: $\varnothing 10$ C:M8*1.25 P : $\varnothing 6.5$	20	7.5	6.5	52	40	2.25	16	14	21.3	16
50	-	PT 1/4	BS: $\varnothing 10$ C:M8*1.25 P : $\varnothing 6.5$	25	8.5	9.5	62	48	4.15	20	17	30	20
63	-	PT 1/4	BS: $\varnothing 10$ C:M8*1.25 P : $\varnothing 6.5$	25	8.5	9.5	75	60	3.15	20	17	28.7	20
80	-	PT 3/8	BS: $\varnothing 14$ C:M12*1.75 P : $\varnothing 9.2$	25	10.5	10	94	74	3.65	25	22	36	26
100	-	PT 3/8	BS: $\varnothing 17.5$ C:M14*2.0 P : $\varnothing 11.3$	30	13	10	114	90	3.65	32	27	35	26

S: Stroke
BS: Both sides
C: Cong
P: Ports

SDA(外牙)

Size Of Male Thread



Dia	B2	E	F	G	H	I	J	M	L	V	K2	W
12	17	16	4	1	10	8	4	2.8	10.2	6	M5*0.8	5
16	17.5	16	4	1.5	10	8	4	2.8	11	6	M5*0.8	5
20	20.5	19	4	1.5	13	10	5	2.8	15	8	M6*1.0	6
25	23	21	4	2	15	12	6	2.8	17	10	M8*1.25	8
32	25	22	4	3	15	17	6	2.8	22	12	M10*1.25	10
40	35	32	4	3	25	19	8	2.8	28	16	M14*1.5	14
50	37	33	5	4	25	27	11	2.8	38	20	M18*1.5	17
63	37	33	5	4	25	27	11	2.8	40	20	M18*1.5	17
80	44	39	6	5	30	32	13	4	45	25	M22*1.5	22
100	50	45	7	5	35	36	13	4	55	32	M26*1.5	27