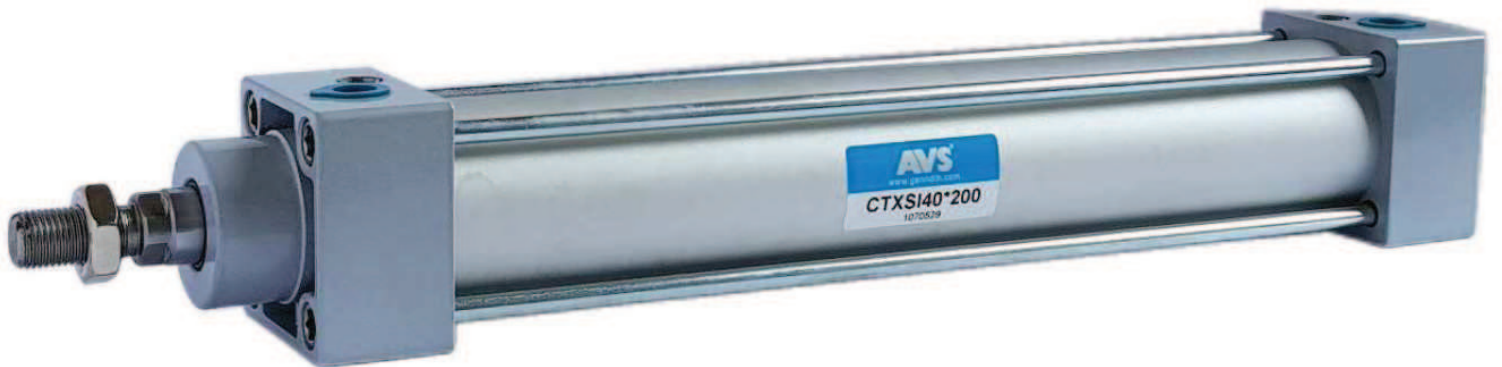


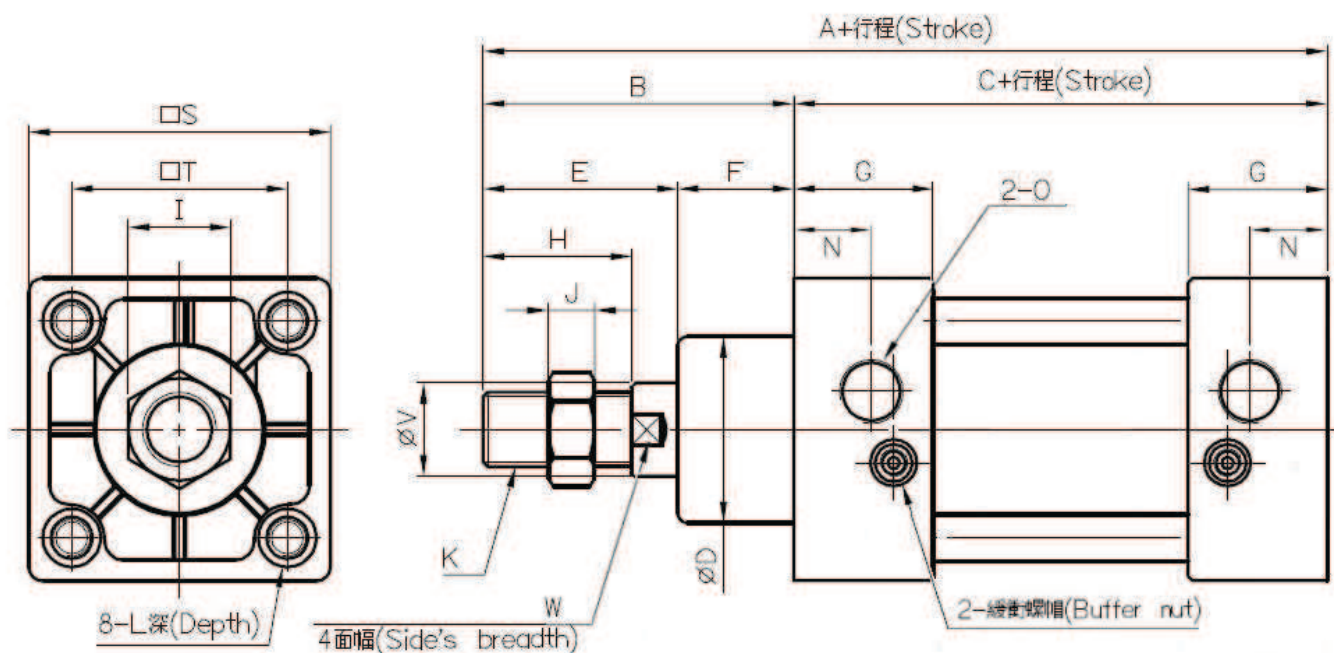


SI Series Cylinder



SI 系列標準氣缸

SI Series Cylinder ISO6431: Round Tube & Mickey Mouse Tube

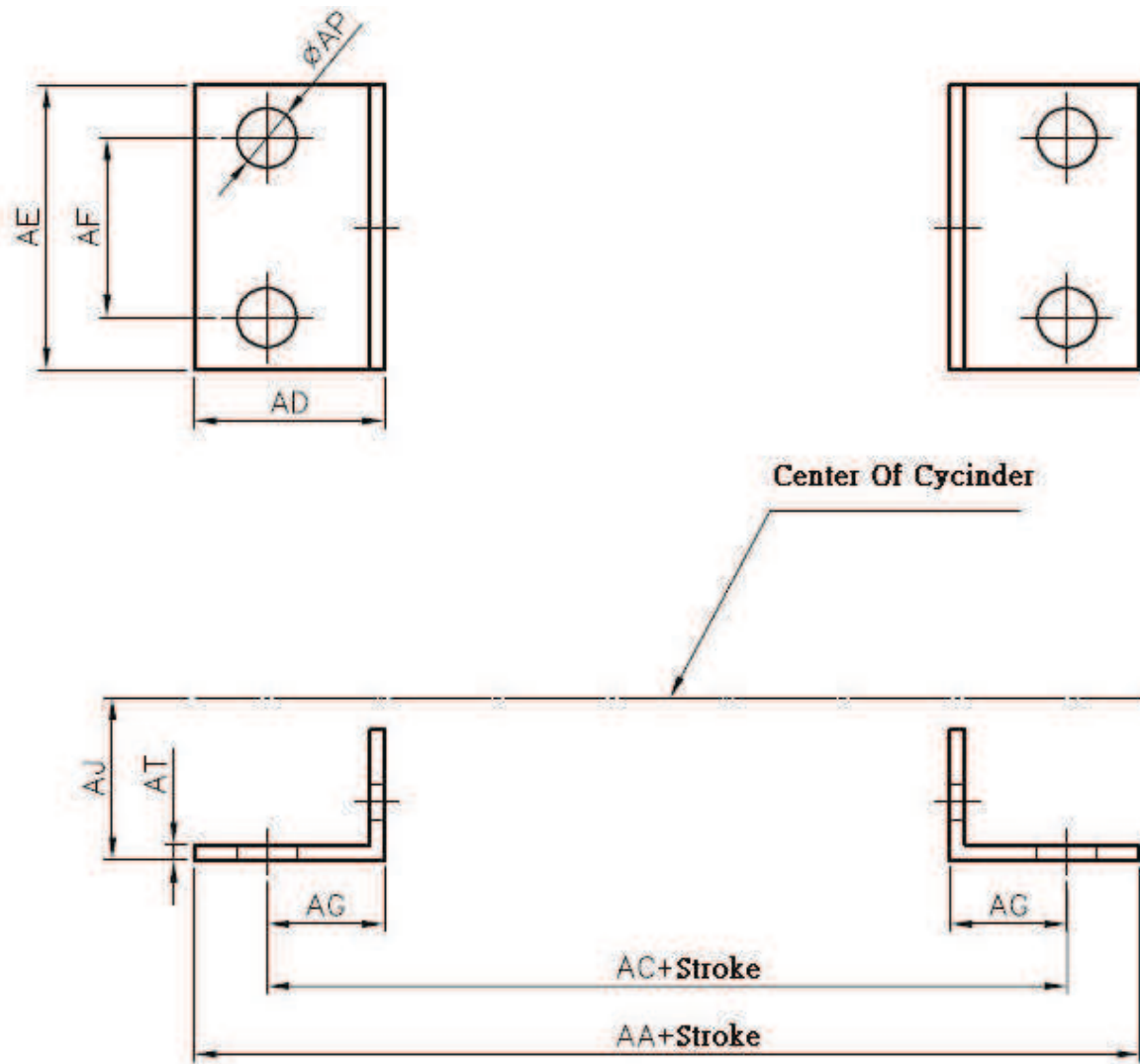


Dia	A	B	C	D	E	F	G	H	I	J
32	142	48	94	30	32	16	27.5	22	17	6
40	159	54	105	35	36	18	29	24	19	7
50	175	69	106	40	44	25	30	32	24	8
63	190	69	121	45	45	24	31	32	24	8
80	214	86	128	45	56	30	35	40	30	10
100	229	91	138	55	59	32	36	40	30	10
125	279	119	160	60	74	45	46	54	35	11
160	332	152	180	65	94	58	50	72	49	14
200	347	167	180	75	110	57	50	72	49	14

Dia	K	L	N	O	S	T	V	W
32	M10*1.25	M6*1.0	13.5	PT 1/8	47	32.5	12	10
40	M12*1.25	M6*1.0	16	PT 1/4	53	38	16	13
50	M16*1.5	M8*1.25	18.5	PT 1/4	65	46.5	20	17
63	M16*1.5	M8*1.25	19	PT 3/8	75	56.5	20	17
80	M20*1.5	M10*1.5	19	PT 3/8	95	72	25	22
100	M20*1.5	M10*1.5	18	PT 1/2	115	89	25	22
125	M27*2.0	M12*1.75	23	PT 1/2	140	110	32	27
160	M36*2.0	M16*2.0	25	PT 3/4	180	140	40	36
200	M36*2.0	M16*2.0	25	PT 3/4	220	175	40	36

SI 附件 LB

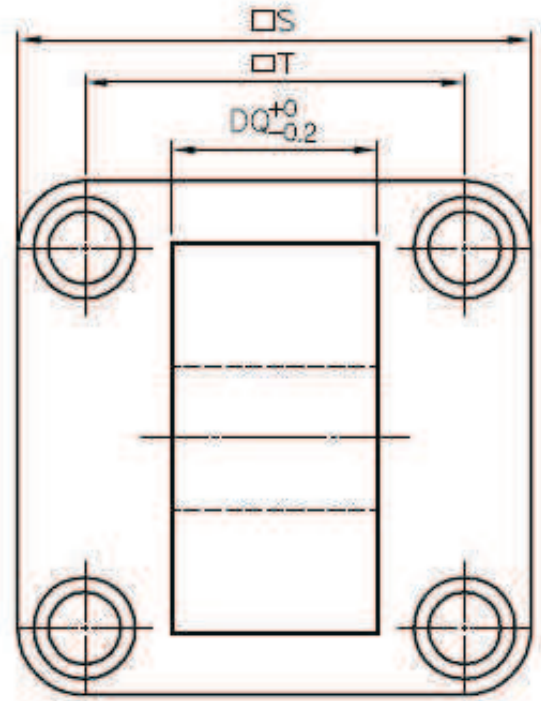
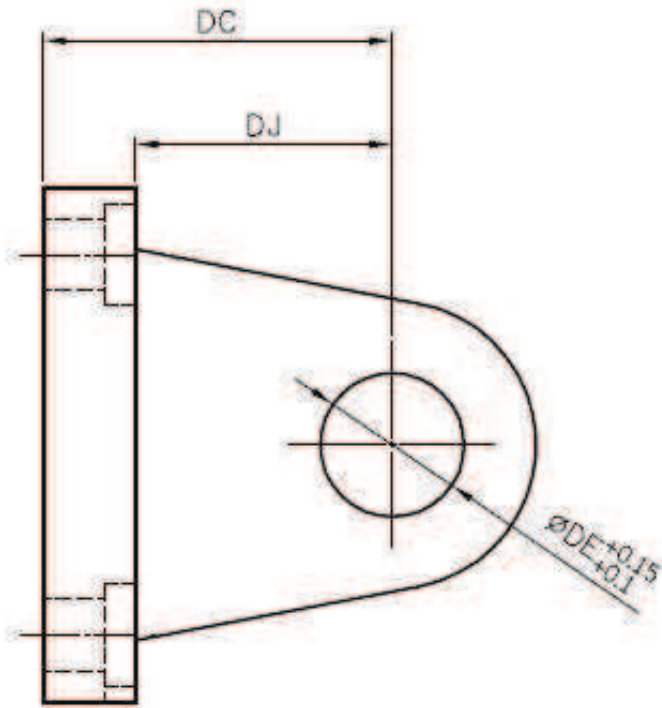
SI Accessory: LB Foot Mounts



Dia	AA	AC	AD	AE	AF	AG	AJ	AP	AT
32	156	139	31	46.5	32	22.5	32	7	4
40	181	160	38	52.5	36	27.5	36	9	4
50	188	169	41	65	45	31.5	45	9	4
63	203	182	41	75	50	30.5	50	9	4
80	236	210	54	95	63	41	63	12	5
100	250	220	56	115	75	41	71	14	5
125	286	250	63	140	90	45	90	16	6
160	344	300	82	180	115	60	115	18	8
200	382	319	101	220	135	69.5	135	23	9

SI 附件 CA

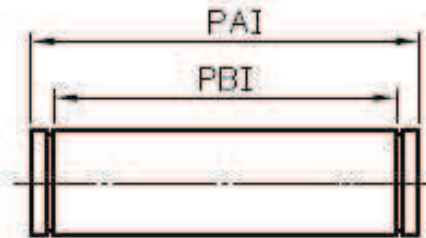
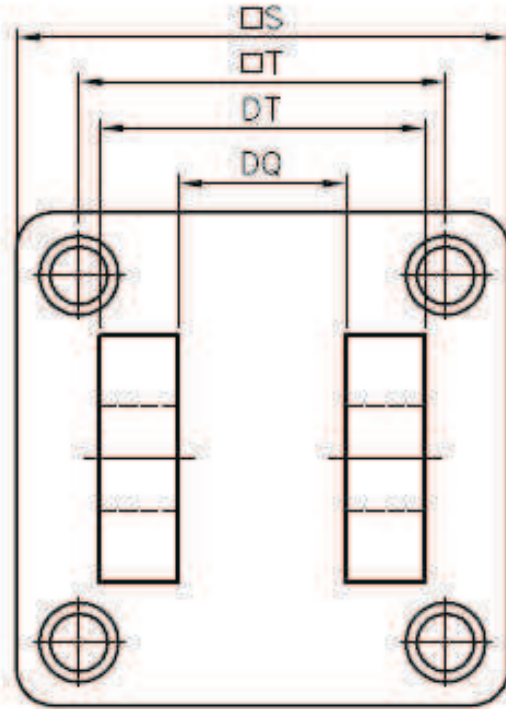
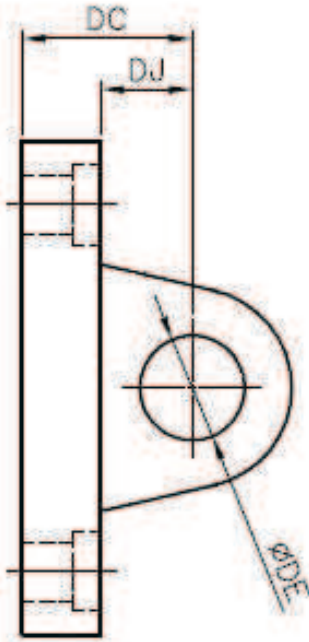
SI Accessory: CA Male Trunnion



Dia	S	T	DC	DE	DJ	DQ
32	45	32.5	22	10	13	25.8
40	52	38	25	12	16	27.8
50	65	46.5	27	12	16	31.7
63	75	56.5	32	16	21	39.7
80	95	72	36	16	27	49.7
100	115	89	41	20	32	60
125	140	110	50	25	35	69.7
160	176	140	55	30	21	34
200	220	175	60	38	24	36

SI 附件 CB

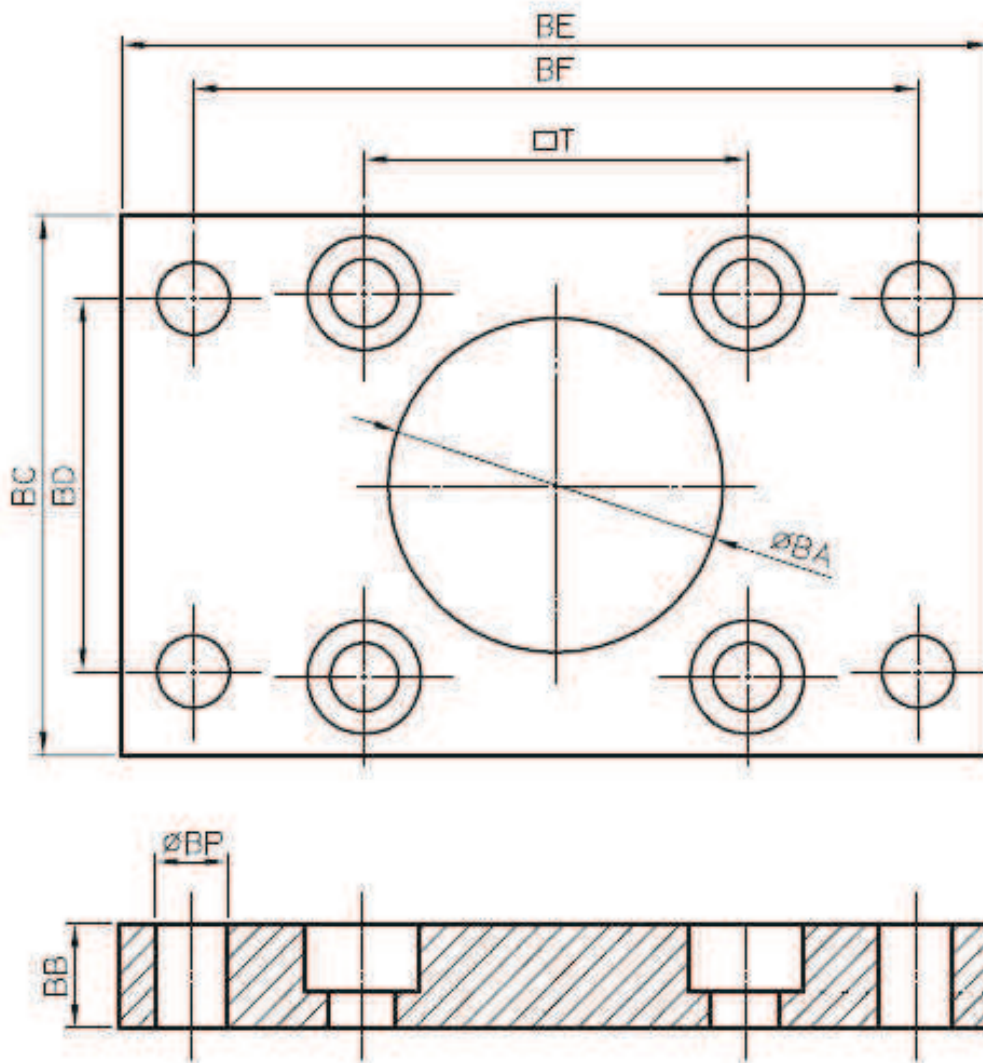
SI Accessory: CB Female Trunnion



Dia	S	T	DC	DE	DJ	DT	DQ	PAI	PBI
32	45	32.5	22	10	13	45	26	51	45.5
40	52	38	24	12	15	52	28	59	52.5
50	65	46.5	27	12	17	60	32	66.5	60.5
63	75	56.5	32	16	21	70	40	77	70.5
80	95	72	36	16	22	90	50	99	90.5
100	115	89	41	20	27	110	60	119	110.5
125	140	110	50	25	31	130	70	138	130.5
160	176	140	55	30	34	164	91	175	166
200	220	175	60	30	24	175	90	186	176

SI 附件 FA

SI Accessory: FA Flange



Dia	BA	BB	BC	BD	BE	BF	BP	T
32	31.5	10	47.5	32	80	64	7	32.5
40	35.5	10	53.5	36	90	72	9	38
50	40.5	12	65	45	110	90	9	46.5
63	45.5	12	75	50	125	100	9	56.5
80	45.5	16	95	63	154	126	12.5	72
100	55.5	16	115	75	186	150	14.5	89
125	60.5	20	140	90	224	180	16.5	110
160	65.5	21.5	180	115	280.5	230	18	140
200	75	25	220	135	320	270	22	175

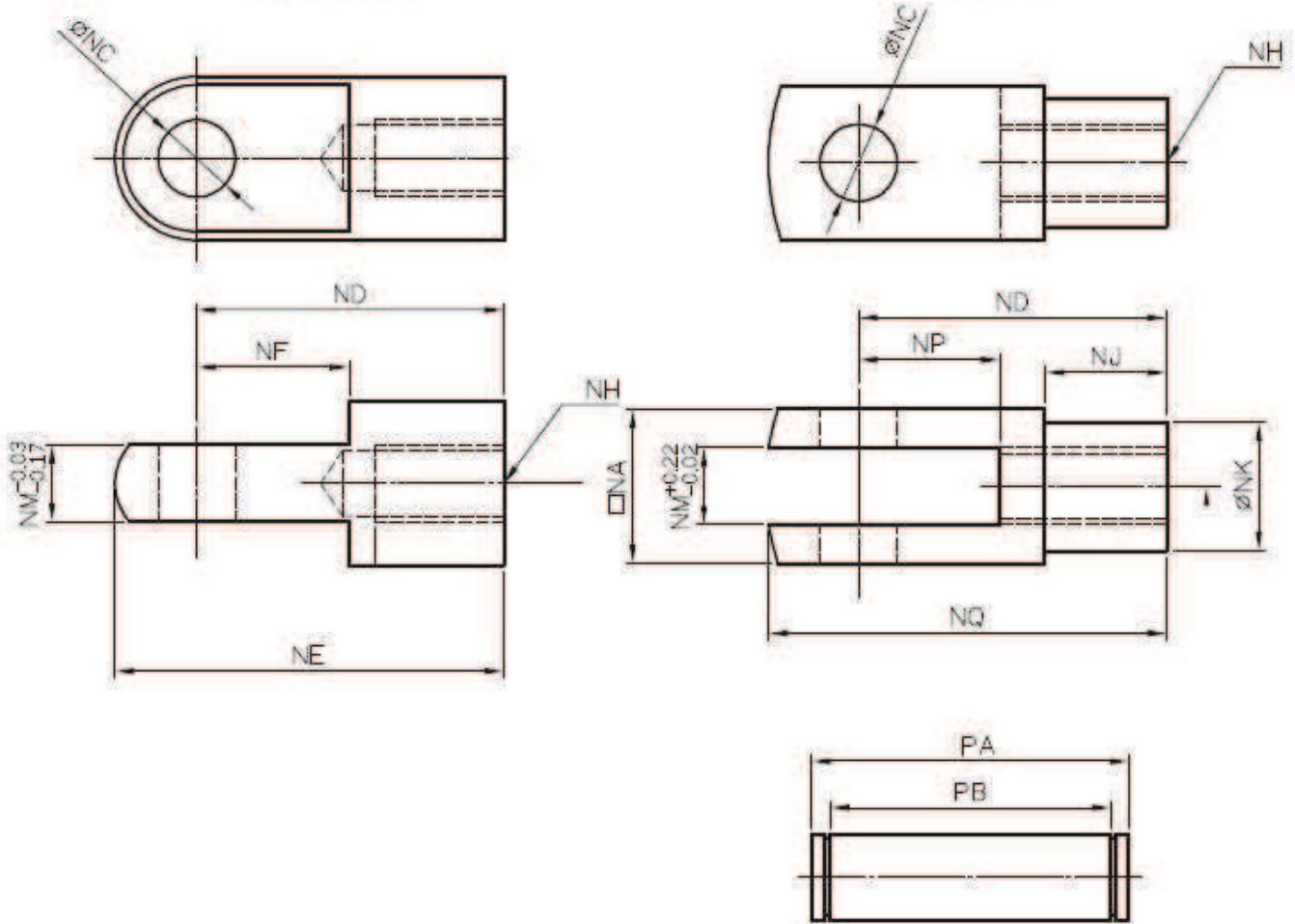
SI 附件 I&Y 接頭

SI Accessory: Rod I End & Rod Fork End



I 接頭

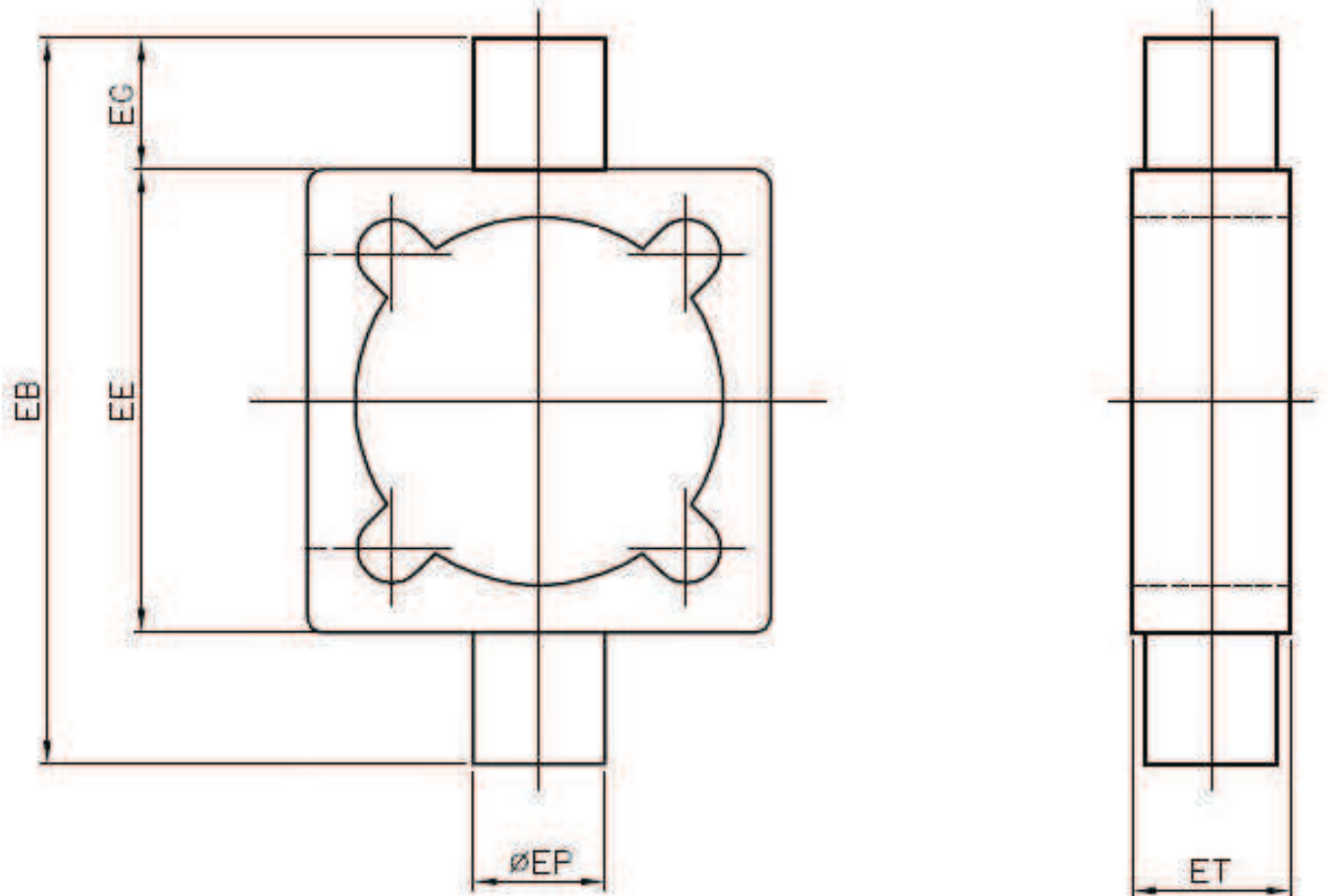
Y 接頭



Dia	NA	NC	ND	NE	NF	NH	NJ	NK	NM	NP	NQ	PA	PB
32	20	10	40	48.5	19	M10*1.25	15	18	10.4	21	52	26.5	20.5
40	24	12	48	60	24	M12*1.25	18	20	12.2	24	62	30	24.5
50	32	16	64	79	32	M16*1.5	24	27	16.2	32	83.5	39.5	33
63	32	16	64	79	32	M16*1.5	24	27	16	32	83.5	39.5	33
80	40	20	80	100	37	M20*1.5	30	35	20	40	105	48	41
100	40	20	80	100	37	M20*1.5	30	35	20	40	105	48	41
125	55.3	30	111	-	-	M27*2.0	36	42	30.3	57	147	65	56
160	70	35	144	205	48	M36*2.0	54	60	35	72	188	83	70
200	70	35	144	205	48	M36*2.0	54	60	35	72	188	83	70

SI 附件 TC

**SI Accessory: TC Center Trunnion
For Mickey Mouse Tube**



Dia	EB	EE	EG	EP	ET
32	100	52	24	12	20
40	113	63	25	16	22
50	125	75	25	16	22
63	140	90	25	20	28
80	160	104	28	20	28
100	182	128	27	25	34