



產品特色 Features

流量大、廣泛用於蒸氣、導熱油等高溫及低溫等流體的控制、耐高溫的線圈，同時進行導熱保護
 Large flow、Used in steam and thermo conductive oil application to control high and low temperature fluid、temperature resistant coil, and provide heat protection.

閥體材質 Body material

鍛銅、不鏽鋼 Brass、Stainless Steel

環境溫度 Ambient temperature

0~65°C

介質溫度 Media temperature

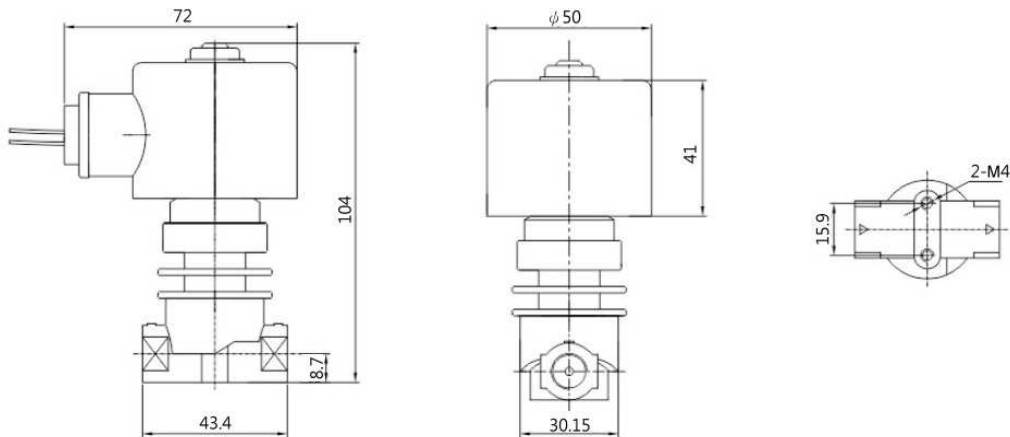
詳見下表 Please refer to the table below.

線圈功率 Coil Power

AC 27VA ; DC 24W

密封件 Seal material

PTFE



口徑 Port	流通徑(mm) Orifice	工作壓力(Bar) OPD			介質溫度 Media temperature	訂購型號 Order number	閥體材質 Body material
		最小 min	最大 AC	最大 max DC			
1/4"	3	0	13	13	低溫(L) -20~-10°C	SLB1-3T-1/4	鍛銅 Brass
1/4"	3	0	13	13		SLB1-3T-1/4-SUS	不鏽鋼 Stainless Steel
3/8"	4	0	7	7	高溫(H) 99~180°C	SLB1-4T-3/8	鍛銅 Brass
3/8"	4	0	7	7		SLB1-4T-3/8-SUS	不鏽鋼 Stainless Steel
1/2"	6	0	4	4		SLB1-6T-1/2	鍛銅 Brass
1/2"	6	0	4	4		SLB1-6T-1/2-SUS	不鏽鋼 Stainless Steel



產品特色 Features

流量大、廣泛用於蒸氣、導熱油等高溫及低溫等流體的控制、耐高溫的線圈，同時進行導熱保護
Large flow、Used in steam and thermo conductive oil application to control high and low temperature fluid、temperature resistant coil, and provide heat protection.

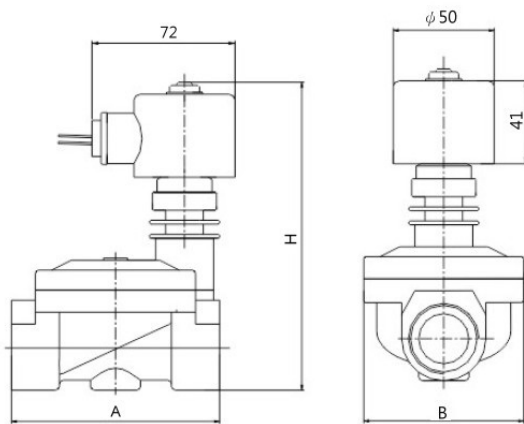
閥體材質 Body material 鍛銅、不鏽鋼 Brass、Stainless Steel

環境溫度 Ambient temperature 0~65°C

介質溫度 Media temperature 詳見下表 Please refer to the table below.

線圈功率 Coil Power AC 27VA；DC 24W

密封件 Seal material PTFE



口徑 Port	A	B	H
3/8"	75	52	136
1/2"	74	52	136
3/4"	80	58	141
1"	104	80	152
1"1/4	130	92	173
1"1/2	130	90	173

口徑 Port	流通徑(mm) Orifice	工作壓力(Bar) OPD			介質溫度 Media temperature	訂購型號 Order number	閥體材質 Body material
		最小 min	最大 AC	最大 DC max			
3/8"	13	1	15	10	低溫(L) -20~-10°C 高溫(H) 99~180°C	SLB1-13T-3/8	鍛銅 Brass
3/8"	13	1	15	10		SLB1-13T-3/8-SUS	不鏽鋼 Stainless Steel
1/2"	13	1	15	10		SLB1-13T-1/2	鍛銅 Brass
1/2"	13	1	15	10		SLB1-13T-1/2-SUS	不鏽鋼 Stainless Steel
3/4"	20	1	15	10		SLB1-20T-3/4	鍛銅 Brass
3/4"	20	1	15	10		SLB1-20T-3/4-SUS	不鏽鋼 Stainless Steel
1"	25	1	15	10		SLB1-25T-1"	鍛銅 Brass
1"	25	1	15	10		SLB1-25T-1"-SUS	不鏽鋼 Stainless Steel
1"1/4	32	1	15	10		SLB1-32T-1"1/4	鍛銅 Brass
1"1/4	32	1	15	10		SLB1-32T-1"1/4-SUS	不鏽鋼 Stainless Steel
1"1/2	40	1	15	10		SLB1-40T-1"1/2	鍛銅 Brass
1"1/2	40	1	15	10		SLB1-40T-1"1/2-SUS	不鏽鋼 Stainless Steel