



Closed-Loop Air Flow Controller

1000 sL/min

FC1500AKMF1500



Features

- ◆ Compact
- ◆ High Precision
- ◆ High Sensitivity
- ◆ High Resolution

Applications

- ◆ Semiconductor equipment
- ◆ Cooling Machines
- ◆ Dynamic Flow Rate Control

Product Description

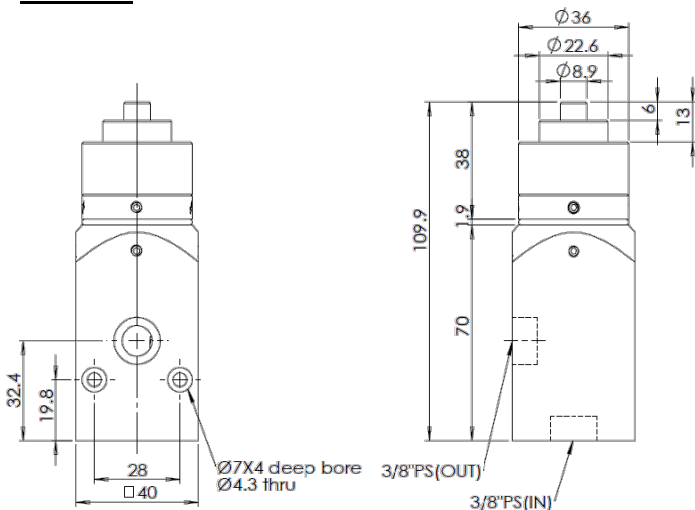
The FC1500AKMF1000 series consist of a proportional flow control valve FC1500 and a MEMS gas flow meter. FC1500 is a highly refined needle valve driven by a micro step stepper motor. Turndown ratio can reach up to 400: 1, with high accuracy, repeatability, and hysteresis. The FC valve is compatible with air, water, and oil. It has a selection of Viton or FFKM O-ring, and body material can be aluminum or stainless steel.

The MEMS gas flow meter features quick response time and high accuracy. It is compatible and calibrated with air. It has exceptional stable output signal and low power consumption. The combination of flow meter with FC valve provides a outstanding performance on high flow control with high resolution.

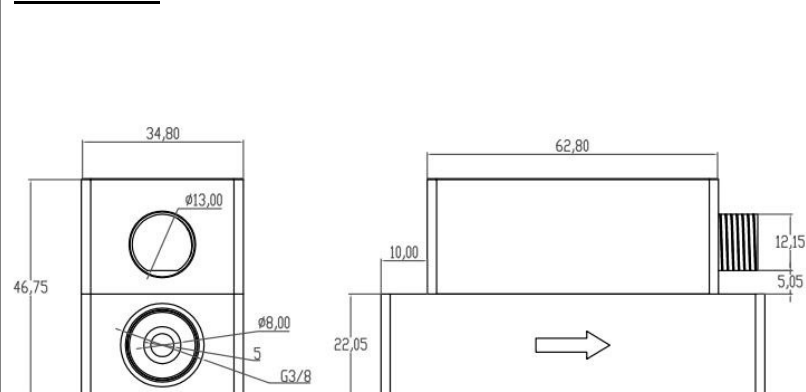
All our products have CE, SGS, RoHS certification with ISO13485 quality system.

Overall Dimension

FC1500



KMF1500





Closed-Loop Air Flow Controller

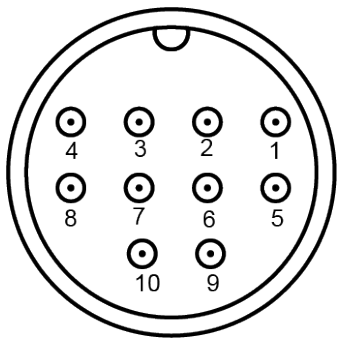
1000 sL/min

FC1500AKMF1500

Specifications

Type	FC1500AKMF
Flow Range(SLPM)	0-25 / 0-50 / 0-250 / 0-1000
Max. Pressure	5 bar (72.5 psig)
Input Signal	0-10V / 0-5V / 4-20mA / RS485
Monitor Output	1-5V / RS485
Supply Power(VDc)	24 VDc(12W)
Medium	Clean compressed air or with 5 μm filter
Accuracy	±1.5% F.S
Repeatability	0.025%
Valve Resolution	0.5 L/min *inlet pressure 1bar(14.5psi)
Turndown Ratio	100:1
Display	SLPM(Instant Flow) / SL(Accum Flow)
Temp.	10~65°C (Fluid)
	-25~85 °C (Ambient)
Port	G3/8"
Manifold Material	Aluminum
Wetted Materials	Aluminum, Viton
Electrical Connection	EDZ1550/4
Calibration	Air, 20°C, 101.325kPa

Wiring



No.	Color	Function
1	Red	24V DC Power (+)
2	Black	24V DC Power (-) Command(-)
3	Blue	RS485(+)
4	Green	RS485(-)
5	Yellow	Output monitor 1-5V out
7	White	Command(+) 0-5V Command(+) 0-10V
8	Gray	Command(+) 4-20mA