

KLSV Series

Dual & Triple Solenoid Valve



Features

2/2 direct-acting solenoid valve. Selections of dual inlets or triple inlets with one outlet port. Used for switching outputs between multiple inlet fluids. Non-return valves are installed in every inlet ports.

Body material Aluminum

Port G1/2"

Orifice 10mm

Voltage DC 24

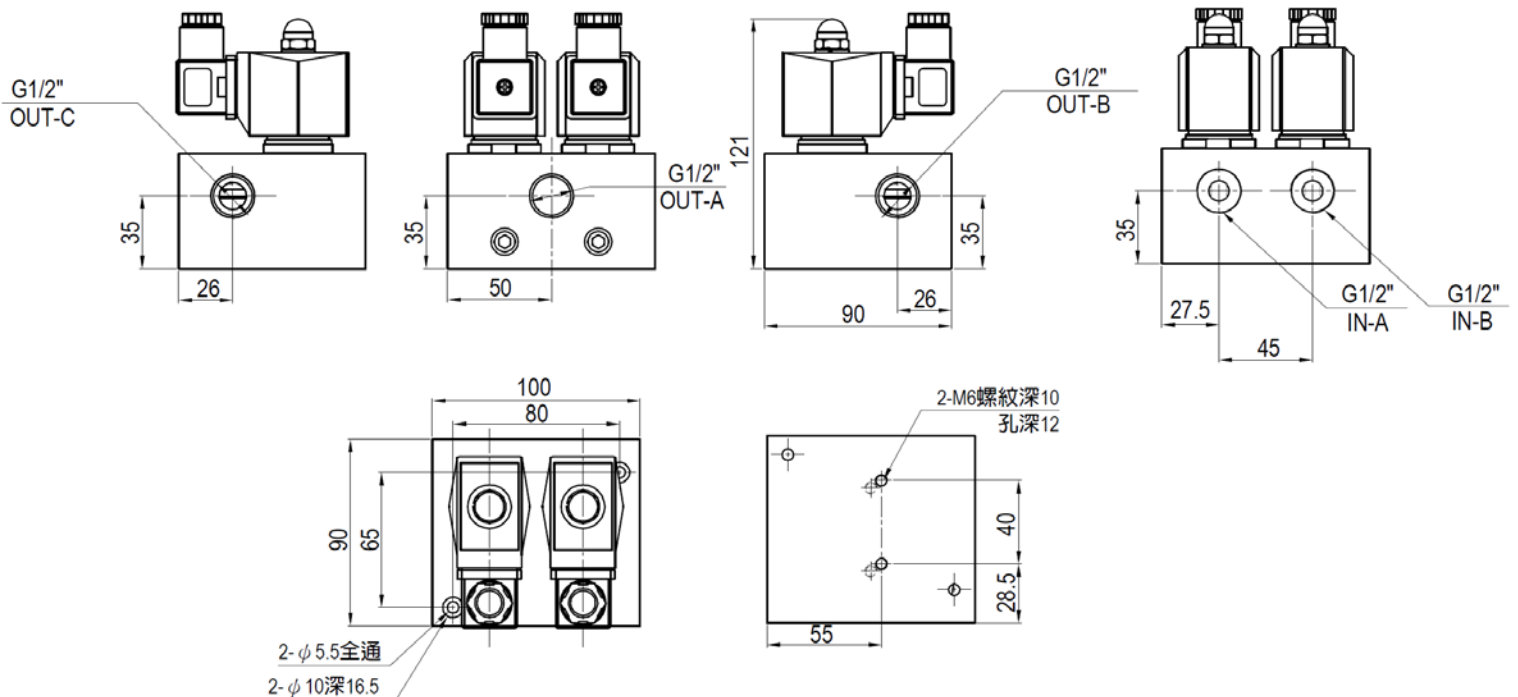
Seal material Viton

Working Pressure 0~35 Bar

Media Inert gas or Oxygen

Overall Dimension

KLSV-2/1-10-24-AL Two inlets one outlet ports



Kao Lu Enterprises Co., Ltd. TEL:886-4-24874219 · 24860626
Genn Dih Enterprises Co., Ltd. FAX:886-4-24864269 · 24862824
Web:www.genndih.com E-mail:genndih@ms43.hinet.net
No. 17, Lane 822, Sec. 2, Zhongxing Rd., Dail Dist., Taichung City 41244, Taiwan(R.O.C)

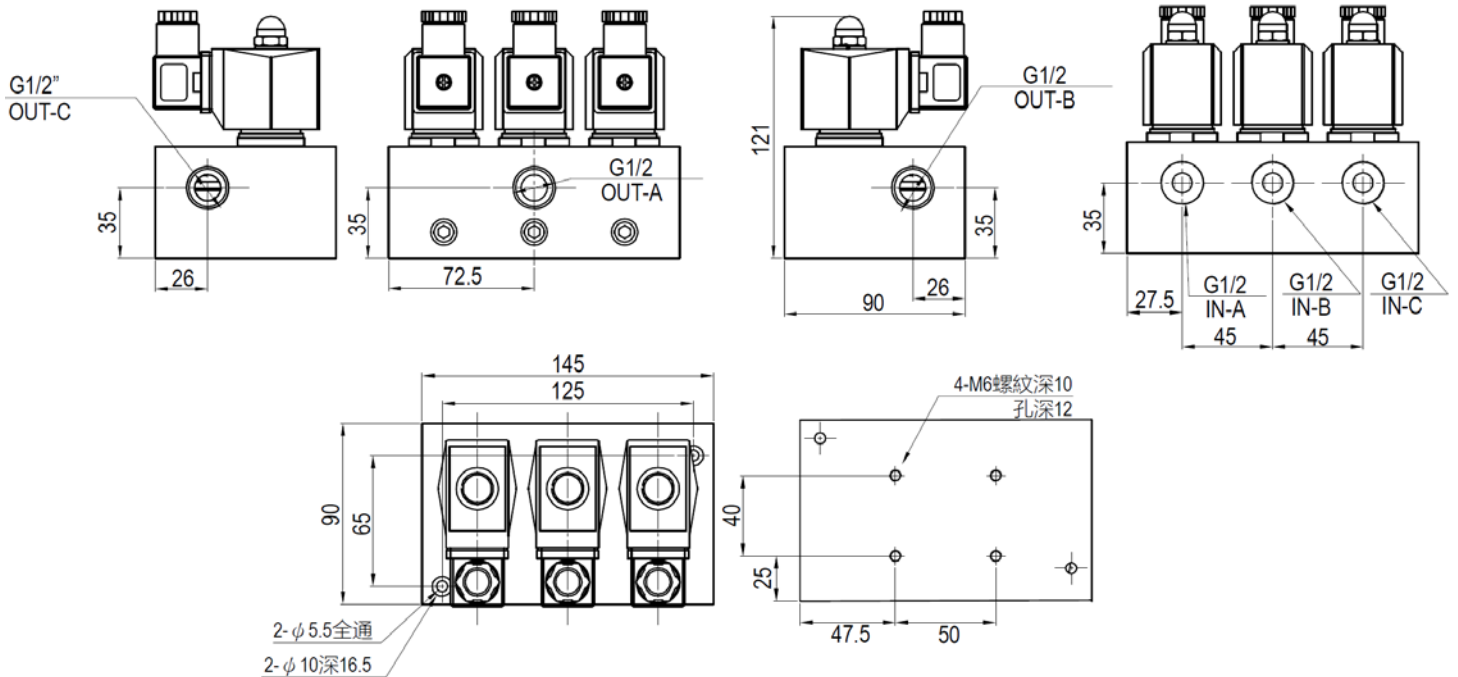
KLSV Series

Dual & Triple Solenoid Valve



Overall Dimension

KLSV-3/1-10-24-AL Three inlets one outlet ports



Kao Lu Enterprises Co., Ltd. TEL:886-4-24874219 · 24860626
Genn Dih Enterprises Co., Ltd. FAX:886-4-24864269 · 24862824
Web:www.genndih.com E-mail:genndih@ms43.hinet.net
No. 17, Lane 822, Sec. 2, Zhongxing Rd., Dail Dist., Taichung City 41244, Taiwan(R.O.C)