

Proportional Pressure Regulator

QKL-B1H



Features

- ◆ Compact
- ◆ High Precision
- ◆ High Sensitivity
- ◆ Fast Response Time
- ◆ Ultra-High Resolution 0.01 psig
- ◆ Ultra-High Speed available 100msec

Industrial application

- ◆ Laser Cutting Machine
- ◆ Leak Tester
- ◆ Tension Control
- ◆ PET bottle molding machine
- ◆ Multi-Stage Pressure Control

Product Description

This series is a complete closed loop servo system consisting of two solenoid valves, an internal pressure transducer, and electronic controls. Based the input of analog signal, the solenoid valve on one side is used to control the air intake, another side is used to control the air exhaust. Then the pressure is measured by the sensor and fed back to the electronic circuit control to reach precise pressure control.

Based the input of analog signal, the solenoid valve on one side is used to control the air intake, another side is used to control the air exhaust. Then the pressure is measured by the sensor and fed back to the electronic circuit control to reach precise pressure control.

The input signal and command signal of our proportional flow control valve all provide 0-10VDC, 4-20mA or RS485 ModBus communication to select. This proportional valve is unique in the industry with low pressure and large flow, with a maximum flow of 5600L/min (200 scfm), and is widely used in various industries. All our products have CE, SGS, RoHS certification with ISO13485 quality system.

Proportional Pressure Regulator

QKL-B1H



Specifications

Type	B1H
Input Signal	0-10V / 4-20mA / RS485
Output Range	1-120 psi
Supply Pressure Max	9 bar (131 psi)
Monitor Output	0-10V / 4-20mA / RS485
Supply	DC24V ($\leq 4W$)
Response	1S
Medium	Clean compressed air or with 5 μm filter
Repeatability	$\pm 0.25\%$ F.S.
Hysteresis	$\pm 0.25\%$ F.S.
Linearity	$\pm 0.3\%$ F.S.
Accuracy	$\pm 0.3\%$ F.S.
Sensitive	0.1bar
Flow Rate	5600L/min @ 8bar
Temp. Range(Operating)	0 ~ 70 °C (0 ~ 158 °F)
Port Size	G 1/2"
Manifold Material	Aluminum
Wetted Materials	Aluminum, Stainless steel, NBR
Mounting Bracket Material	Galvanized steel
Electrical Connection	M12 Connector(2m)
Ingress Protection	IP 65
Weight	1600 g

Ordering Code

QKL - - - - -

Type

B1H	Internal Feedback	G 1/2"
-----	-------------------	--------

Input Signal

*E	0 - 10 V
A	4 - 20 mA
R	RS485 Modbus

Monitor Output

C	0 - 10 V
A	4 - 20 mA
R	RS485 Modbus

Mounting Bracket

M	M type
---	--------

Display Unit

S	Psi
U	bar

*For Command Signal type 0-10V, the minimum driving current is 3mA.

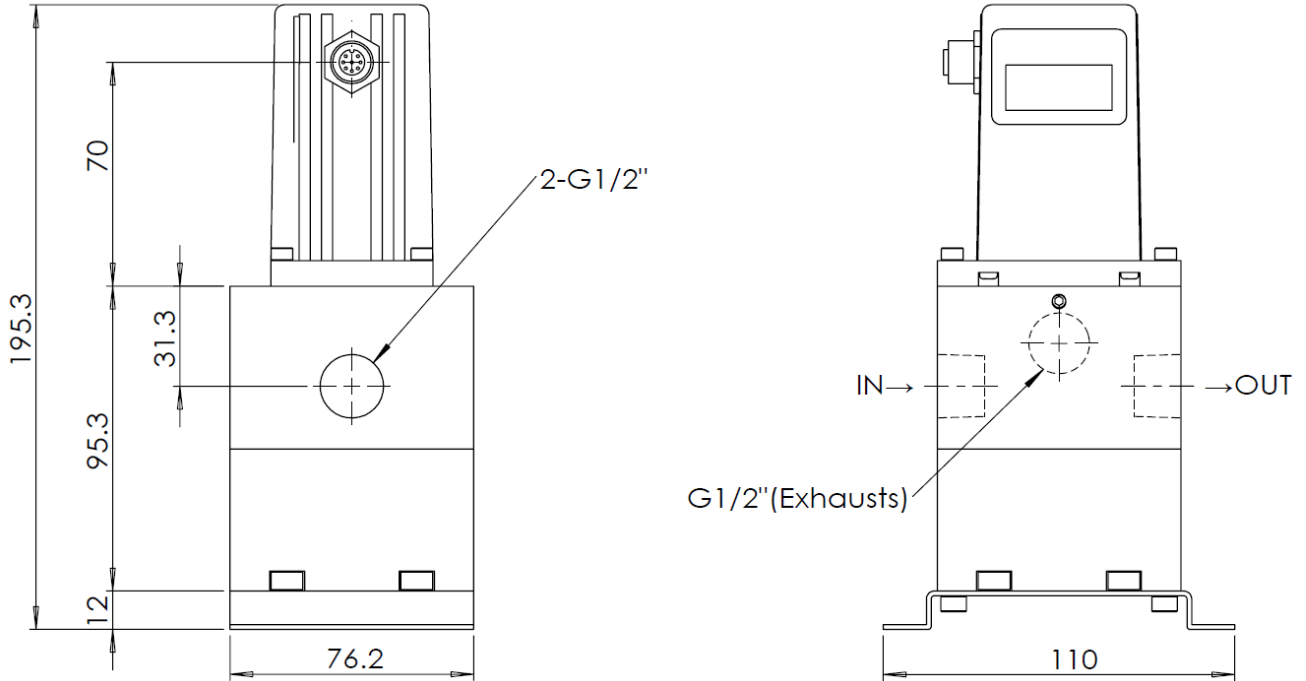
Proportional Pressure Regulator

QKL-B1H

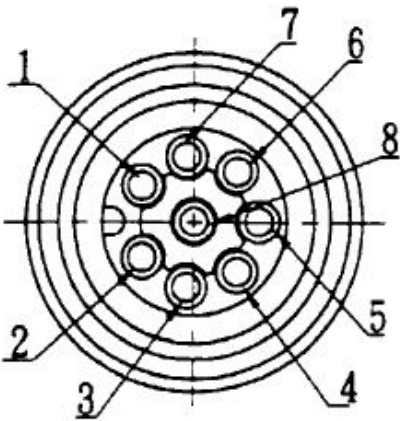


Overall Dimension

◆QKL-B1H



Wiring Description



The wiring diagram shows from top view

No.	Color	Function
1	Blue	24V DC Power (-) Command (-) Output monitor (-)
2	Brown	24V DC Power (+)
3	Black	Monitor output (+)
4	White	0-5 V Command (+) 0-10 V Command (+) 4-20 mA Command (+)
5	Gray	RS485(D-)
6	-	-
7	-	-
8	Red	RS485(D+)



Warning: Do not rotate the connection socket when connected, to avoid damage to the internal sensor.

Proportional Pressure Regulator

QKL-B1H



Product Precautions



Installation

The valve can be mounted in any position. For very low pressure control, works best when mounted upright. And Ensure a minimum closed end volume of 40c.c. to allow proper functioning.



Preparation Before Piping

Before piping is connected, it should be thoroughly blown out with air (flushing) or washed to remove chips, cutting oil and other debris from inside the pipe.

Wrapping of Sealant Tape

When screwing together pipes and fittings, etc., be certain that chips from the pipe threads and sealing material do not get inside the piping. When sealant tape is used, leave 1.5 to 2 thread ridges exposed at the end of the threads.



Operating Environment

1. Do not operate in locations having an atmosphere of corrosive gases, chemicals, sea water, or where there will be contact with the same.
2. In locations where the body is exposed to water, steam, dust, etc., there is a possibility that moisture or dust could enter the body through the EXH port, solenoid valve EXH port and/or built-in regulator EXH port, thereby causing problems.
3. In locations which receive direct sunlight, provide a protective cover etc.
4. In locations near heat sources, block off any radiated heat.
5. Employ suitable protective measures in locations where there is contact with water droplets, oil or welding spatter, etc.



Air Supply

1. Compressed air, nitrogen, oxygen or argon can be used as a fluid.
2. Do not use compressed air which includes chemicals, synthetic oils containing organic solvents, salt, or corrosive gases, etc., as this can cause damage or malfunction.
3. If oxygen is used as the fluid, it can lead to serious and unforeseen risks. However, it is possible to manage and control the risk of hazards and economic loss. In order to use the product safely, it should only be handled by personnel with appropriate knowledge, with support from a suitably qualified specialist.
4. Oxygen gas increases the susceptibility of substances to burning; Oxygen gas can be ignited by frictional heat and static electricity. If oxygen is ignited, the metal and seal materials burn. Therefore, flush the piping thoroughly and mount a suitable filter to prevent foreign matter such as metal powder and dust from entering the product.
5. Take safety measures by installing safety devices (e.g. a circuit that stops the supply of oxygen gas) to prevent fire and explosion in the event of failure, taking flameproof safety standards into consideration.
6. Since there are some exhaust ports on the product, connect the piping in order to exhaust oxygen. Do not block the exhaust port.



Warranty

KaoLu Enterprise Co., Ltd. products are warranted to the original purchaser only against defects in material or workmanship for 6 months from the date of manufacture. The extent of KaoLu's liability under this warranty is limited to repair or replacement of the defective unit at KaoLu's option. KaoLu shall have no liability under this warranty where improper installation or filtration occurred.