

Proportional Pressure Regulator

QKL-B1T+Air Volume Booster



- QKL-B1T Electronic Pressure Regulator

Provides an air pilot signal to the dome of the air volume booster. By controlling pressure to the top of the diaphragm, we control pressure out of the volume booster.

- Air Volume Booster

Also known as a dome-loaded or pilot-operated pressure regulator. This can be a pressure reducing valve or a back pressure valve. We have many volume boosters available that can handle different pressures, medias and flow rates.

Specifications

Type	Proportional Pressure Regulator QKL-B1T					
Input Signal	4-20mA / 0-10V /RS485					
Monitor Output	1-5V / 0-10V / 4-20mA					
Power Supply	DC24V(≤4W)					
Response	0.8S					
Type	Air Volume Booster Type 600/Type 6100					
Output Ratio	1:1	1:2	1:3	1:6	3:1	1:1
Model	600-CA	600-CB	600-CC	600-CD	600-BFU	6100-EA
Port (NPT)	3/8"				1/4"	3/4"
Max. Supply Pressure (psi)	250					
Max. Signal Pressure(psi)	150	75	50	25	150	150
Max. Output Pressure(psi)	150	150	150	150	50	150
Accuracy(%)	1.0	1.12	1.25	2.0	1.0	1.0
Max. Flow (L/min @3bar)	910 L					4200L
Exhaust capacity(Nl/min)	425			283	425	2264

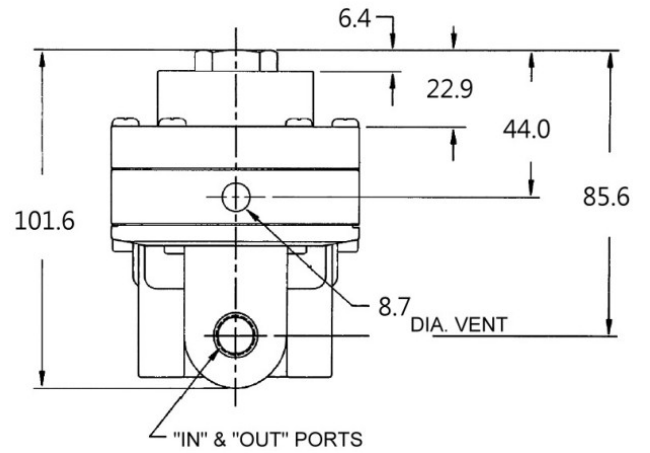
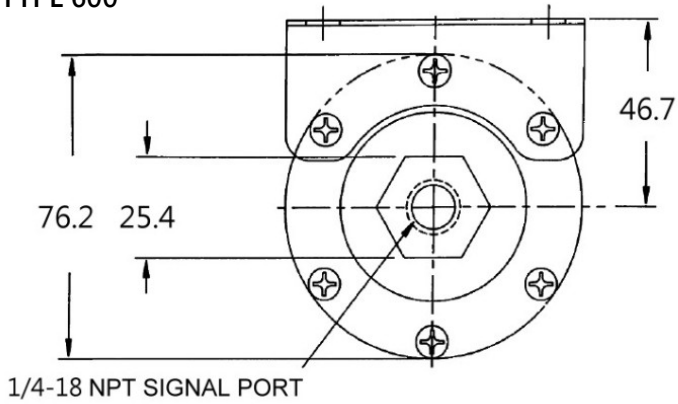
Proportional Pressure Regulator

QKL-B1T+Air Volume Booster

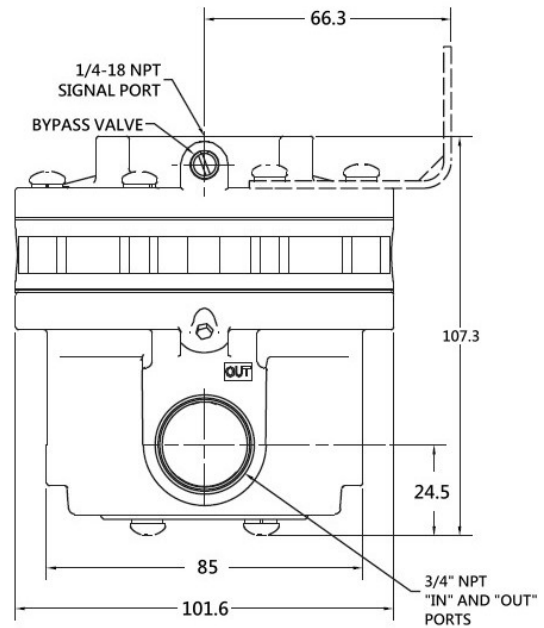
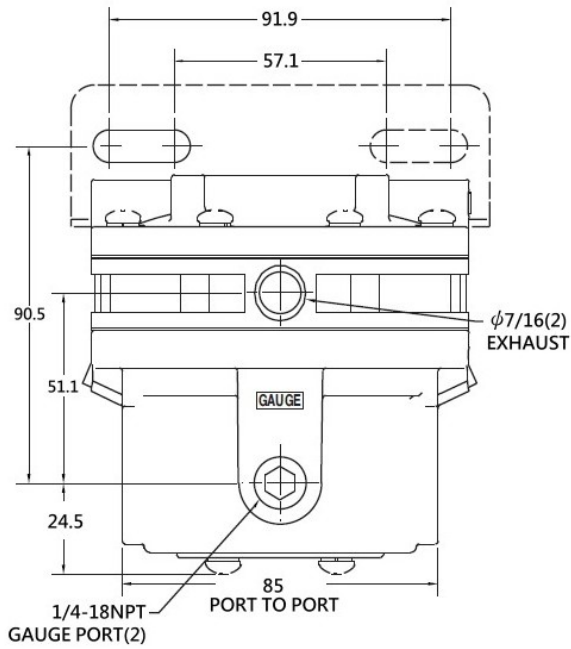


Overall Dimension

TYPE 600



TYPE 6100



QKL-B1T

