

High Pressure Proportional Regulator

QKL-B4H



Features

- ◆ Compact
- ◆ High Precision
- ◆ High Sensitivity
- ◆ Wide Pressure Range

Industrial application

- ◆ Laser Cutter
- ◆ Leak Tester
- ◆ Tension Control
- ◆ PET bottle molding machine
- ◆ Multi-Stage Pressure Control

Product Description

This series is a complete closed loop servo system consisting of two solenoid valves, an internal pressure transducer, and electronic controls. Based on analog signal, the pressure is controlled by two solenoid valves to maintain precise pressure; one valve functions as inlet control, the other as exhaust. The pressure output is measured by an internal or an external feedback pressure transducer that provides a feedback signal to the electronic controls. The regulator is suitable for industries that require precise pressure changes at any time and monitor pressure values.

Available with 3 selections of input signal: 0-10VDC, 4-20mA, or RS485 Modbus. Monitor signal can be chosen from 0-10V, or 4-20mA. Our special design offers high pressure and high flow capability electronic pressure regulator in uni-body design.

All our products have CE, SGS, RoHS certification with ISO13485 quality system.

High Pressure Proportional Regulator

QKL-B4H



Specifications

Type	B4H-P18(261psi)	B4H-P60(870psi)	B4H-P70(1015psi)
Input Signal	0-10V / 4-20mA / RS485		
Output Range	0-18bar (260 psi)	0-60bar (870 psi)	0-70bar(1015 psi)
Supply Pressure Max	20bar (290 psi)	65bar (942 psi)	74bar(1073 psi)
Monitor Output	0-10V / 4-20mA		
Supply	DC24V (≤14W)		
Response	200 msec		
Medium	Clean compressed air or with 5 μm filter		
Repeatability	±0.25% F.S.	±0.25% F.S.	±0.25% F.S.
Hysteresis	±0.25% F.S.	±0.25% F.S.	±0.25% F.S.
Linearity	±0.25% F.S.	±0.25% F.S.	±0.25% F.S.
Accuracy	±0.25% F.S.	±0.25% F.S.	±0.25% F.S.
Sensitive	0.1bar	0.5bar	0.5bar
Flow Rate	40L/min @ 18bar	145L/min @ 60bar	170L/min @ 70bar
Temp. Range(Operating)	-196 ~ 70 °C (-320 ~ -158 °F)		
Port Size	1 / 8"PT		
Manifold Material	Aluminum		
Mounting Bracket Material	Galvanized Steel		
Electrical Connection	M12 Connector(2m)		
Ingress Protection	IP 65		
Weight	800 g		

Ordering Code

QKL - □ - □ - □ - □ - □ - □

Type

B4H	Internal Feedback	1/8"PT
-----	-------------------	--------

Input Signal

*E	0 - 10 V
A	4 - 20 mA
R	RS485 Modbus

Monitor Output

C	0 - 10 V
A	4 - 20 mA

Mounting Bracket

M	M type
---	--------

Pressure and Flow

P18	0 - 18 bar 40 LPM
P60	0 - 60 bar 145 LPM
P70	0 - 70 bar 170 LPM

Display Unit

S	psi
U	bar

*For Command Signal type 0-10V, the minimum driving current is 3mA.

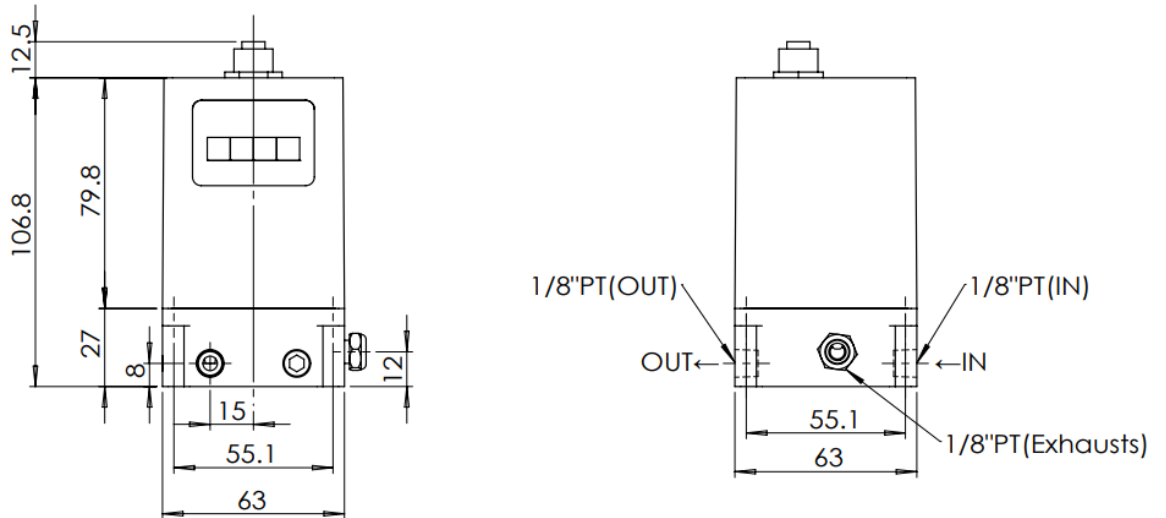
High Pressure Proportional Regulator

QKL-B4H

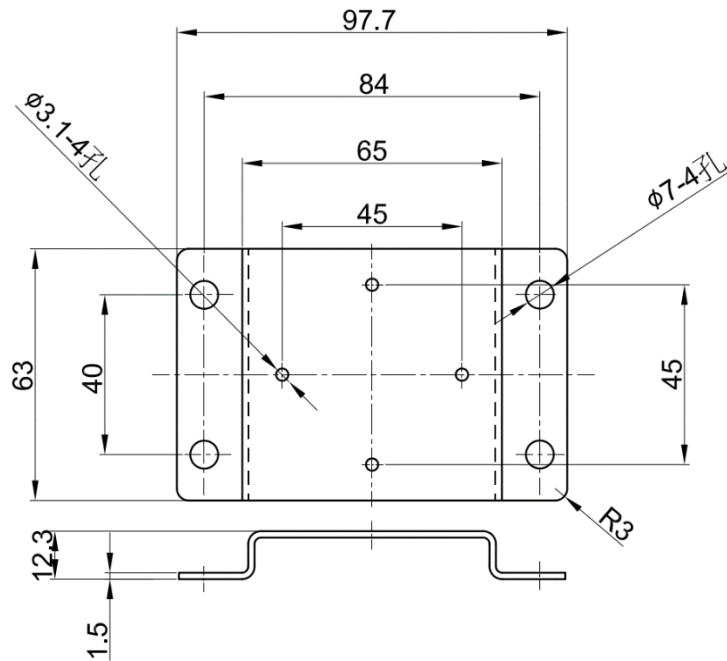


Overall Dimension

◆ QKL-B4H



◆ Bracket M Type

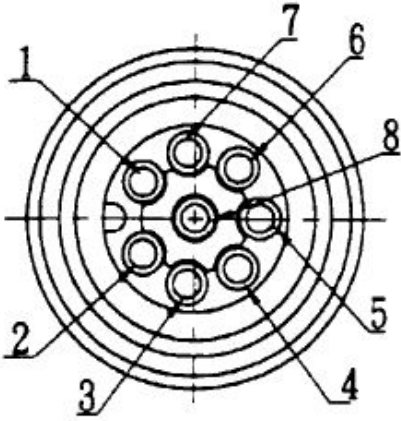


High Pressure Proportional Regulator

QKL-B4H



Wiring Description



No.	Color	Function
1	Blue	24V DC Power (-)
2	Brown	24V DC Power (+)
3	Black	Monitor output (+)
4	White	0-10 V Command (+) 4-20 mA Command (+)
5	Gray	RS485(D-)
6	-	-
7	purple	Command (-) Monitor output (-)
8	Red	RS485(D+)

The wiring diagram shows from top view



Warning: Do not rotate the connection socket when connected, to avoid damage to the internal sensor.

High Pressure Proportional Regulator

QKL-B4H



Product Precautions



Installation

The valve can be mounted in any position. For very low pressure control, works best when mounted upright. And Ensure a minimum closed end volume of 40c.c. to allow proper functioning.



Preparation Before Piping

Before piping is connected, it should be thoroughly blown out with air (flushing) or washed to remove chips, cutting oil and other debris from inside the pipe.

Wrapping of Sealant Tape

When screwing together pipes and fittings, etc., be certain that chips from the pipe threads and sealing material do not get inside the piping. When sealant tape is used, leave 1.5 to 2 thread ridges exposed at the end of the threads.



Operating Environment

1. Do not operate in locations having an atmosphere of corrosive gases, chemicals, sea water, or where there will be contact with the same.
2. In locations where the body is exposed to water, steam, dust, etc., there is a possibility that moisture or dust could enter the body through the EXH port, solenoid valve EXH port and/or built-in regulator EXH port, thereby causing problems.
3. In locations which receive direct sunlight, provide a protective cover etc.
4. In locations near heat sources, block off any radiated heat.
5. Employ suitable protective measures in locations where there is contact with water droplets, oil or welding spatter, etc.



Air Supply

1. Compressed air, nitrogen, oxygen or argon can be used as a fluid.
2. Do not use compressed air which includes chemicals, synthetic oils containing organic solvents, salt, or corrosive gases, etc., as this can cause damage or malfunction.
3. If oxygen is used as the fluid, it can lead to serious and unforeseen risks. However, it is possible to manage and control the risk of hazards and economic loss. In order to use the product safely, it should only be handled by personnel with appropriate knowledge, with support from a suitably qualified specialist.
4. Oxygen gas increases the susceptibility of substances to burning; Oxygen gas can be ignited by frictional heat and static electricity. If oxygen is ignited, the metal and seal materials burn. Therefore, flush the piping thoroughly and mount a suitable filter to prevent foreign matter such as metal powder and dust from entering the product.
5. Take safety measures by installing safety devices (e.g. a circuit that stops the supply of oxygen gas) to prevent fire and explosion in the event of failure, taking flameproof safety standards into consideration.
6. Since there are some exhaust ports on the product, connect the piping in order to exhaust oxygen. Do not block the exhaust port.



Warranty

KaoLu Enterprise Co., Ltd. products are warranted to the original purchaser only against defects in material or workmanship for 6 months from the date of manufacture. The extent of KaoLu's liability under this warranty is limited to repair or replacement of the defective unit at KaoLu's option. KaoLu shall have no liability under this warranty where improper installation or filtration occurred.