

Miniature Proportional Valve

KLPV-HP



Valve Type : 2-Way Normally Closed
 Electrical Connection : Flying Wire Leads
 Power Consumption : 5 watts or 14 watts (max)
 Voltage Range : 24 VDC
 Working Pressure : 0~20 bar
 Orifice Size(mm) : 1, 1.5, 2, 3 and 3.5
 Prot Types : G1/4"
 Seal Material : Viton
 Wetted Materials : Cold rolled stainless steel w/ electroless nickel plating, brass and 304 stainless steel
 Temperature Range : -320 to 120°F (-196 to 50°C)
 Maximum Hysteresis : 10-15% of full current (varies with max flow)
 Flow : 0~300 LPM of Air
 Leak Rate : Bubble Tight Seal
 Weight : 300g
 Filtration : 40 Micron

We offer high flow small size proportional valves. This non-spool design uses a moving part to ensure frictionless performance and a lifespan of up to 10 million cycles. This design ensures easy maintenance and cleaning. Our valve bodies are resistant to high and low temperatures, showing the same performance in different environments, suitable for air, hydrogen, oxygen. Mounting options provide in-line and manifold options.

Ordering Code

KLPV – HP – P – 24 – –

Power Consumption

| | |
|----|-----|
| 5 | 5W |
| 14 | 14W |

| Code | Orifice | Max. Inlet Pressure (bar) | | Max. Flow(L/min) | |
|------|---------|---------------------------|-----|------------------|-----------|
| | | 5W | 14W | 5W | 14W |
| 10 | 1 mm | 43 | 35 | 16 @3bar | 30 @3bar |
| 15 | 1.5 mm | 22 | 25 | 33 @3bar | 70 @3bar |
| 20 | 2 mm | 10 | 15 | 54 @3bar | 125 @3bar |
| 25 | 2.5 mm | 6 | - | 95 @3bar | - |
| 30 | 3 mm | 2 | 9.5 | 105 @2bar | 230 @3bar |
| 35 | 3.5 mm | 1 | 4 | 78 @1bar | 310 @3bar |



Kao Lu Enterprises Co., Ltd. TEL:886-4-24874219 · 24860626
Genn Dih Enterprises Co., Ltd. FAX:886-4-24864269 · 24862824
Web:www.genndih.com E-mail:genndih@ms43.hinet.net
 No. 17, Lane 822, Sec. 2, Zhongxing Rd., Dail Dist., Taichung City 41244, Taiwan(R.O.C)

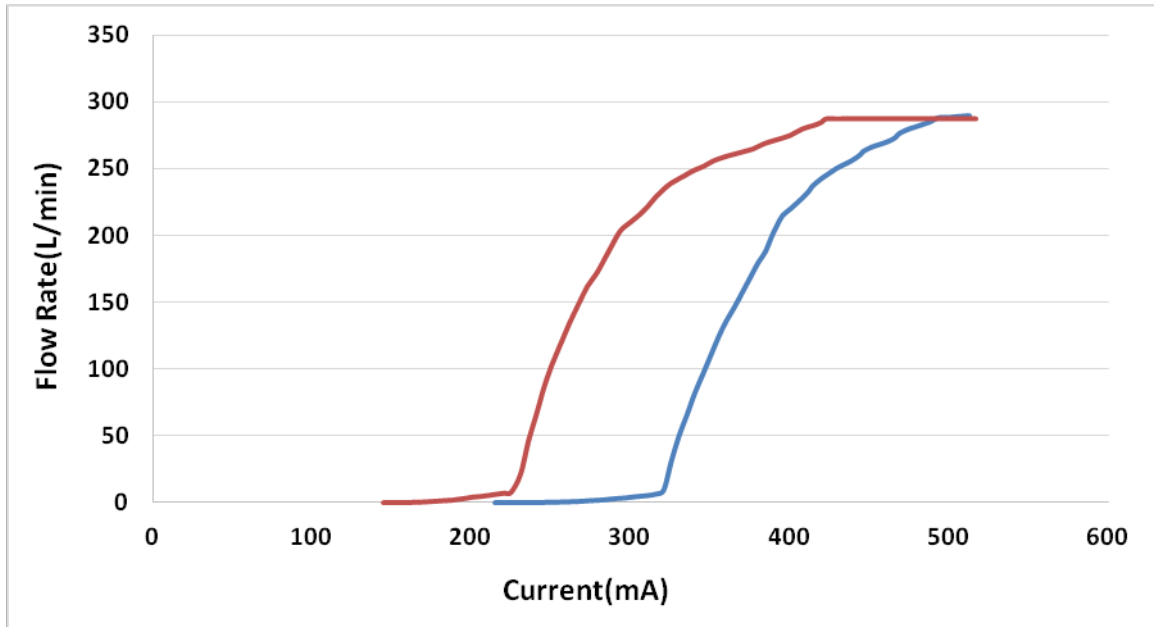
Miniature Proportional Valve

KLPV-HP

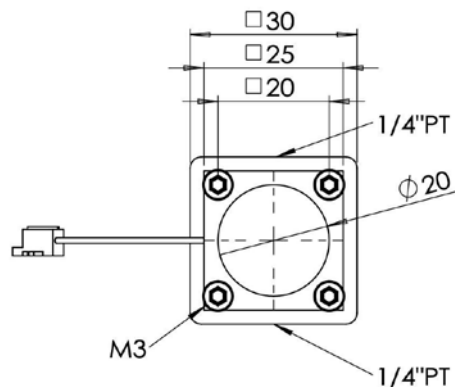
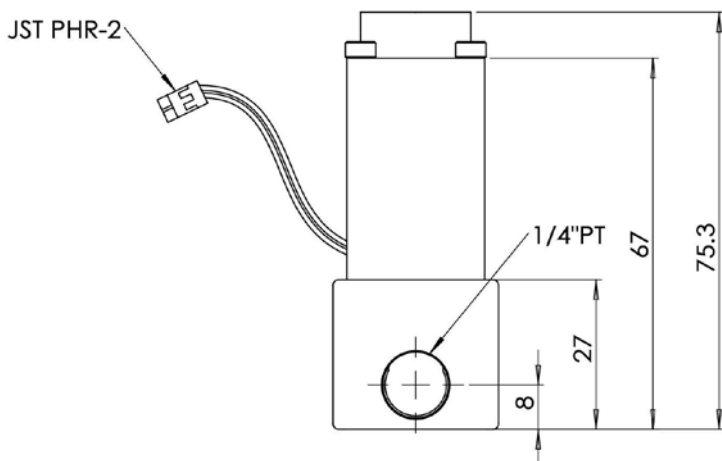


Typical Performance Characteristics

14W (inlet@3bar, orifice: 3mm, tube I.D.: 10mm)



Dimensions (mm)



Kao Lu Enterprises Co., Ltd. TEL:886-4-24874219 · 24860626
Genn Dih Enterprises Co., Ltd. FAX:886-4-24864269 · 24862824
Web:www.genndih.com E-mail:genndih@ms43.hinet.net
No. 17, Lane 822, Sec. 2, Zhongxing Rd., Dail Dist., Taichung City 41244, Taiwan(R.O.C)



Kao Lu Enterprises Co., Ltd. TEL:886-4-24874219 · 24860626
Genn Dih Enterprises Co., Ltd. FAX:886-4-24864269 · 24862824
Web:www.genndih.com E-mail:genndih@ms43.hinet.net
No. 17, Lane 822, Sec. 2, Zhongxing Rd., Dail Dist., Taichung City 41244, Taiwan(R.O.C)