

Proportional Pressure Regulator

Dome loaded pressure regulator



This Proportional Pressure Regulator provides pilot pressure to the ratio relay volume booster. By controlling pilot pressure at the top of the diaphragm, we can control the output pressure of volume booster. Volume booster is also called a dome-loaded or pilot-operated pressure regulating valve, which can be used as pressure regulating valve or back pressure valve.

By Combining a proportional pressure regulator with a volume booster, one can regulate pressure and flow of special media such as water, oil, steam, etc. It can also solve the flow rate limitation offered by single proportional pressure regulator.

Specifications

Type	Proportional Pressure Regulator		
Model	QKL-B1T	QKL-B1S	QKL-B4H
Input Signal	4-20mA / 0-10V / RS485		
Output Range	0~8 bar	0~30 bar	0~70 bar
Monitor Output	1-5V / 0-10V / 4-20mA		
Power Supply	DC24V(≤4W)	DC24V(≤4W)	DC24V(≤14W)
Type	Volume Booster		
Model	1P0R2	120P2	
Medium	一般空气、特殊气体、水、油、蒸气...等 Air、Gas、Water、Oil、Steam...etc		
*Port	G3/4"、1"	G1"1/2、2"	
Output Range	0~15、1~50	0~15、1~50	
CV(CEI EN 60534-2)	9.8 m ³ /hr	25 m ³ /hr	

* If you need a port below 3/4", please contact our sales.

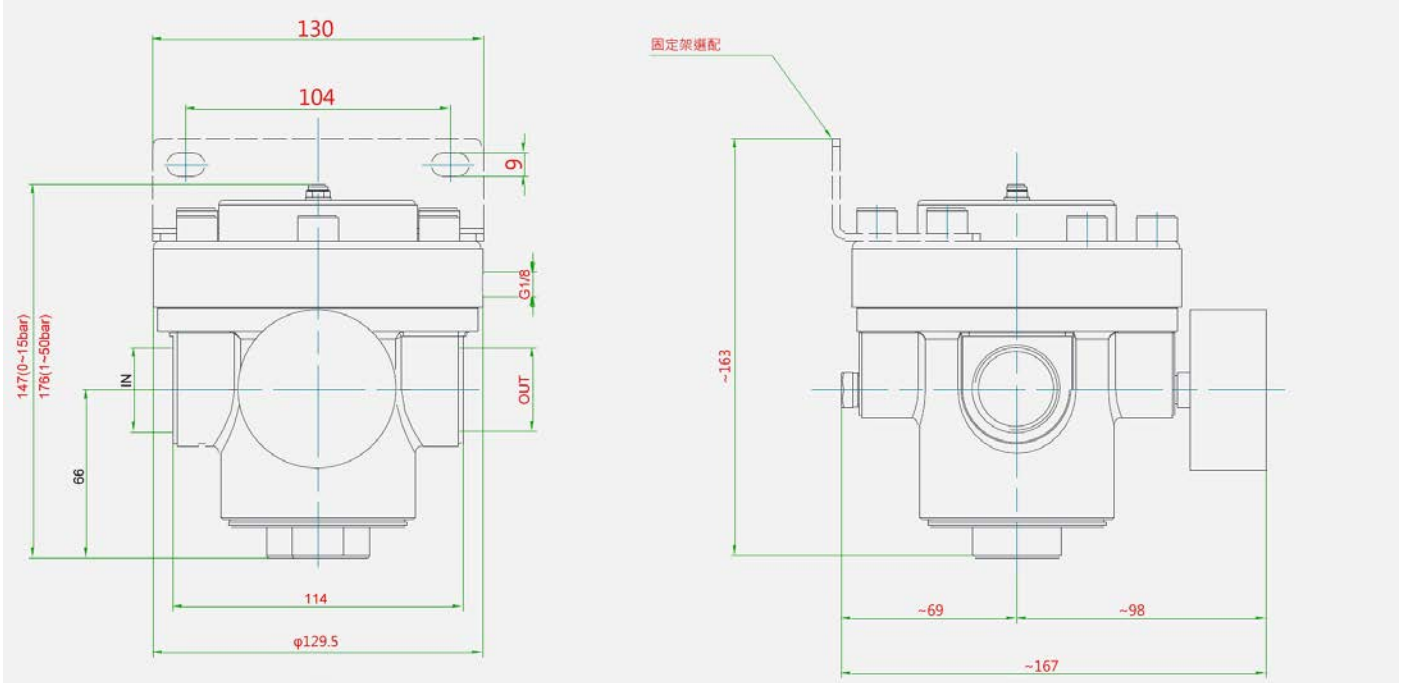
Proportional Pressure Regulator

Dome loaded pressure regulator



Overall Dimension

1P0R2



120R2

