

Conductivity Sensors Type ICS PPSU

Inline Conductivity Sensor

ICS the new inline conductivity sensor from AVS-Römer



Inline conductivity sensor for conductivity measurement of liquid media.

The ceramic conductivity measuring cell in conjunction with the established ELSA push-in connectors made of PPSU finds its use primarily in the food industry.

The integrated sensor electronics are temperature-compensated.

Other features:

- minimal dead space
- temperature-compensated evaluation electronics
- materials and constructional design especially optimised for food applications

Variations / options:

- other material for seal

CHARACTERISTICS

GENERAL

Constructional design	Ceramic conductivity measuring cell
Product name	Conductivity Sensor
Product type	ICS-958P3-...
Nominal diameter	DN 4
Connection	ELSA push-in connectors for pipe/tube OD 6
Ambient temperature	0 °C to +60 °C
Medium temperature	0 °C to +140 °C
Medium viscosity	up to approx. 35 mm ² /s
Body material	PPSU (KTW approved, NSF certified)
Measuring cell material	Al ₂ O ₃ , Pt, glass
O-ring material	FKM (FDA-compliant) or EPDM (FDA complaint, KTW approved, NSF certified)
Mounting method	using spring clip, internal width Ø 30-32 (not included in scope of supply)
Mounting position	Preferably upright
Approval	NSF/ANSI 169

PNEUMATIC - HYDRAULIC

Nominal pressure	PN 16
Pressure range	Technical vacuum up to maximum allowable operating pressure OP in accordance with the specification table
Flow rate	Kv-value in accordance with the specification table
Medium	Gases or liquids which do not corrode the materials specified

ELECTRIC

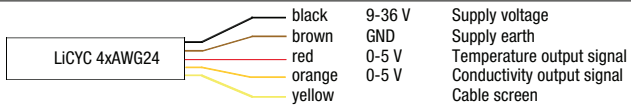
Supply voltage	9 to 36 V DC	
Conductivity output signal	0 to 5 V DC (linear over the entire measurement range)	
Temperature output signal	0 to 5 V DC (linear over the entire measurement range)	
Electrical connection	4-pole screened cable 0.75 m (LiYCY 4xAWG24)	
Protection class	IP65	
MEASURING CELL	Conductivity	Temperature
Measuring range	0.2 to 20 mS/cm	0 to 140 °C
Accuracy	±2 % F.S.	±1 °C
Temperature error	±1 % F.S.	-
Response time	<1 s	<1 s

Caution! PPSU should not be used in contact with aromatic hydrocarbons, oxidising acids, acetone, chlorinated hydrocarbons, ethers or ketones! Also, PPSU should not be placed directly in contact with anaerobic adhesives!

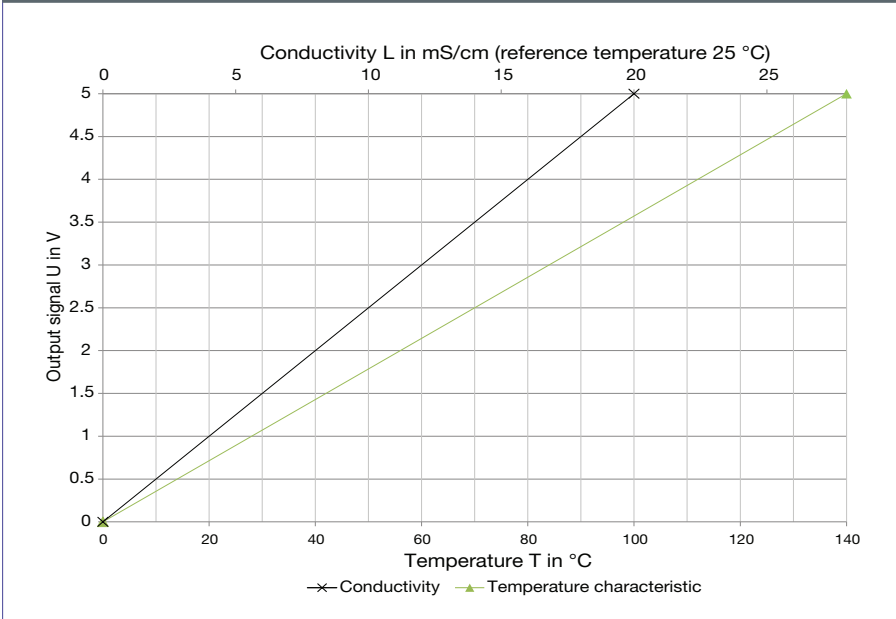
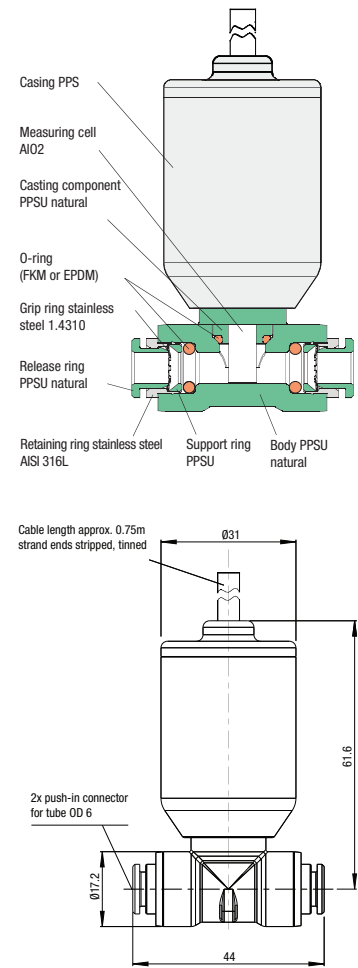


Conductivity Sensor - Type ICS

 Product group **710** PN **16** Max. Allow. OP at ambient temp.
 T_{min} 0 °C, T_{max} +60 °C

Plastic PPSU


for tube OD	DN	Kv-value water [l/min]	Allow. OP [bar] at medium temp.			Seal material	Type	Order number	Price
			20 °C	100 °C	140 °C				
6	4	8.1	16	12	6	FKM (FDA-compliant)	ICS-958P3-6FF	390602	o. r.
6	4	8.1	16	12	6	EPDM (FDA-compliant)	ICS-958P3-6PF	390601	o. r.

Characteristic Curve 0-20 mS/cm or 0-140 °C 0-5 V

Illustration


Home

