

高流量型流量比例閥 High Flow Proportional Valve

KLPV-HF



閥門類型 Valve Type : 二口二位常閉式 2-Way Normally Closed

接線方式 Electrical Connection : 出線型 Flying Wire Leads

耗電量 Power Consumption : 5.2 watts (max)

控制電壓範圍 Voltage Range : 0-10 or 0-20 VDC

工作壓力 Working Pressure : 25, 50 or 100psig

孔徑大小 Orifice Size : 0.04", 0.06", 0.09", 0.125" or 0.156"

接口類型 Port Types : 1/4" NPT Inline (Base Mount),

3/8"-24 THD Manifold Mount

密封圈 Seal Material : Buna-N, Viton or EPDM

接觸介質材料 Wetted Materials : 銅鍍化學鍍, 黃銅或不鏽鋼 304

Cold rolled stainless steel w/ electroless nickel plating, brass and 304 stainless steel

溫度範圍 Temperature Range : 32 to 120°F (0 to 50°C)

最大遲滯現象 Maximum Hysteresis : 2-10% of full current (隨最大流量變化 (varies with max flow))

流量 Flow : 0~300 LPM of Air

洩漏率 Leak Rate : 採用氣密性油封 Bubble Tight Seal

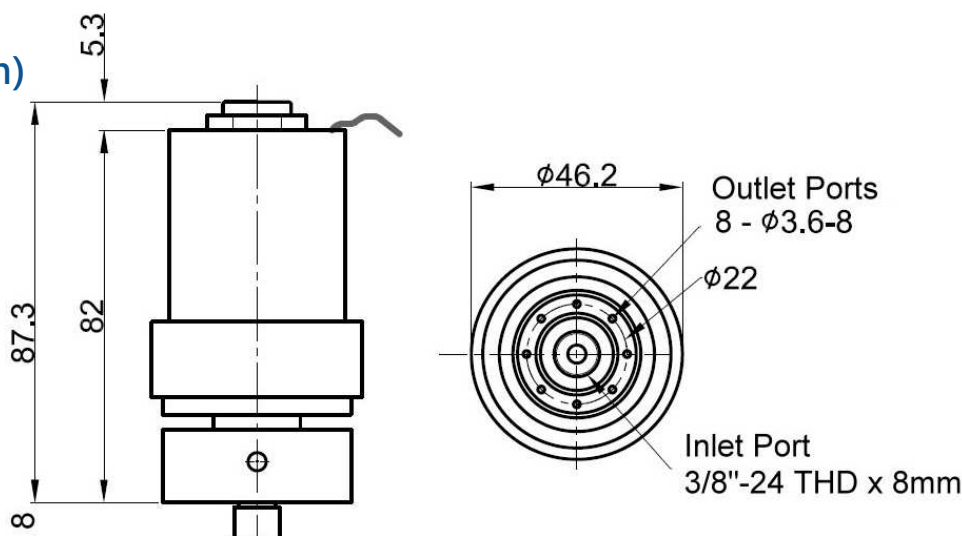
重量 Weight : 1.0 lbs

前端過濾 Filtration : 建議 40 Micron

這款比例閥非閥芯的設計採用了一個移動件來確保無摩擦的性能，壽命高達一億次。這種設計上的簡單性還確保在維修或清潔時相對容易。該閥可耐高溫和低溫，適用於水、空氣、油、氫氣、氧氣...等，在不同的環境中均能展現相同的工作性能。This non-spool valve architecture employing one moving part ensures virtually frictionless performance and longevity tested at over 100 million cycles. This simplicity in design also assures relative ease when implementing maintenance or cleaning. We also offer alternate versions that are resistant to both high and low temperatures, therefore performing consistently in many different environments. Available in both 2-way and 3-way versions, this valve can efficiently process Water, Air, Oil and Hydrogen.

外觀尺寸

Dimensions(mm)



Manifold Mount Version



Kao Lu Enterprises Co., Ltd. TEL:886-4-24874219 · 24860626

Genn Dih Enterprises Co., Ltd. FAX:886-4-24864269 · 24862824

Web:www.genndih.com E-mail:genndih@ms43.hinet.net

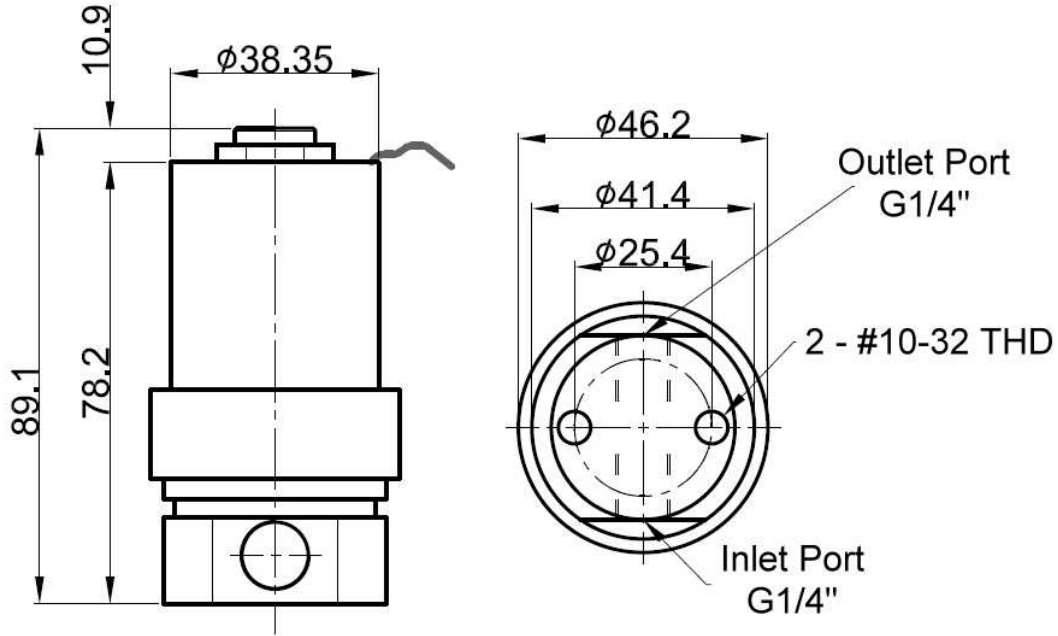
No. 17, Lane 822, Sec. 2, Zhongxing Rd., Dail Dist., Taichung City 41244, Taiwan(R.O.C)

高流量型流量比例閥 High Flow Proportional Valve

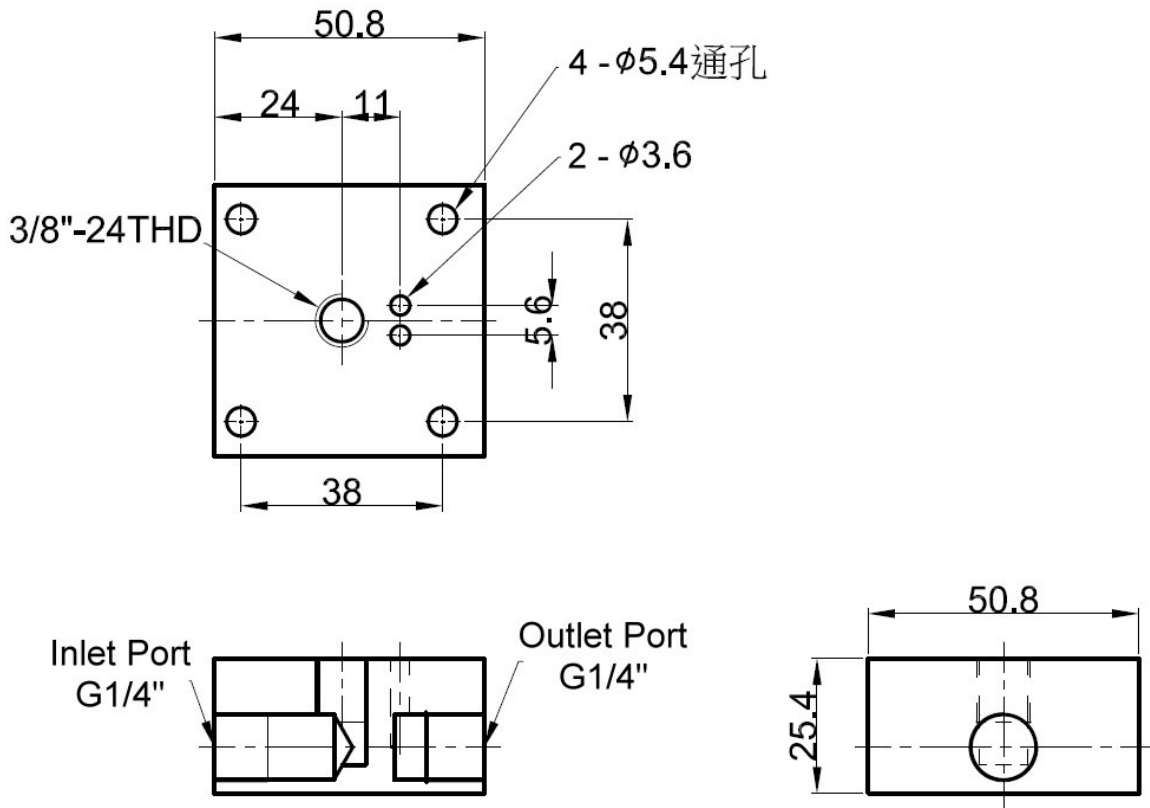


KLPV-HF

外觀尺寸 Dimensions(mm)



Inline Mount Version

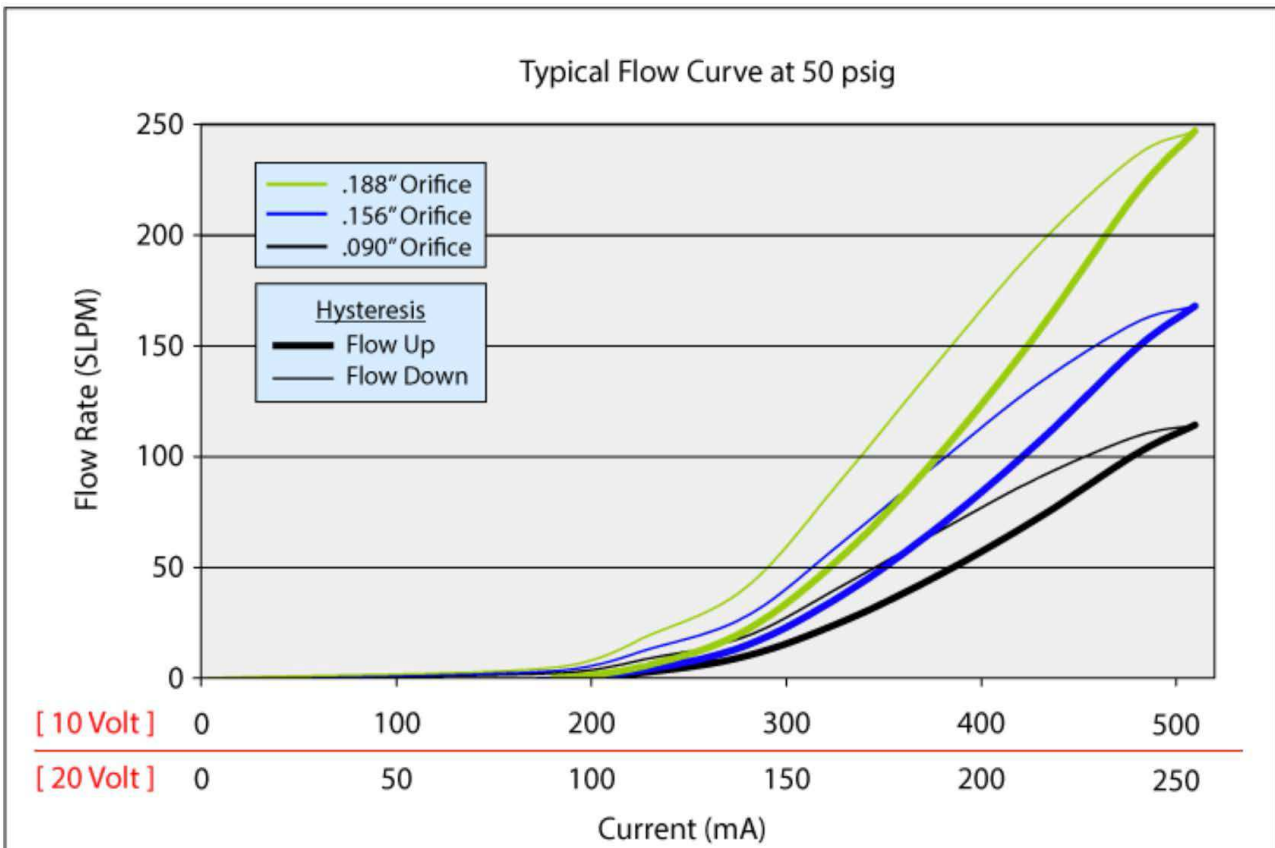
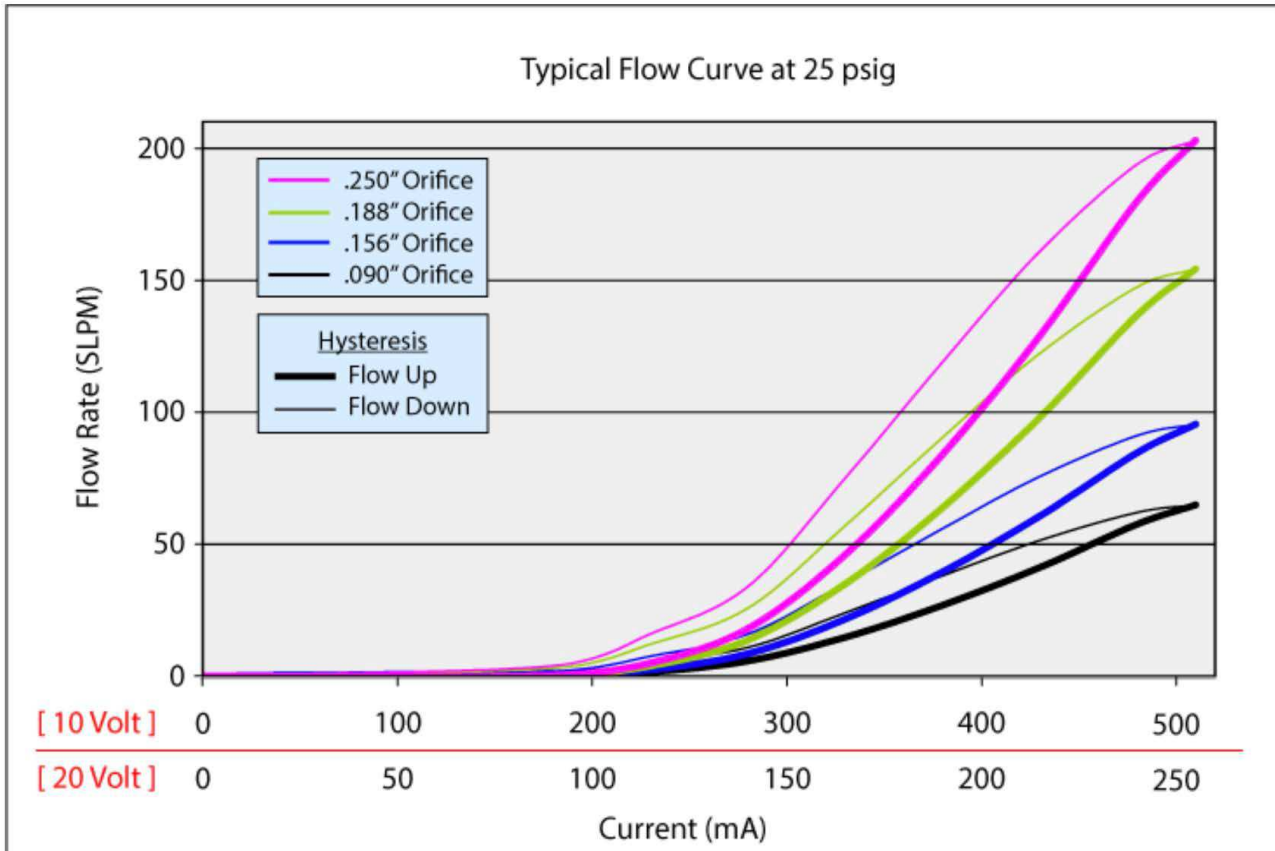


Single-Station Manifold



KLPV-HF

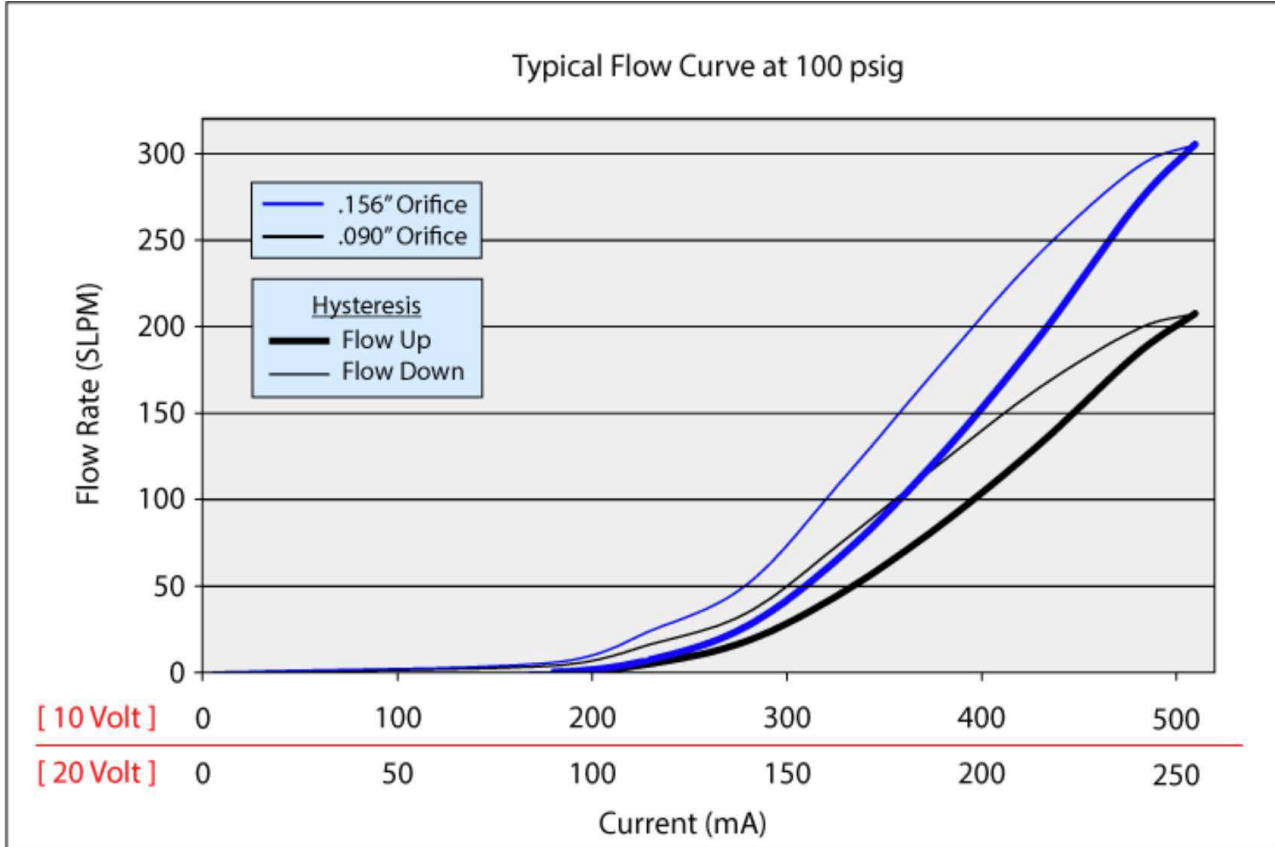
流量特性 Flow characteristics





KLPV-HF

流量特性 Flow characteristics



訂購型號 Ordering Code

KLPV - HF - PM - 20 - 25 - 250

