

中型流量比例閥 Mid Flow Proportional Valve

KLPV-MF



閥門類型 Valve Type : 二口二位常閉式 2-Way Normally Closed

接線方式 Electrical Connection : 出線型 Flying Wire Leads

耗電量 Power Consumption : 4.2 watts (max)

控制電壓範圍 Voltage Range : 0-10 or 0-20 VDC

工作壓力 Working Pressure : 25, 50 or 100psig

孔徑大小 Orifice Size : 0.04", 0.06", 0.09", 0.125" or 0.156"

接口類型 Prot Types : 1/8" NPT Inline (Base Mount),

M5 Manifold Mount

密封圈 Seal Material : Buna-N, Viton 或 EPDM

接觸介質材料 Wetted Materials : 銅鍍化學鍍, 黃銅或不鏽鋼 304

Cold rolled stainless steel w/ electroless nickel plating, brass and 304 stainless steel

溫度範圍 Temperature Range : 32 to 120°F (0 to 50°C)

最大遲滯現象 Maximum Hysteresis : 2-10% of full current (隨最大流量變化 varies with max flow)

流量 Flow : 0~130 LPM of Air

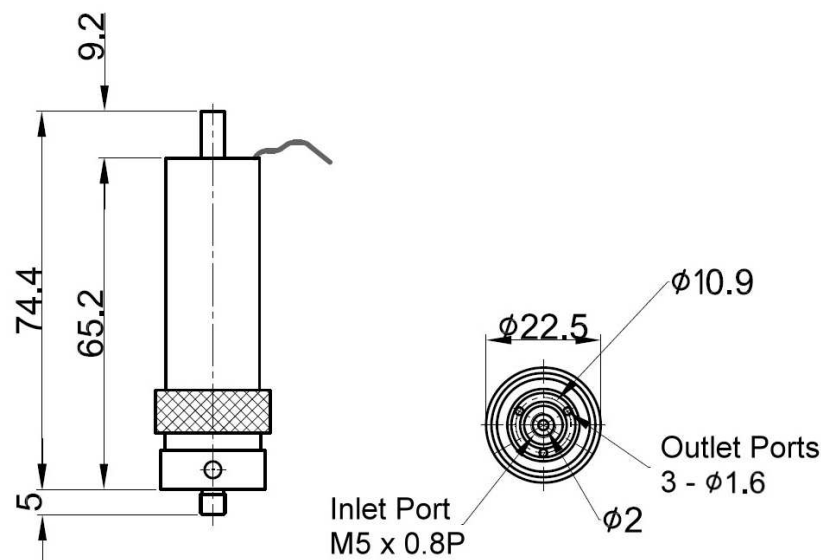
洩漏率 Leak Rate : 採用氣密性油封 Bubble Tight Seal

重量 Weight : 0.25 lbs

前端過濾 Filtration : 建議 40 Micron

這款比例閥非閥芯的設計採用了一個移動件來確保無摩擦的性能，壽命高達一億次。這種設計上的簡單性還確保在維修或清潔時相對容易。該閥可耐高溫和低溫，適用於水、空氣、油、氫氣、氧氣...等，在不同的環境中均能展現相同的工作性能。This non-spool valve architecture employing one moving part ensures virtually frictionless performance and longevity tested at over 100 million cycles. We also offer alternate versions that are resistant to both high and low temperatures, therefore performing consistently in many different environments. Available in both Inline and Manifold Mount versions, this valve can efficiently process Water, Air, Oil and Hydrogen.

外觀尺寸(mm)



Manifold Mount Version



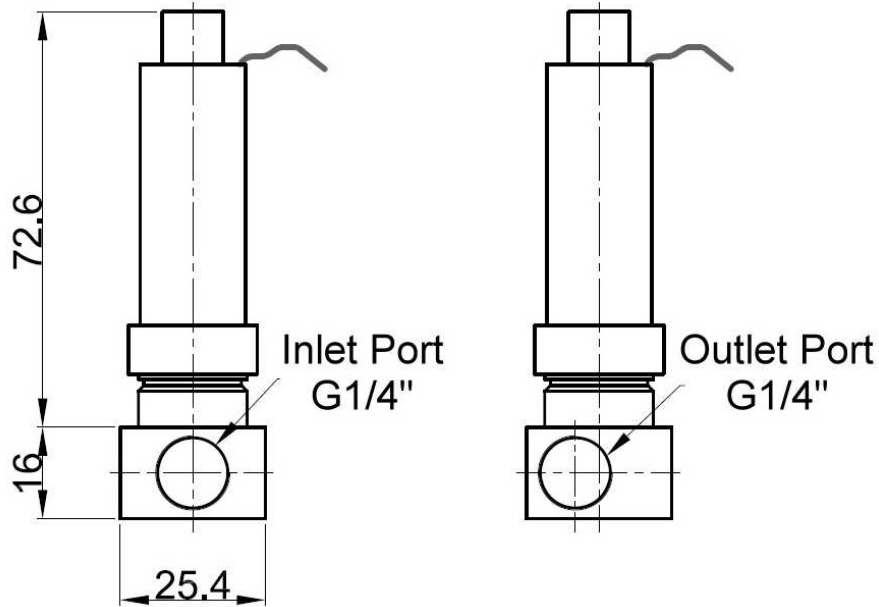
Kao Lu Enterprises Co., Ltd. TEL:886-4-24874219 · 24860626
Genn Dih Enterprises Co., Ltd. FAX:886-4-24864269 · 24862824
Web:www.genndih.com E-mail:genndih@ms43.hinet.net
No. 17, Lane 822, Sec. 2, Zhongxing Rd., Dail Dist., Taichung City 41244, Taiwan(R.O.C)

中型流量比例閥 Mid Flow Proportional Valve

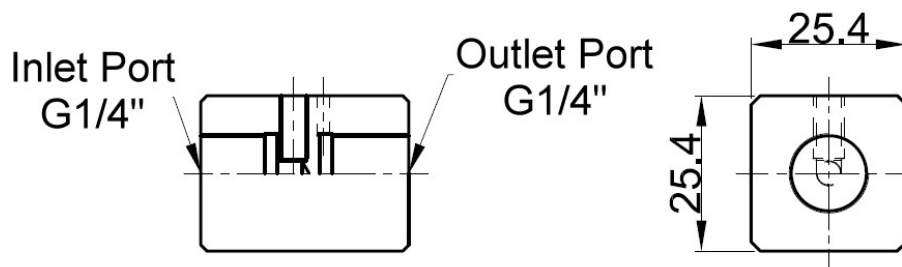
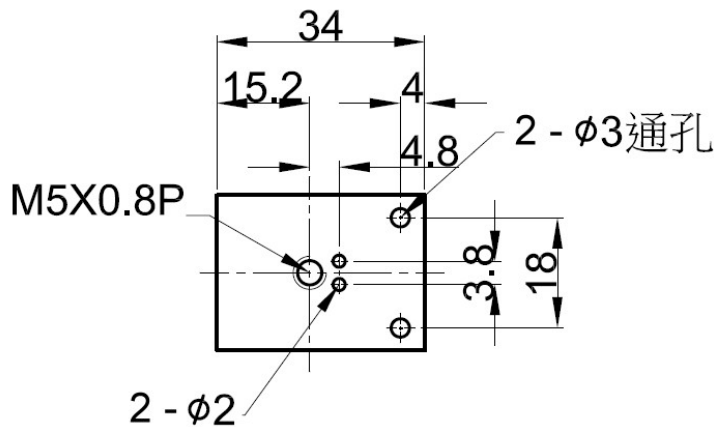


KLPV-MF

外觀尺寸 Dimensions (mm)



Inline Mount Version



Single-Station Manifold

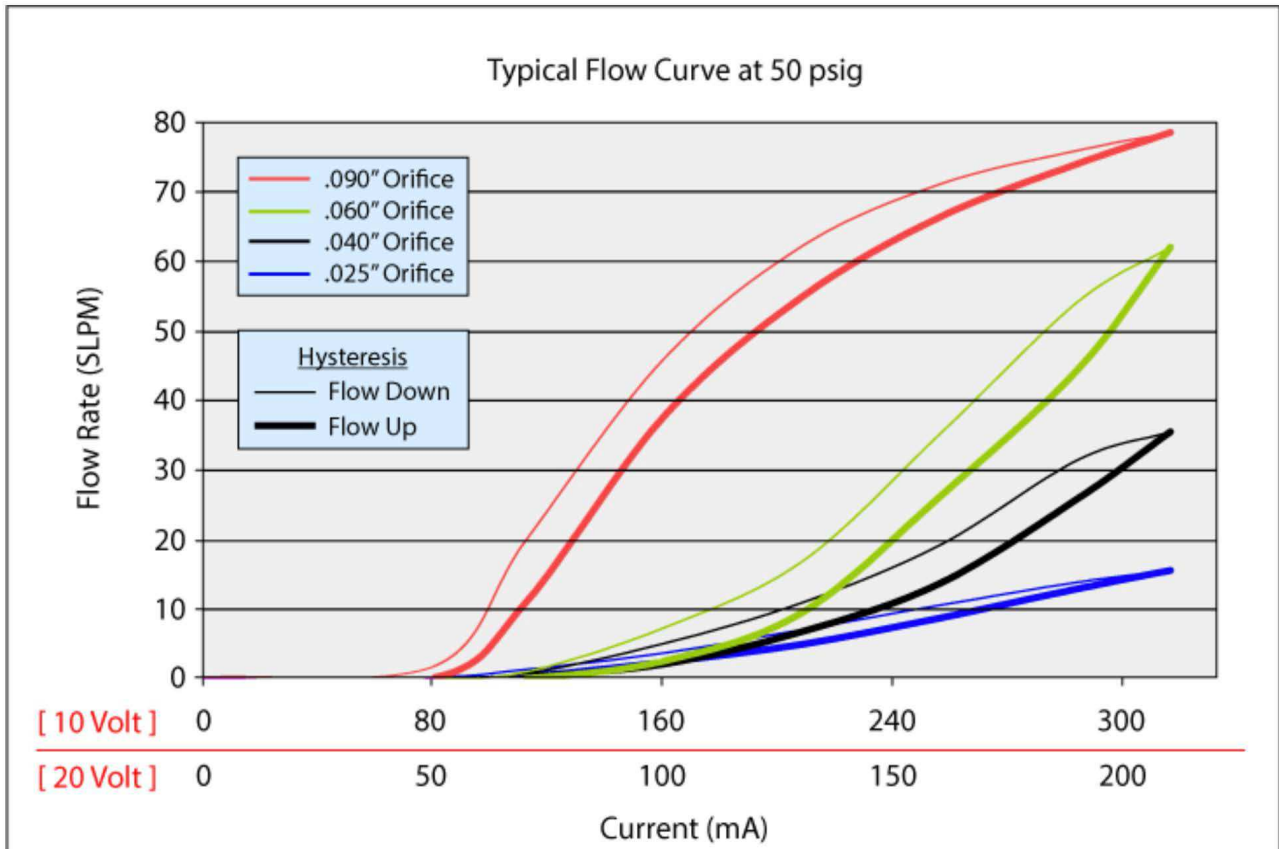
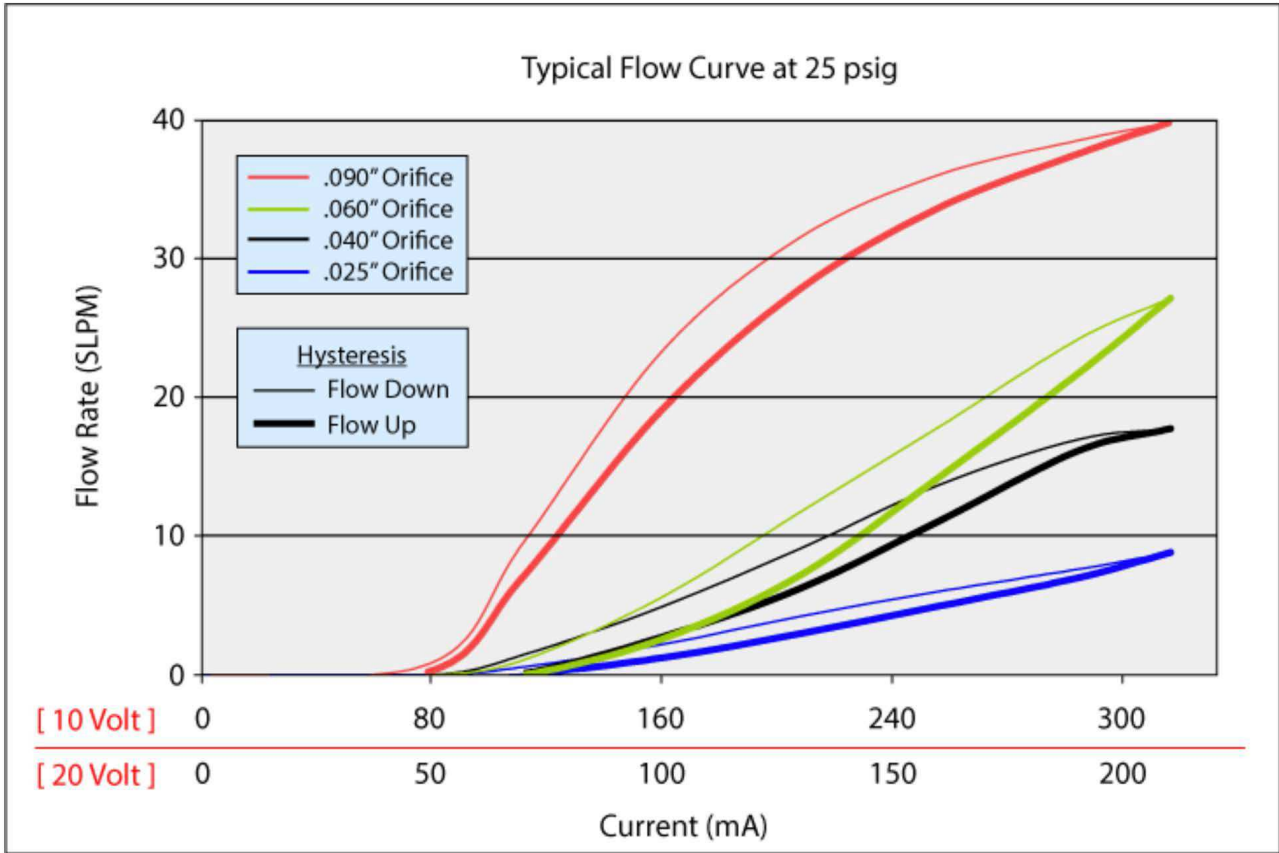


中型流量比例閥 Mid Flow Proportional Valve



KLPV-MF

流量特性 Flow characteristics

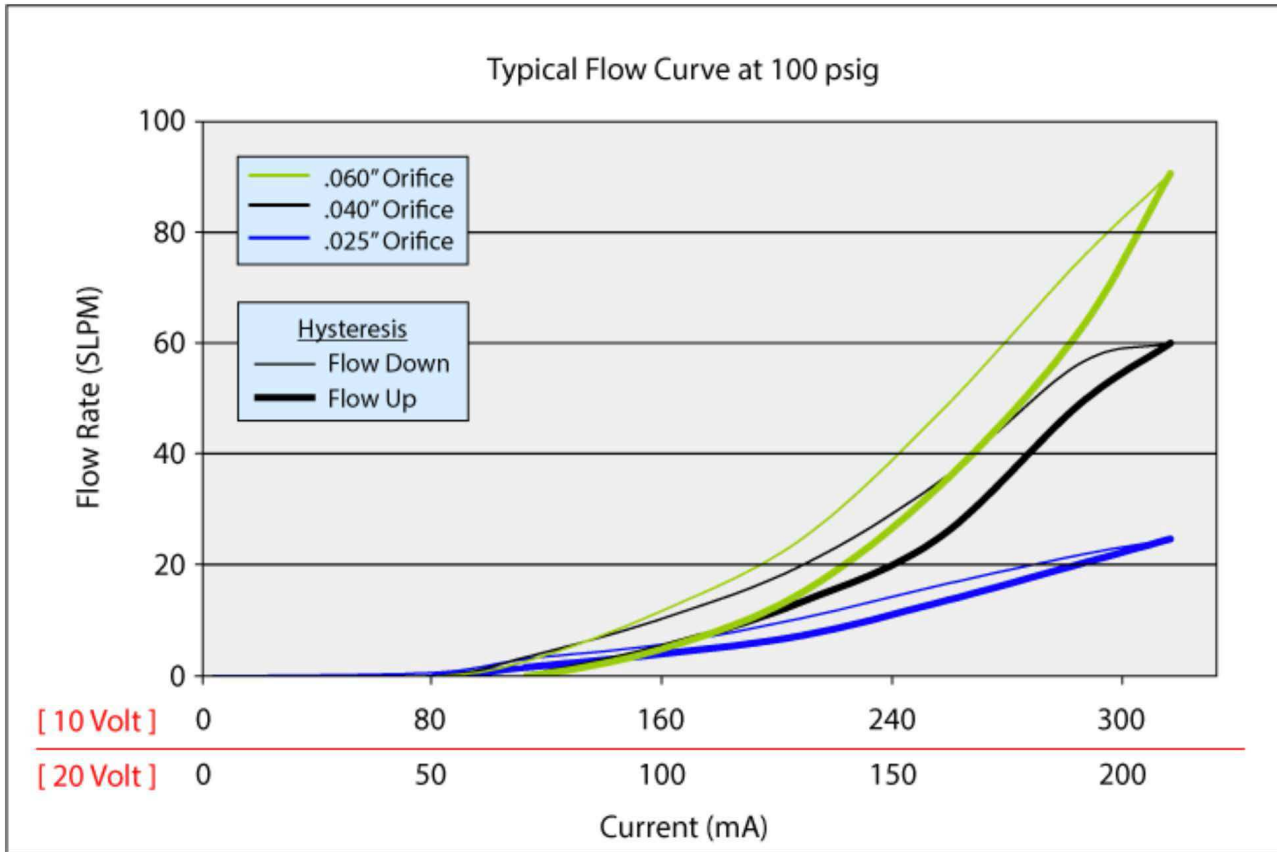


中型流量比例閥 Mid Flow Proportional Valve



KLPV-MF

流量特性 Flow characteristics



訂購型號 Ordering Code

