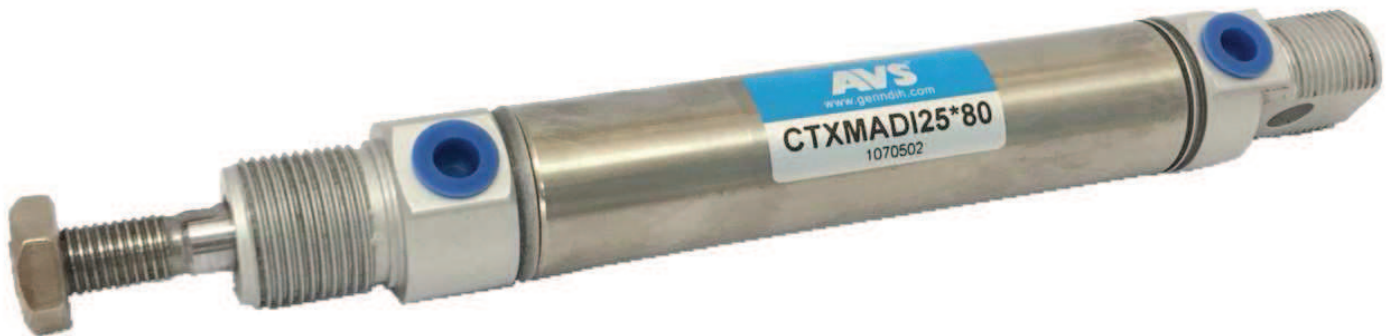


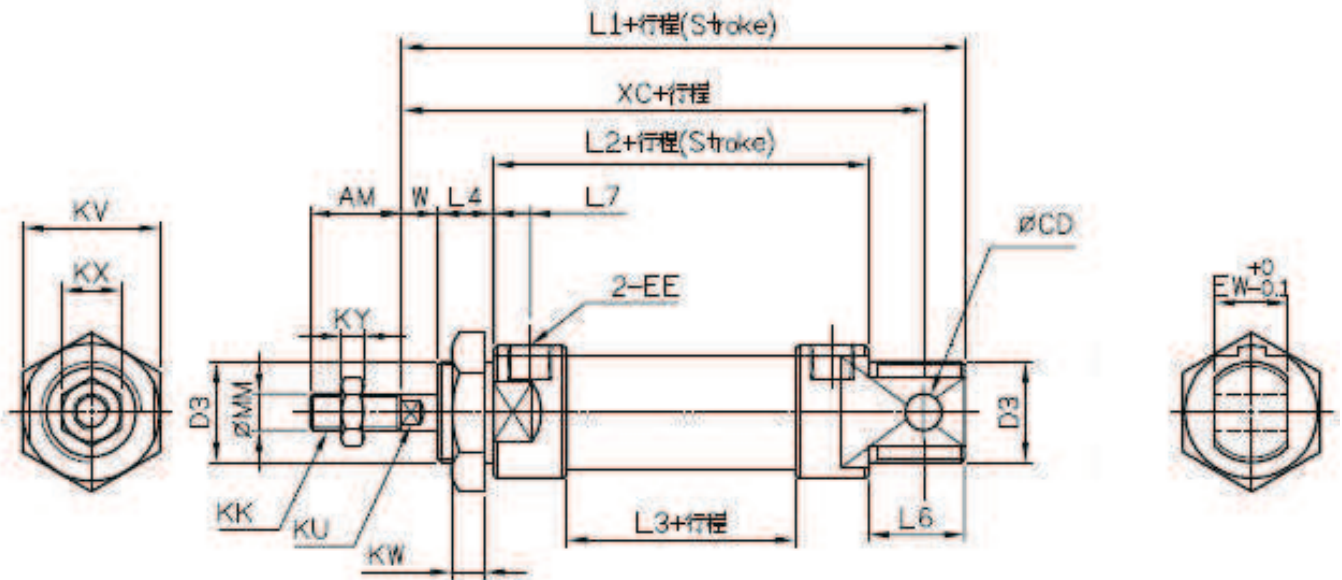


ISO 6432 Series Cylinder



MA6432 ISO 鋁管圓形氣缸
 MA6432 ISO 白鐵圓形氣缸(附緩衝)

MA6432 ISO Aluminum Barrel Cylinder
 MA6432 ISO Stainless Steel Cylinder With Cushioning



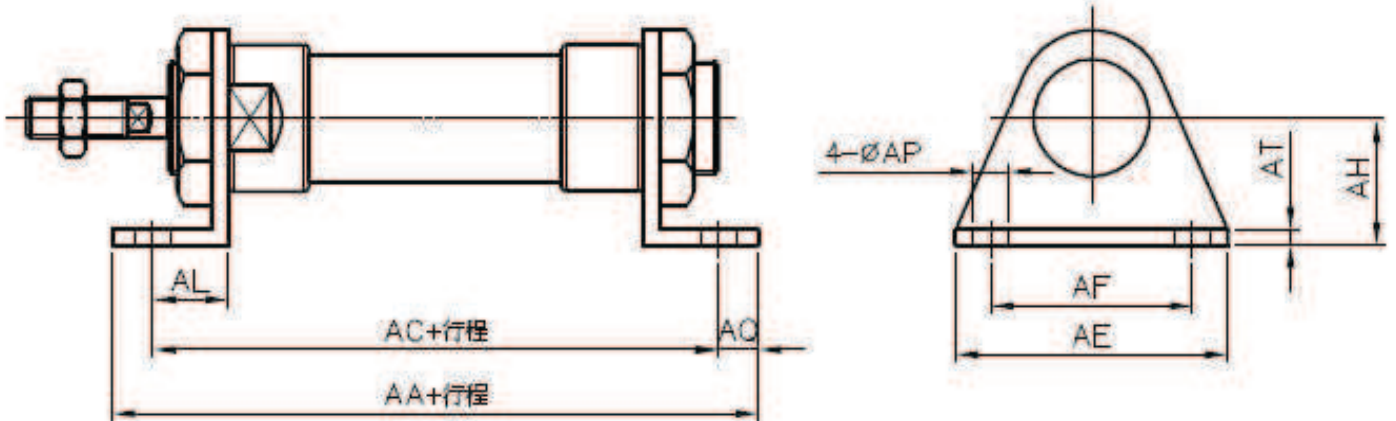
Dia	AM	CD	D3	L1	L2	L3	L4	L6	KK
16	16	6	M16*1.5	95	56	36	17	17	M6*1.0
20	20	8	M22*1.5	111.5	67.5	37	20	20	M8*1.25
25	22	8	M22*1.5	119.5	69.5	37.5	22	22	M10*1.25
32	22	10	M27*2.0	133	83	47	20	22	M10*1.25
※32	20	-	M30*1.5	-	67	34	30	14	M10*1.25
40	24	10	M33*1.5	138	85	49	20	22	M12*1.25
※40	24	-	M38*1.5	-	89	45	35	16	M12*1.25

Dia	KU	KV	KW	KX	KY	MM	EW	XC	EE	W
16	-	24	8	10	5	6	12	82	M5*0.8	5
20	7	32	8	12	6	8	16	95	G 1/8	4
25	9	2	8	17	6	10	16	104	G 1/8	6
32	10	35	9.5	17	6	12	22	119.5	G 1/8	8
※32	10	36	7	17	6	12	-	-	G 1/8	8
40	14	41	9.5	19	7	16	26	124.5	G 1/8	11
※40	14	46	8	17	7	16	-	-	G 1/4	10

※2019年新尺寸推出,此規格為 U 型平尾&白鐵管(附件需另外詢問)

MA6432 ISO 附件 LB

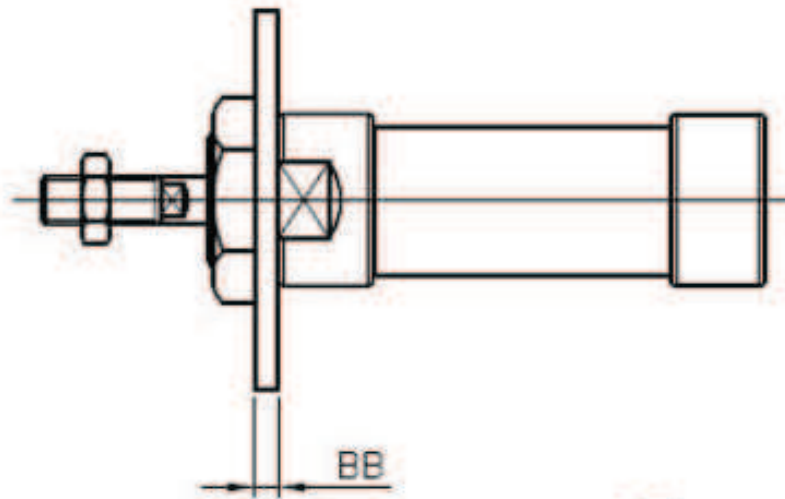
MA6432 ISO Accessory: LB Foot Mounts



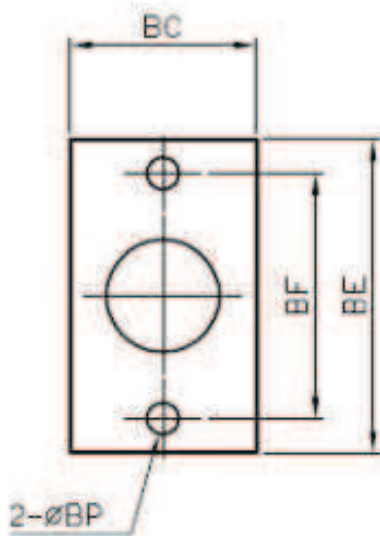
Dia	AA	AC	AE	AF	AH	AL	AP	AT	AQ
16	94	82	44	32	20	13	5.5	3	6
20	113.5	97.5	54	40	25	15	6.5	3	8
25	115.5	99.5	54	40	25	15	6.5	3	8
32	149	133	59	45	32	25	6.5	3	8
40	157	141	64	50	36	28	6.3	3	8

MA6432 ISO 附件 FA

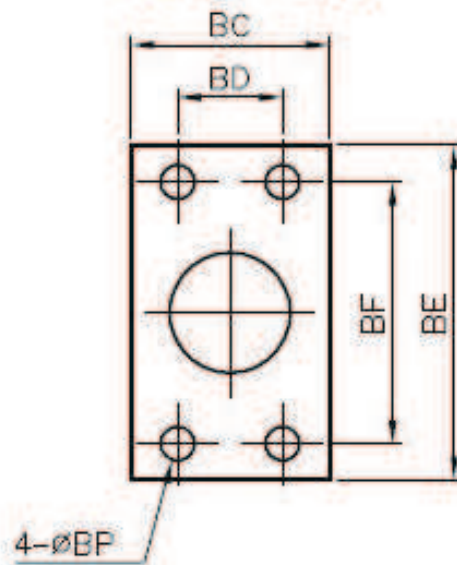
MA6432 ISO Accessory: FA Flange



Ø16~Ø25



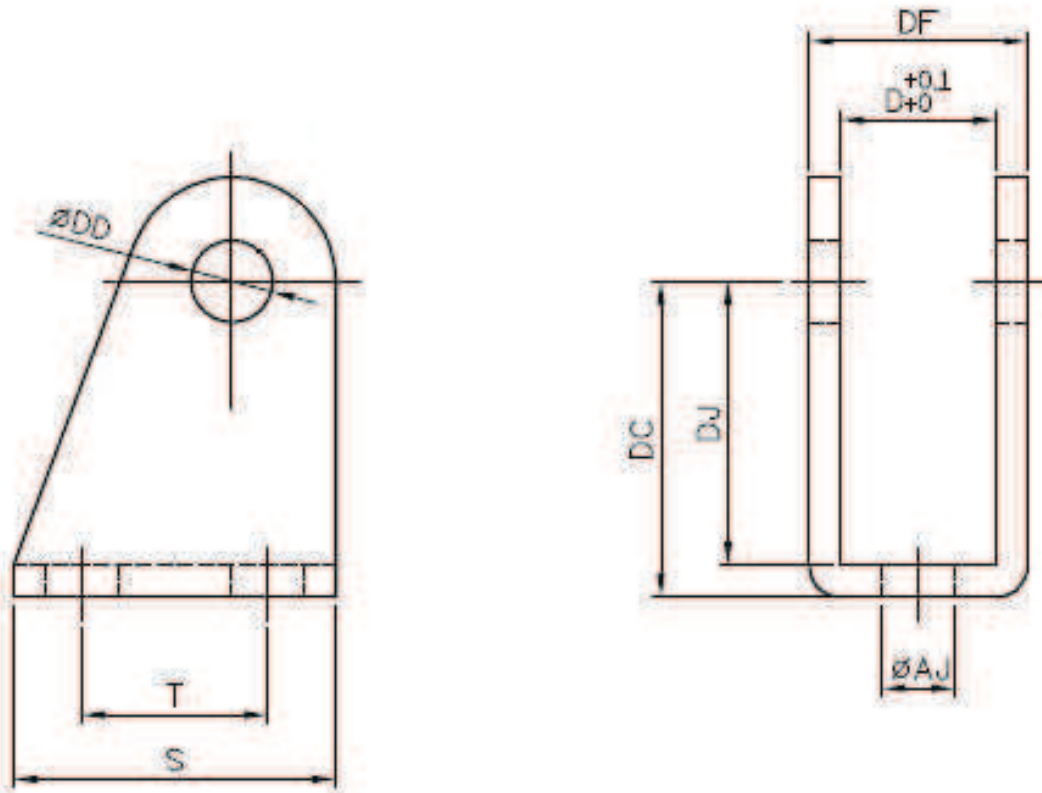
Ø32~Ø40



Dia	BB	BC	BD	BE	BF	BP
16	3	26	-	52	40	5.5
20	4	38	-	64	50	6.5
25	4	38	-	64	50	6.5
32	4	47	33	72	58	6.5
40	4	50	36	84	70	6.5

MA6432 ISO 附件 CB

MA6432 ISO Accessory: CB Rear Trunnion Bracket Mod



Dia	DF	DC	DJ	S	T	AJ	D	DD
16	17.5	26.7	24	25	15	5.5	12.1	6
20-25	23.5	29.7	26	32	20	6.6	16.1	10
32	22	40	37	40	25	9	22	10
40	26	40	37	40	25	9	26	10