

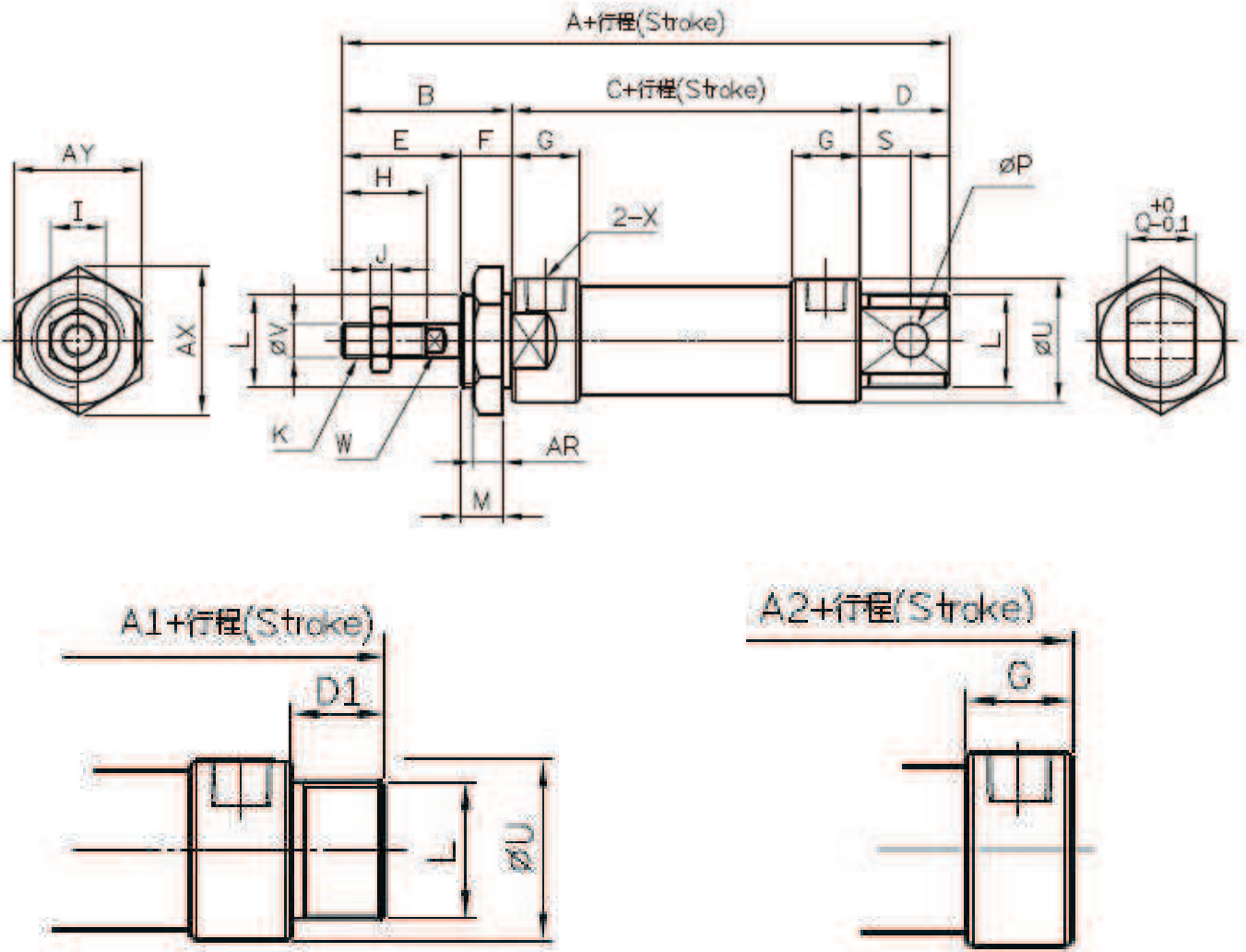


# MAL Series Cylinder



# MAL 圓形氣缸

## MAL Aluminum Alloy Mini Cylinder

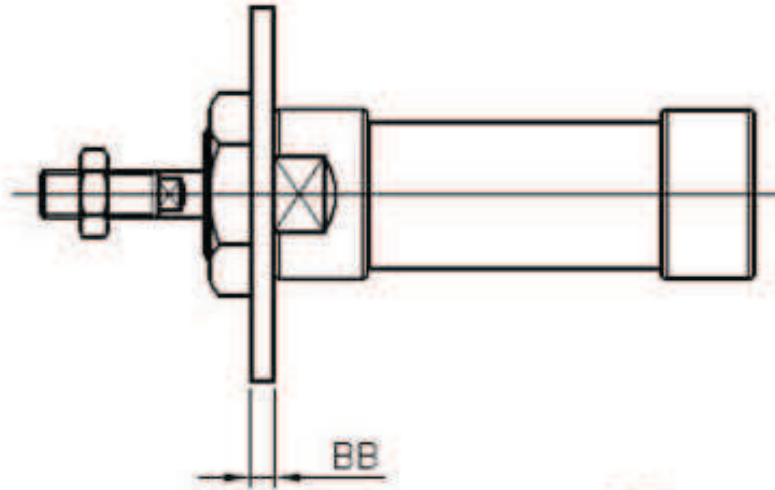


Dia	A	A1	A2	B	C	D	D1	E	F	G	H	I	J	K
16	112	-	96	38	58	16	-	22	16	10	16	10	5	M6*1.0
20	131	122	110	40	70	21	12	28	12	16	20	12	6	M8*1.25
25	135	128	114	44	70	21	14	30	14	16	22	17	6	M10*1.25
32	141	128	114	44	70	27	14	30	14	16	22	17	6	M10*1.25
40	165	152	138	46	92	27	14	32	14	22	24	19	7	M12*1.25

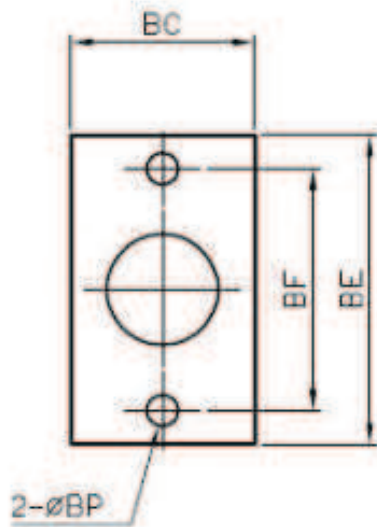
Dia	L	M	P	Q	S	U	V	W	X	AR	AX	AY
16	M16*1.5	14	6	12	8.5	24	6	-	M5*0.8	8	27	23.5
20	M22*1.5	10	8	16	12	29	8	6	PT 1/8	7	33	29
25	M22*1.5	12	8	16	12	34	10	8	PT 1/8	7	33	29
32	M24*2.0	12	10	16	15	39.5	12	10	PT 1/8	8	37	32
40	M30*2.0	12	12	20	15	49.5	16	14	PT 1/4	9	37	41

# MAL 附件 FA

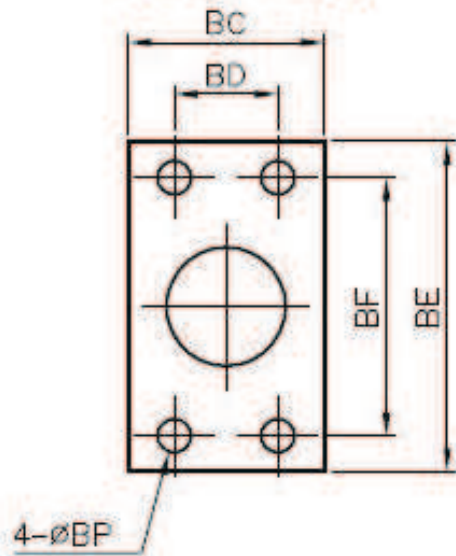
## MAL Accessory: FA Flange



∅16~∅25



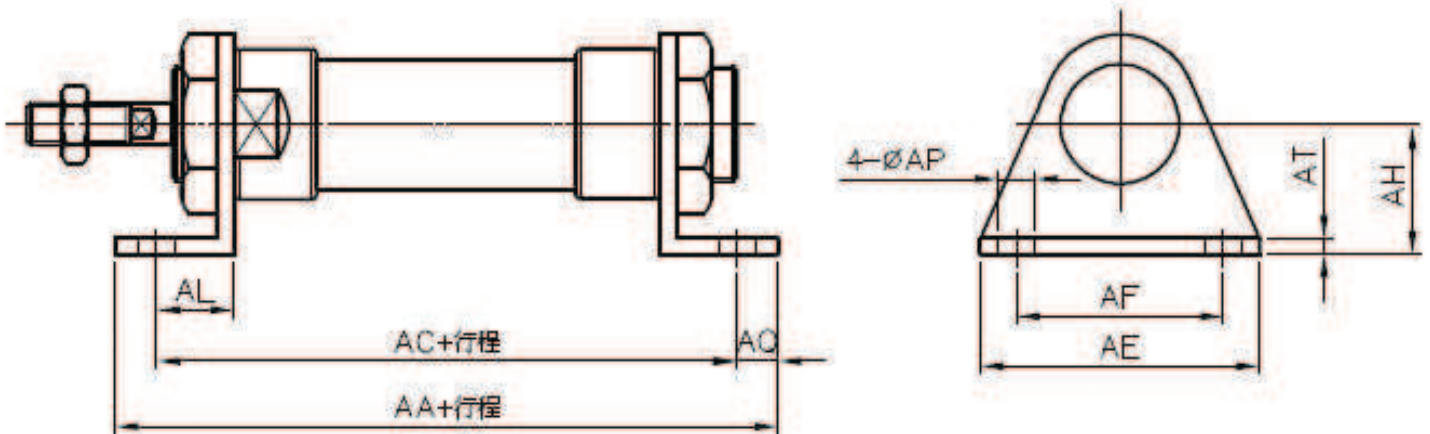
∅32~∅40



Dia	BB	BC	BD	BE	BF	BP
16	3	26	-	52	40	5.5
20	4	38	-	64	50	6.5
25	4	38	-	64	50	6.5
32	4	47	33	72	58	6.5
40	4	50	36	84	70	6.5

# MAL 附件 LB

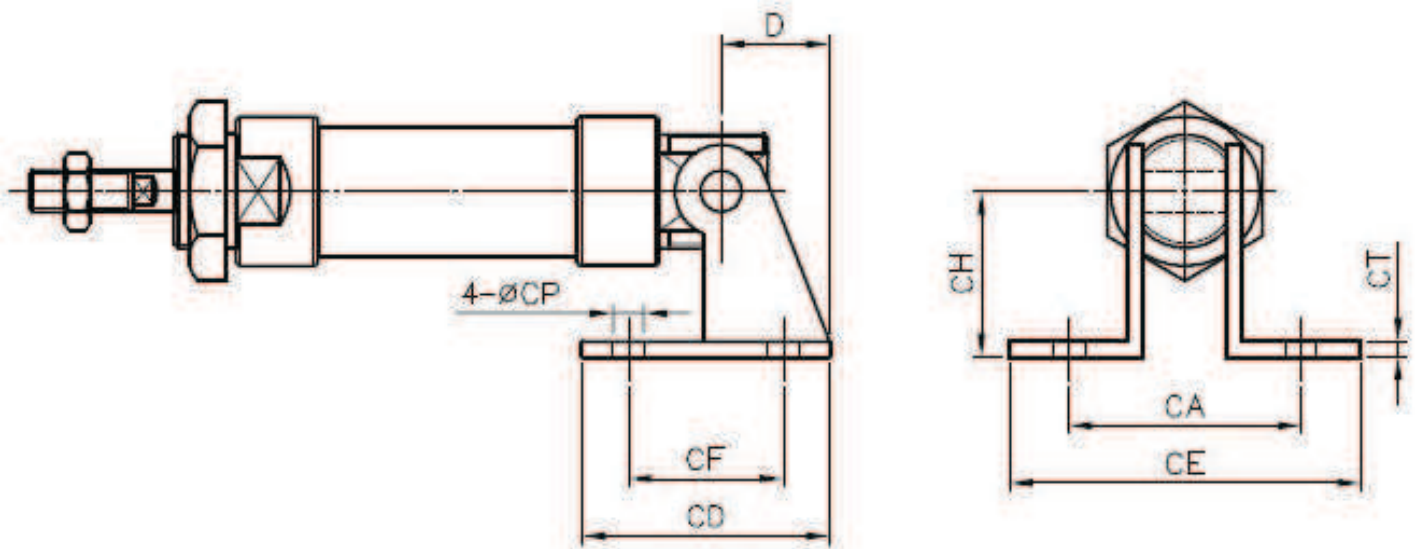
## MAL Accessory: LB Foot Mounts



Dia	AA	AC	AE	AF	AH	AL	AP	AT	AQ
16	96	84	44	32	20	13	5.5	3	6
20	116	100	54	40	25	15	6.5	3	8
25	116	100	54	40	25	15	6.5	3	8
32	136	120	59	45	32	25	6.5	3	8
40	164	148	64	50	36	28	6.3	3	8

# MAL 附件 SDB

MAL Accessory: SDB Rear Turnnion Bracket



Dia	D	CA	CD	CE	CF	CH	CT	CP
20	21	51	48	67	32	32	3	6.5
25	21	51	48	67	32	32	3	6.5
32	27	51	52	67	36	36	4	6.5
40	27	55	56	71	40	40	4	6.5

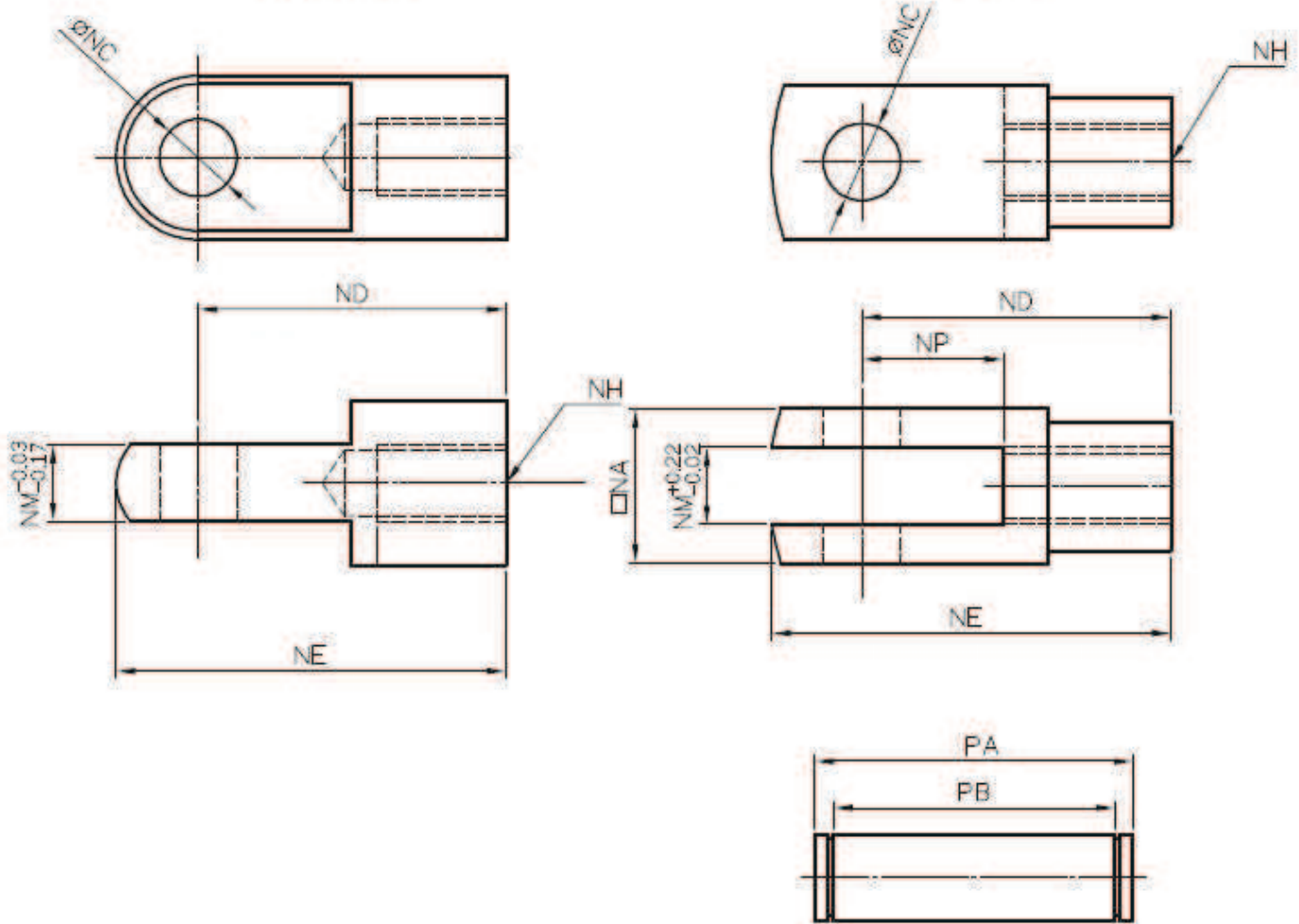
# MAL 附件 I&Y 接頭

MAL Accessory: Rod I End & Rod Fork End



I 接頭

Y 接頭



Dia	NA	NC	ND	NE	NH	NM	NP	PA	PB
16	12	5	21	28	M6*1.0	6	8.5	17	12.5
20	16	8	32	43	M8*1.25	8	16	22	16.5
25	20	10	40	48.5	M10*1.25	10.4	21	26.5	20.5
32	20	10	40	48.5	M10*1.25	10.4	21	26.5	20.5
40	24	12	48	60	M12*1.25	12.2	24	30	24.5