



Introtek's IntroPro non-invasive occlusion free-entry detection devices accurately monitors tubing occlusion in soft tubing. When tubing within an application becomes blocked (occluded), the result is a change in pressure within the tube.

These variations in tubing pressure is detected using a passive device output non-invasively with the free-entry IntroPro Occlusion Detector. This type of detection is considered critical in improving processes for various applications.

Applications the IntroPro Detector can be utilized include:

APPLICATIONS:

- Medical Devices
- Clinical Laboratories
- Pharmaceutical Manufacturing
- Automated Packaging
- Liquid & Chemical Dispensing
- Food & Beverage Process

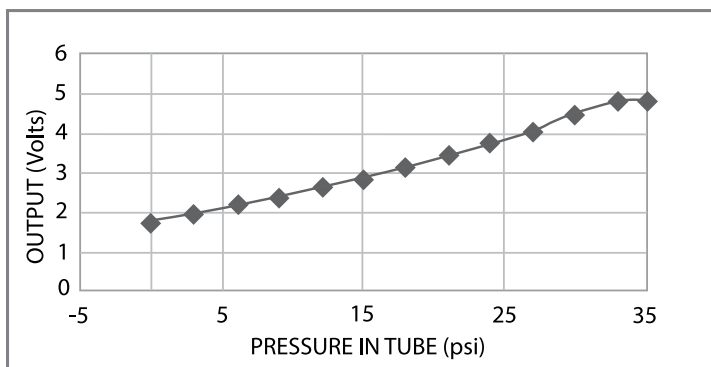
PRODUCT HIGHLIGHTS:

- Non-invasive and compact design with a durable housing
- Versatile output signal corresponds to tubing occlusion
- Factory-calibrated and maintenance-free
- Simple uni-body construction with no moving parts
- Low Cost

GENERAL CHARACTERISTICS / Technical Data

Measurement Technology	0-500 gm force on membrane. Repeatability and output are tube dependant
Sensor Housing	ABS Plastic
Mounting	Fixed installation
Input Voltage	5 VDC +/- 5%
Input Current	10 mA
Operating Temperature	+41 to +140 °F (+5 to +60 °C)
Humidity	0 - 90% Non-condensing
Output Signal	Analog 0.5 + 4.5VDC typ.

TUBE PSI vs. OUTPUT VOLTAGE



The Introtek Advantage

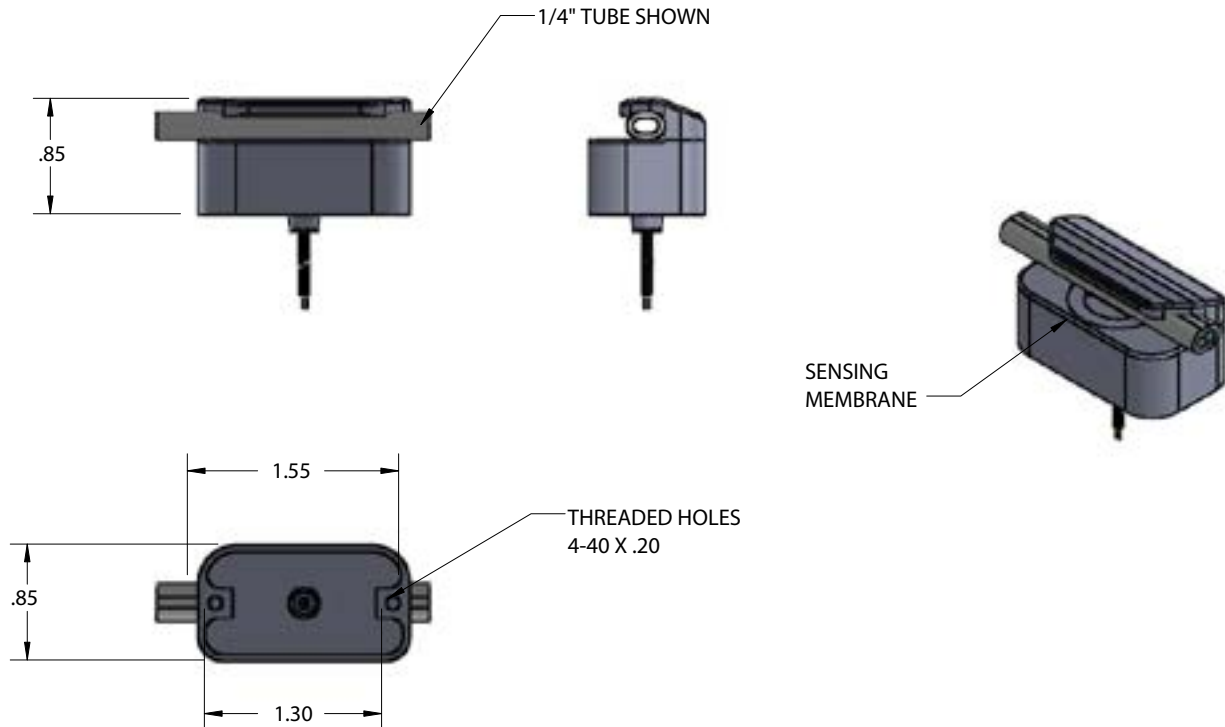
provides products of unsurpassed quality, functionality and dependability that are manufactured to the highest medical device standards and backed by a three-year warranty.

Certifications



IntroPro

Sensor Dimensions – inches (mm)



VALIDATION TESTING

The IntroPro Sensor was designed to be tested in conjunction with the following specifications:

Electrical Fast Transients:

IEC 61000-4-4: 2012

Radiated Emissions, Group 1, Class B:

CISPR 11:2015

Electrostatic Discharge:

IEC 61000-4-2:2008

Radiated Immunity:

IEC 61000-4-3:2006+A1:2007+A2:2010

Power Frequency Magnetic Fields:

Performed per IEC 60601-1-2:2014

General Safety Requirements:

IEC 60601-1:Edition 3.1 2012-08

Detector Part Number

Please contact an Introtek Application Specialist to determine the optimal configuration for your application.

Three-Year Warranty

All Introtek systems are warranted free of defects in materials or workmanship for three full years from the date of original factory shipment.

If returned within the warranty period, with no modifications to the sensor; the original manufacturing label intact; and, upon factory inspection of the unit, the cause of the malfunction is determined to be defective material or workmanship; Introtek will repair or replace the system at no cost to the purchaser (or owner) other than transportation.

If a unit is returned without an original label, the warranty is void.

Introtek shall not be liable for misapplication, labor claims, direct or consequential damage or expense arising from the installation or use of the equipment. There are no other warranties expressed or implied except special written warranties covering some Introtek products.

INTROTEK®

Excellence in Ultrasonic Technology™

Introtek International, L.P., Subsidiary of Magnetrol International, Incorporated
150 Executive Drive • Edgewood, New York 11717-9998 • 631-242-5425 • Fax 631-242-5260
www.introtek.com • info@introtek.com

©2019 Introtek International, L.P.

Magnetrol, Introtek, and Introtek logotype are registered trademarks of Magnetrol International.

Performance specifications are effective with date of issue and are subject to change without notice

Bulletin: 90-166.0
Effective: Sept. 2019