

Function Fittings PPSU / Stainless Steel AISI 316L (1.4404) (Push-in)




AVS Römer function fittings, i.e., filters, non-return valves, throttles, quick-release couplings... in combination with the Established **ELSA push-in connectors** by AVS-Römer.

Application

AVS Römer function fittings are used in a variety of neutral gaseous and liquid media. If the fitting materials are suitable, application with aggressive media is permitted. See also the information on characteristics.

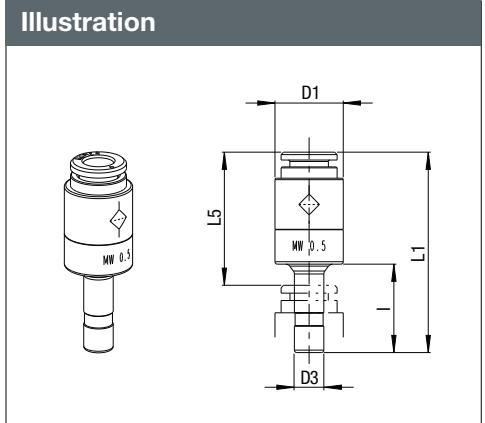
CHARACTERISTICS
BODY MATERIAL / SUITABILITY

Stainless steel AISI 316L	Corresponds to 1.4404 stainless steel . Suitable for many aggressive media, in particular at higher pressures.	
Plastic PPSU	Polyphenylsulfone . Suitable for many aggressive media with temperatures up to 140 °C (hot water, steam). Can be used with FDA-compliant FKM sealing rings or FDA-compliant and KTW-approved EPDM sealing rings in the food and pharmaceutical industries. Caution! PPSU should not be used in contact with aromatic hydrocarbons, oxidising acids, acetone, chlorinated hydrocarbons, ethers or ketones! Also, PPSU should not be placed directly in contact with anaerobic adhesives!	
Other materials	see relevant products	
Approval	NSF/ANSI 169	
TUBE		
Outside diameter [mm]	4, 6 and 8	
Perm. tolerance [mm]	±0.1	
Permitted grade	Polyamide (PA), polyurethane (PU), fluorine polymer (FEP and PFA)	
THREAD		
External thread	"G" cylindrical thread: Whitworth pipe thread DIN ISO 228-1 G 1/8-G 1/4	
OPERATING PRESSURE / TEMPERATURE		
Plastic version	Operating pressure 0 to 16 bar Temperature-dependent	Means that the allowable operating pressure OP is also dependent on the medium temperature within the allowable ambient temperature. Values on request.
Allowable operating pressure and operating temperature of pipe/tube must be observed!		
THREAD SEAL		
Cylindrical threaded nipple	Thread sealed by a FKM O-Ring in recess	applies to all cylindrical threaded nipples

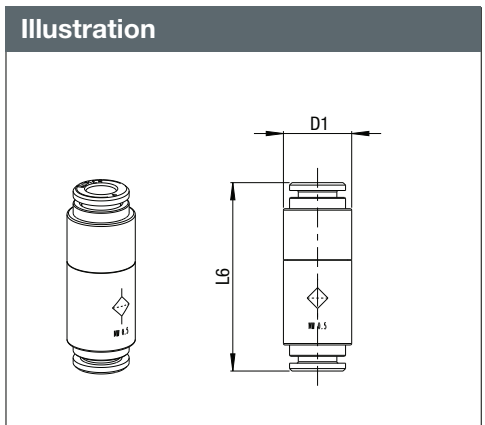
Home



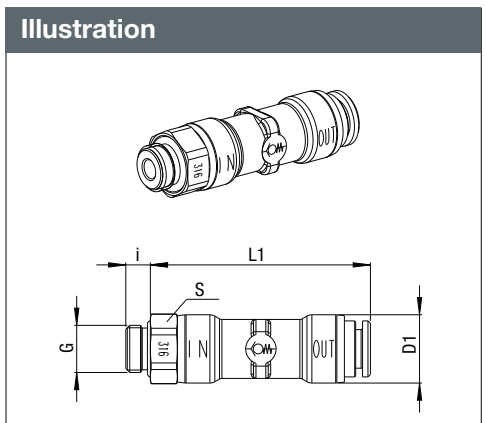
Filter with Push-in Connector and Stem												
Product group	23	PN	16		Amb. temp. T_{min} 0 °C, T_{max} +60 °C Med.-Temp. T_{min} 0 °C, T_{max} +140 °C				Plastic PPSU			
Operating pressure 0 to max. 16 bar Temperature-dependent				Material: Body: PPSU, filter: 1.4301, Seal: EPDM (KTW-approved)								
DN	KV value water [m³/h]	for tube D	D3	I	L1	L5	D1	Mesh size MW [mm]	Weight in [g]	Type	Order number	Price
2.5	0.15	4	4	17	40.5	25.5	14	0.1	4.7	SMF-947P3-4PF-D4-100	498143	o. r.
2.5	0.15	4	4	17	40.5	25.5	14	0.5	4.8	SMF-947P3-4PF-D4-500	498144	o. r.
4	0.5	6	6	18	41	25	14	0.1	4.8	SMF-947P3-6PF-D6-100	498145	o. r.
4	0.5	6	6	18	41	25	14	0.5	4.9	SMF-947P3-6PF-D6-500	498146	o. r.



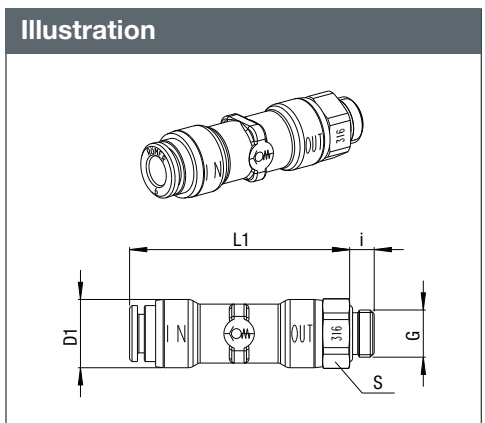
Filter with Push-in Connectors												
Product group	23	PN	16		Amb. temp. T_{min} 0 °C, T_{max} +60 °C Med.-Temp. T_{min} 0 °C, T_{max} +140 °C				Plastic PPSU			
Operating pressure 0 to max. 16 bar Temperature-dependent				Material: Body: PPSU, filter: 1.4301, Seal: EPDM (KTW-approved)								
DN	KV value water [m³/h]	for tube D	L6	D1	Mesh size MW [mm]	Weight in [g]	Type	Order number	Price			
2.5	0.15	4	37.5	14	0.1	7.3	SMF-958P3-4PF-100	498147	o. r.			
2.5	0.15	4	37.5	14	0.5	7.4	SMF-958P3-4PF-500	498148	o. r.			
4	0.5	6	38.5	14	0.1	7.6	SMF-958P3-6PF-100	498149	o. r.			
4	0.5	6	38.5	14	0.5	7.7	SMF-958P3-6PF-500	498150	o. r.			



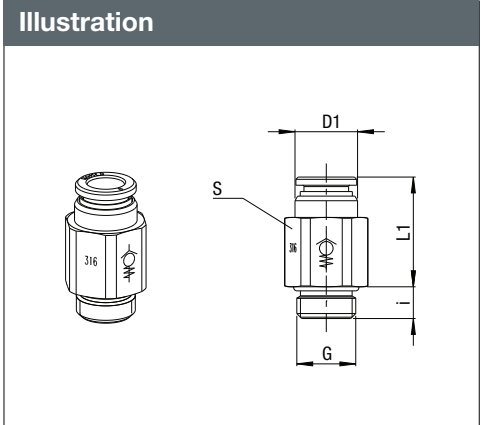
Non-Return Valve with Push-in Connector on Outlet												
Product group	23	PN	16		Constr. design: spring-loaded cone non-return valve			Amb. temp. T_{min} 0 °C, T_{max} +60 °C Med. temp. T_{min} 0 °C, T_{max} +140 °C			Plastic PPSU	
Operating pressure 0.1 to max. 16 bar; Temperature-dependent				Thread sealed by a FKM O-Ring in recess			Material: Body: PPSU, nipple: 1.4404, cone PPSU, spring: Stainless steel 1.4310, seal: FKM (FDA-compliant)					
DN	KV value water [m³/h]	for tube D	G	i	L1	D1	S	Weight in [g]	Type	Order number	Price	
2.5	0.15	4	1/8	5	48	14	13	20.2	VNR-951-P325-4FF-1/8	634901	o. r.	
2.5	0.15	4	1/4	7	48.5	14	17	29.5	VNR-951-P325-4FF-1/4	634902	o. r.	
4	0.5	6	1/8	5	45	14	13	17	VNR-951-P340-6FF-1/8	634903	o. r.	
4	0.5	6	1/4	7	45.5	14	17	26.4	VNR-951-P340-6FF-1/4	634904	o. r.	



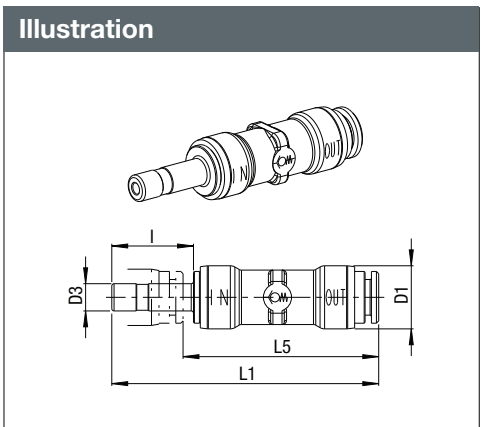
Non-Return Valve with Push-in Connector on Inlet												
Product group	23	PN	16		Constr. design: spring-loaded cone non-return valve			Amb. temp. T_{min} 0 °C, T_{max} +60 °C Med. temp. T_{min} 0 °C, T_{max} +140 °C			Plastic PPSU	
Operating pressure 0.1 to max. 16 bar; Temperature-dependent				Thread sealed by a FKM O-Ring in recess			Material: Body: PPSU, nipple: 1.4404, cone PPSU, spring: Stainless steel 1.4310, seal: FKM (FDA-compliant)					
DN	KV value water [m³/h]	for tube D	G	i	L1	D1	S	Weight in [g]	Type	Order number	Price	
2.5	0.15	4	1/8	5	44.5	14	13	16.8	VRN-951-P325-4FF-1/8	634909	o. r.	
2.5	0.15	4	1/4	7	45	14	17	26.2	VRN-951-P325-4FF-1/4	634910	o. r.	
4	0.5	6	1/8	5	45	14	13	17	VRN-951-P340-6FF-1/8	634911	o. r.	
4	0.5	6	1/4	7	45.5	14	17	26.5	VRN-951-P340-6FF-1/4	634912	o. r.	



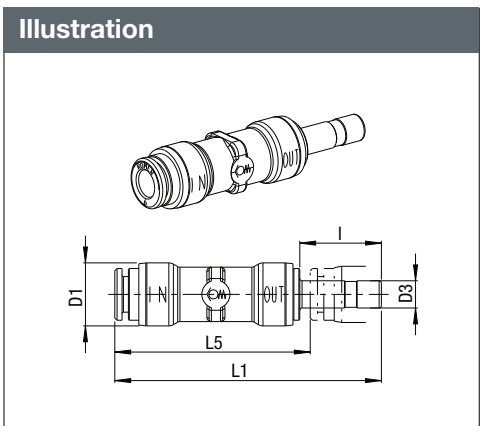
Non-Return Valve with Push-in Connector on Inlet											
Product group	23	PN	8		Constr. design: spring-loaded cone non-return valve	T_{min}	0 °C	T_{max}	+140 °C		Stainless steel AISI 316L
Operating pressure		Thread sealed by a			Material: Body: 1.4404, cone PPSU, spring: Stainless steel 1.4310, seal: FKM (FDA-compliant)						
0.1 to max. 8 bar		FKM O-Ring in recess									
DN	KV value water [m³/h]	for tube D	G	i	L1	D1	S	Weight in [g]	Type	Order number	Price
4	0.5	8	1/4	7	24	14	17	26.8	VRN-951-X 440-8FF-1/4	634943	o. r.



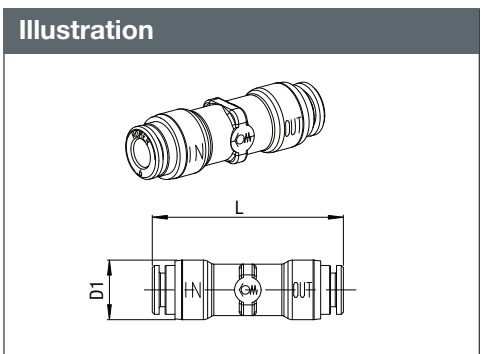
Non-Return Valve with Plug-in Connector - Stem on Inlet													
Product group	23	PN	16		Constr. design: spring-loaded cone non-return valve	Amb. temp. T_{min}	0 °C, T_{max}	+60 °C	T_{min}	0 °C, T_{max}	+140 °C		Plastic PPSU
Operating pressure		Material: Body: PPSU, Stem: 1.4404, cone PPSU, spring: Stainless steel 1.4310, seal: FKM (FDA-compliant)			Temperature-dependent								
0.1 to max. 16 bar													
DN	KV value water [m³/h]	for tube D	D3	I	L1	L5	D1	Weight in [g]	Type	Order number	Price		
2.5	0.15	4	4	17	60.5	47	14	14.3	VNR-947-P325-4FF-D4	634917	o. r.		
2.5	0.15	4	6	18	61.5	46	14	15.4	VNR-947-P325-4FF-D6	634918	o. r.		
2.5	0.15	6	4	17	57.5	43.5	14	11.2	VNR-947-P325-6FF-D4	634919	o. r.		
4	0.5	6	6	18	58.5	43.5	14	12.3	VNR-947-P340-6FF-D6	634920	o. r.		



Non-Return Valve with Plug-in Connector - Stem on Outlet													
Product group	23	PN	16		Constr. design: spring-loaded cone non-return valve	Amb. temp. T_{min}	0 °C, T_{max}	+60 °C	T_{min}	0 °C, T_{max}	+140 °C		Plastic PPSU
Operating pressure		Material: Body: PPSU, Stem: 1.4404, cone PPSU, spring: Stainless steel 1.4310, seal: FKM (FDA-compliant)			Temperature-dependent								
0.1 to max. 16 bar													
DN	KV value water [m³/h]	for tube D	D3	I	L1	L5	D1	Weight in [g]	Type	Order number	Price		
2.5	0.15	4	4	17	57	42	14	11	VRN-947-P325-4FF-D4	634925	o. r.		
2.5	0.15	4	6	18	58	42	14	12	VRN-947-P325-4FF-D6	634926	o. r.		
2.5	0.15	6	4	17	57.5	43.5	14	11.2	VRN-947-P325-6FF-D4	634927	o. r.		
4	0.5	6	6	18	58.5	43.5	14	12.3	VRN-947-P340-6FF-D6	634928	o. r.		



Non-Return Valve with Push-in Connectors													
Product group	23	PN	16		Constr. design: spring-loaded cone non-return valve	Amb. temp. T_{min}	0 °C, T_{max}	+60 °C	T_{min}	0 °C, T_{max}	+140 °C		Plastic PPSU
Operating pressure		Material: Body: PPSU, cone PPSU, spring: Stainless steel 1.4310, seal: FKM (FDA-compliant)			Temperature-dependent								
0.1 to max. 16 bar													
DN	KV value water [m³/h]	for tube D	L	D1	Temperature [°C]	Operating pressure Temperature-dependent [bar]	Weight in [g]	Type	Order number	Price			
2.5	0.15	4	47.3	13.9	0 to +140	0.1 to max. 16	11.1	VNR-958-P325-4FF	635077	o. r.			
4	0.5	6	44.6	13.9	0 to +140	0.1 to max. 16	8.1	VNR-958-P340-6FF	635080	o. r.			



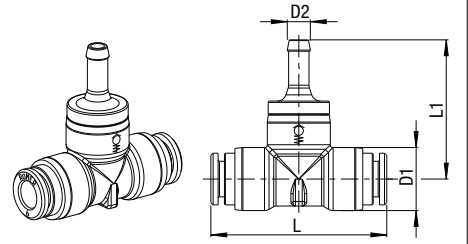
Non-Return Valve with Push-in Connectors and Hose Tail

Product group	23	PN	16		Constr. design: spring-loaded cone non-return valve	Amb. temp. T_{min} 0 °C, T_{max} +60 °C Med. temp. T_{min} 0 °C, T_{max} +140 °C		Plastic PPSU
---------------	-----------	----	----	--	---	---	--	---------------------

Operating pressure 0.1 to max. 16 bar
Temperature-dependent

Material: Body: PPSU, cone PPSU, spring: Stainless steel 1.4310, seal: FKM (FDA-compliant)

DN	KV value water [m³/h]	for tube D	for tube LW	L	L1	D1	D2	Weight in [g]	Type	Order number	Price
2.5	0.15	4	3.5-4	38	30.5	14	5.1	14.6	VRN-954-P325-4FF-4	634933	o. r.
3	2	6	3.5-4	39	30.5	14	5.1	14.7	VRN-954-P330-6FF-4	634934	o. r.

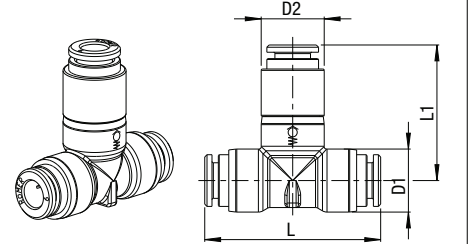
Illustration

Non-Return Valve with Push-in Connectors

Product group	23	PN	16		Constr. design: spring-loaded cone non-return valve	Amb. temp. T_{min} 0 °C, T_{max} +60 °C Med. temp. T_{min} 0 °C, T_{max} +140 °C		Plastic PPSU
---------------	-----------	----	----	--	---	---	--	---------------------

Operating pressure 0.1 to max. 16 bar
Temperature-dependent

Material: Body: PPSU, cone PPSU, spring: Stainless steel 1.4310, seal: FKM (FDA-compliant)

DN	KV value water [m³/h]	for tube D	L	L1	D1	D2	Weight in [g]	Type	Order number	Price
2.5	0.15	4	38	29.5	13	14	20.6	VRN-954-P325-4FF	634937	o. r.
4	0.3	6	39	30	17	14	19.1	VRN-954-P340-6FF	634938	o. r.

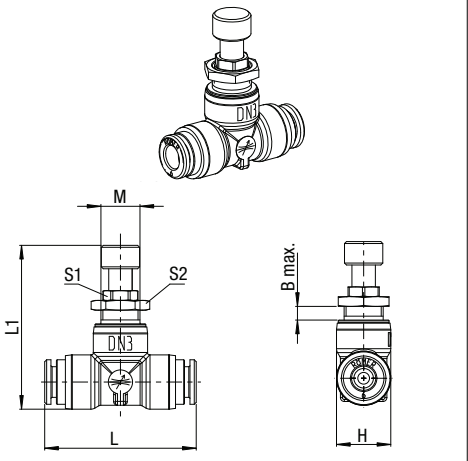
Illustration

Throttle Valve with Push-in Connectors

Product group	27	PN	20		Constr. design: Precision cone throttle	Amb. temp. T_{min} 0 °C, T_{max} +60 °C Med. temp. T_{min} 0 °C, T_{max} +140 °C		Plastic PPSU
---------------	-----------	----	----	--	---	---	--	---------------------

Operating pressure 0 to max. 20 bar
Temperature-dependent

Material: Body: PPSU, spindle 1.4404, seal: FKM (FDA-compliant)

DN	KV value water [m³/h]	for tube D	L	L1	M	B	H	S1	S2	Weight in [g]	Type	Order number	Price
1.5	0-0.05	4	38	42	M10x1	3.5	14	8	13	23	RFO-958-P315-4FF	635635	o. r.
1.5	0-0.05	6	39	42	M10x1	3.5	14	8	13	23.2	RFO-958-P315-6FF	635636	o. r.
2	0-0.1	4	38	42	M10x1	3.5	14	8	13	23.1	RFO-958-P320-4FF	635637	o. r.
2	0-0.1	6	39	42	M10x1	3.5	14	8	13	23.2	RFO-958-P320-6FF	635638	o. r.
3	0-0.2	6	39	42	M10x1	3.5	14	8	13	23.3	RFO-958-P330-6FF	635639	o. r.

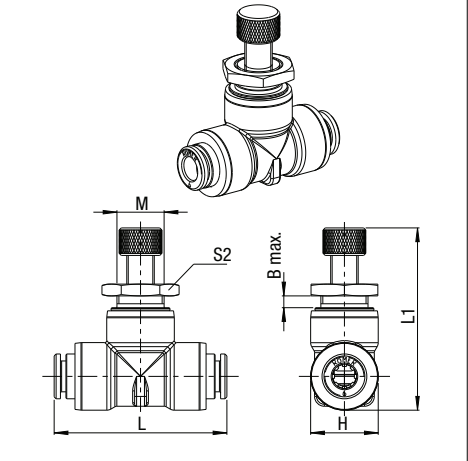
Illustration

Shut-Off Valve with Push-in Connectors

Product group	27	PN	16		Constr. design: Cone poppet valve	Amb. temp. T_{min} 0 °C, T_{max} +60 °C Med. temp. T_{min} 0 °C, T_{max} +140 °C		Plastic PPSU
---------------	-----------	----	----	--	-----------------------------------	---	--	---------------------

Operating pressure 0 to max. 16 bar
Temperature-dependent

Material: Body: PPSU, spindle 1.4404, Seal: FKM (FDA-compliant)

DN	KV value water [m³/h]	for tube D	L	L1	M	B	H	S2	Weight in [g]	Type	Order number	Price
4	0-0.5	6	44	46.5	M12x1	3.5	17	17	35.6	AFO-958-P340-6FF	694949	o. r.

Illustration


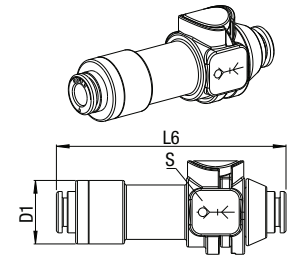
Quick Coupling with Push-in Connectors - int. NRV

 Product group **23**
 Constr. design: Quick-release coupling with single-sided integrated non-return valve

Plastic PPSU

Material: Body: PPSU, cone PPSU, spring: Stainless steel 1.4310, seal: FKM (FDA-compliant)

DN	KV value water [m³/h]	for tube D	Max. allow. OP [bar] at medium temp.			L6	D1	S	Weight in [g]	Type	Order number	Price
			20 °C	100 °C	140 °C							
2.5	0.16	4	12	8	4	62.5	17.5	20	18.4	SVK-958-P325-4FF	359320	o. r.
4	0.35	6	12	8	4	63.5	17.5	20	18.6	SVK-958-P340-6FF	359321	o. r.

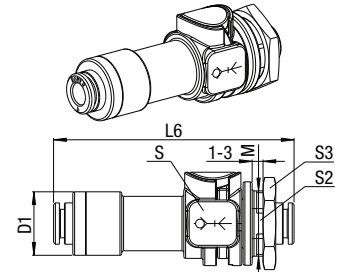
Illustration

Bulkhead Quick Coupling with Push-in Connectors, int. NRV

 Product group **23**
 Constr. design: Schott quick-release coupling with single-sided integrated non-return valve

Plastic PPSU

Material: Body: PPSU, cone PPSU, spring: Stainless steel 1.4310, seal: FKM (FDA-compliant)

DN	KV value water [m³/h]	for tube D	Max. allow. OP [bar] at medium temp.			L6	M	D1	S	S2	S3	Weight in [g]	Type	Order number	Price
			20 °C	100 °C	140 °C										
2.5	0.16	4	12	8	4	65.5	M18x1	17.5	20	16	22	25.5	SVK-959-P325-4FF	359322	o. r.
4	0.35	6	12	8	4	66.5	M18x1	17.5	20	16	22	26.0	SVK-959-P340-6FF	359323	o. r.

Illustration

Pressure Relief Valve

 Product group **23**
 Constr. design: Pressure relief valve

Plastic PPSU

 Max. allow. OP at ambient temp.
 $T_{min} 0\text{ °C}, T_{max} +60\text{ °C}$

Material: Body: PPSU, spring: Stainless steel 1.4310, contact with the medium internals: Stainless steel 1.4404; seal: FKM (FDA-compliant)

This pressure relief valve is not approved as a safety valve!

for tube AD	for tube BD	DN	Max. allow. OP [bar] at medium temp.			L	opening pressure [air]	Weight in [g]	Type	Order number	Price
			20 °C	100 °C	140 °C						
4	6	2.5	6	6	6	38	3	27	UDV-982P3-6-4PF-030	499101	o. r.
4	6	2.5	10	10	10	38	6	27	UDV-982P3-6-4PF-060	499102	o. r.
4	6	2.5	14	12	10	38	10	27	UDV-982P3-6-4PF-100	499103	o. r.
6	6	2.5	6	6	6	39	3	28	UDV-982P3-6PF-030	499104	o. r.
6	6	2.5	10	10	10	39	6	28	UDV-982P3-6PF-060	499105	o. r.
6	6	2.5	14	12	10	39	10	28	UDV-982P3-6PF-100	499106	o. r.

Illustration
