

# R160

## Precision pressure regulator



### FEATURES

Precision pressure regulator for inlet pressure up to 6 bar (87 psi).

Standard version inlet port G1/2-F and outlet port G3/4-F. NPT connections, by added nipples, available on request.

Outlet pressure is controlled by a rubber diaphragm. The main valve is balanced.

Available the ATEX version

Brand **CE**  II 2GDc IICX.

For use in potentially explosive atmospheres zones: 1, 21, 2, 22 (not applicable in mines and zone 0).

The product complies with the directive 97/23/CE PED.

## **SPECIFICATIONS**

Weight: ~1.3 kg (~2.9 lb)

Operating temperature: -20°C ÷ +60°C (-4°F ÷ 140° F) for standard version

Main valve leakage classification: VI

Minimum outlet pressure: 5 mbar for model A, 10 mbar for models B and C.

Flow coefficient:  $K_v = 0.4 \text{ Nm}^3/\text{h}$  ( $C_v = 0,47 \text{ USgal}/\text{min}$ )

Degree of protection: IP25

G $\frac{1}{4}$  ports for outlet pressure gauge

Adjusting screw to set inlet pressure

## **MATERIALS**

Body: anodized aluminium

Bonnet: stainless steel AISI 316L

Internal parts: brass/AISI 316L

Adjusting spring: C85

Diaphragm: single diaphragm in NBR, NBR and PTFE coupled diaphragms in for O<sub>2</sub> and CO<sub>2</sub> versions (PTFE diaphragm in contact with the fluid)

O-Rings: NBR/EPDM/FPM (depending on the fluid)

Main valve gasket: NBR/EPDM/FPM (depending on the fluid)

## **ACCESSORIES**

Gauges kit: accuracy class 1,6

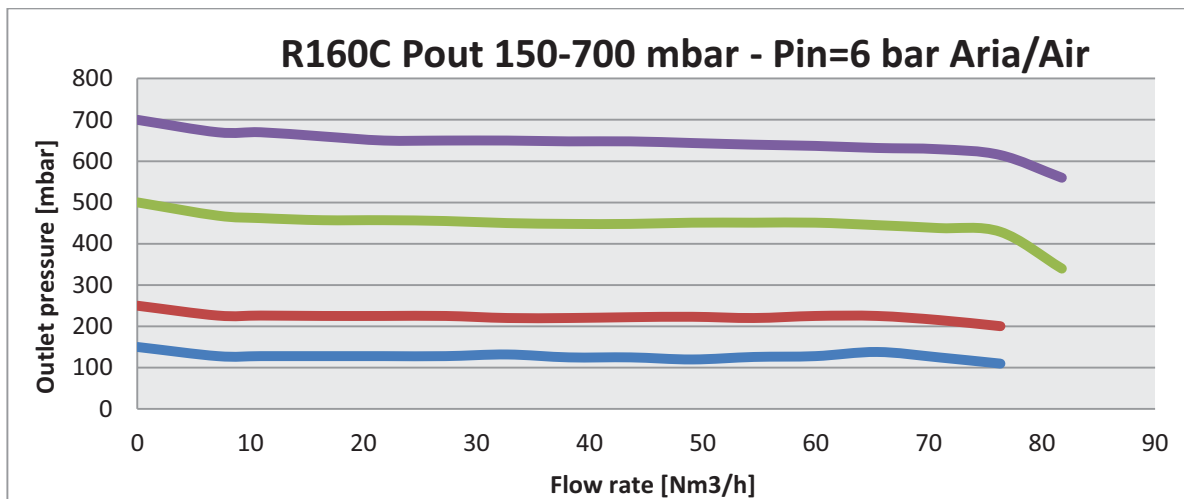
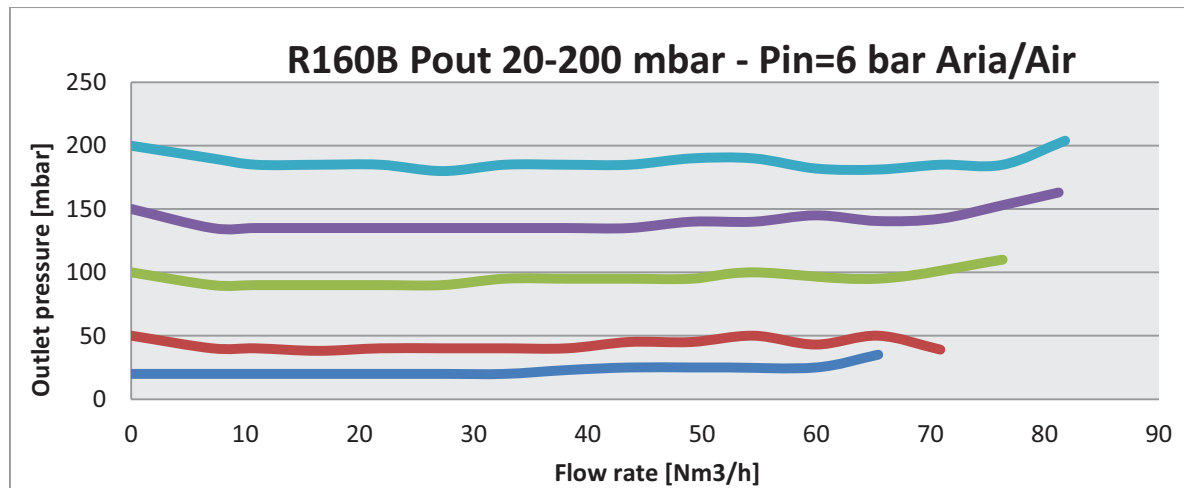
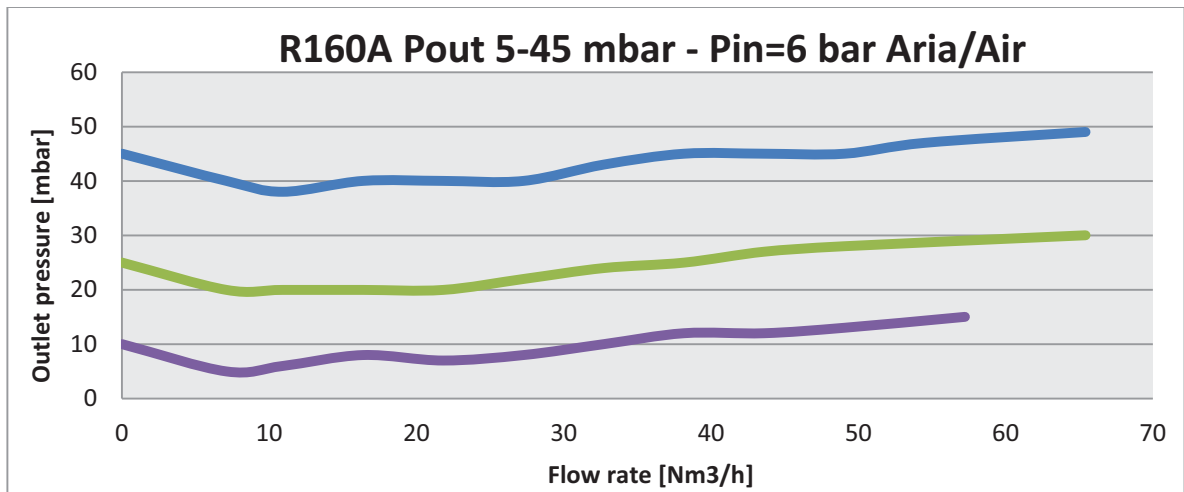
Bracket kit: M11203

## **SPARE PARTS**

Gauges

Complete kit: assembled diaphragm, net filter, main valve, O-rings

flow charts



## available model types

### Regolatori di pressione ad alta sensibilità High sensibility pressure regulators

Campana in acciaio inox 316L / Bonnet of stainless steel 316L

Corpo alluminio anodizzato / Body of anodized aluminium

Particolari interni in ottone / Internal parts of brass

TYPE	PS bar	P.Out mbar	CONNECTION IN	CONNECTION OUT	CODE	MEDIUM
						<b>R160</b>
R 160 A	6	5-45	G 1/2-F	G 3/4-F	160#PO	O2
						*
						**
R 160 B	6	20-200	G 1/2-F	G 3/4-F	160#PO	O2
						*
						**
R 160 C	6	150-700	G 1/2-F	G 3/4-F	160#PO	O2
						*
						**

\* Aria - N2 - He - Ar - H2 - C3H8 - CH4

\*\* CO2 - N2O

#### ATTACCHI DIVERSI DA STANDARD / CONNECTION DIFFERENT FROM STANDARD

Attacchi entrata/uscita NPT con nipples esterni / Inlet/outlet connections NPT

#### ESECUZIONI DIVERSE DA STANDARD / EXECUTIONS DIFFERENT FROM STANDARD

Pressione entrata 7 bar / Inlet pressure 7 bar

O-ring secondo FDA / O-ring according to FDA

O-ring diversi da standard - FPM / O-ring different from standard - FPM

O-ring diversi da standard - EPDM / O-ring different from standard - EPDM

Convogliamento su campana / Connection for bonnet piping

Stampigliatura su specifica del cliente / Not standard branding

Versione ATEX / ATEX version

Temperatura diversa da standard / Temperature different from standard

Sgrassato uso O2 / Degreased for O2

#### ACCESSORI / ACCESSORIES

Staffa M11203 / Bracket M11203

Kit manometro ø 63 e raccordo

Gauge ø 63 back connection with fitting

R 160 A	M62201	0+60 mbar 0+600 mmH2O
R 160 B	M62202	0+300 mbar 0+3000 mmH2O
R 160 C	M62203	0+1 bar

## generating the product code

Regolatore R160 LL			
AA BB CC DD E FF			
AA	Attacchi / Connections	P0	IN G 1/2-F - OUT G 3/4-F
BB	Pressione ingresso / Inlet pressure	A0	PS 6 bar
CC	Intervallo uscita / Outlet range	N0	MOD A Pout 5 - 45 mbar
		P0	MOD B Pout 20 - 200 mbar
		Q0	MOD C Pout 150 - 700 mbar
DD	Tipologia di fluido / Fluid type	15	O2
		97	NBR
		98	EPDM
		99	FPM
E	Marchiato / Marked	I	ID
		Z	Dir ATEX 94/9 CE
FF	Accessori / Accessories	00	Nessun accessorio

### CODE COMPOSITION EXAMPLE

**160#P0 A0 P0 15 I 00**

**160#:** Regulator R160 in LL

**P0:** Inlet connection G1/2-F and outlet connection G<sup>3</sup>/<sub>4</sub>-F

**A0:** Maximum inlet pressure 6 bar

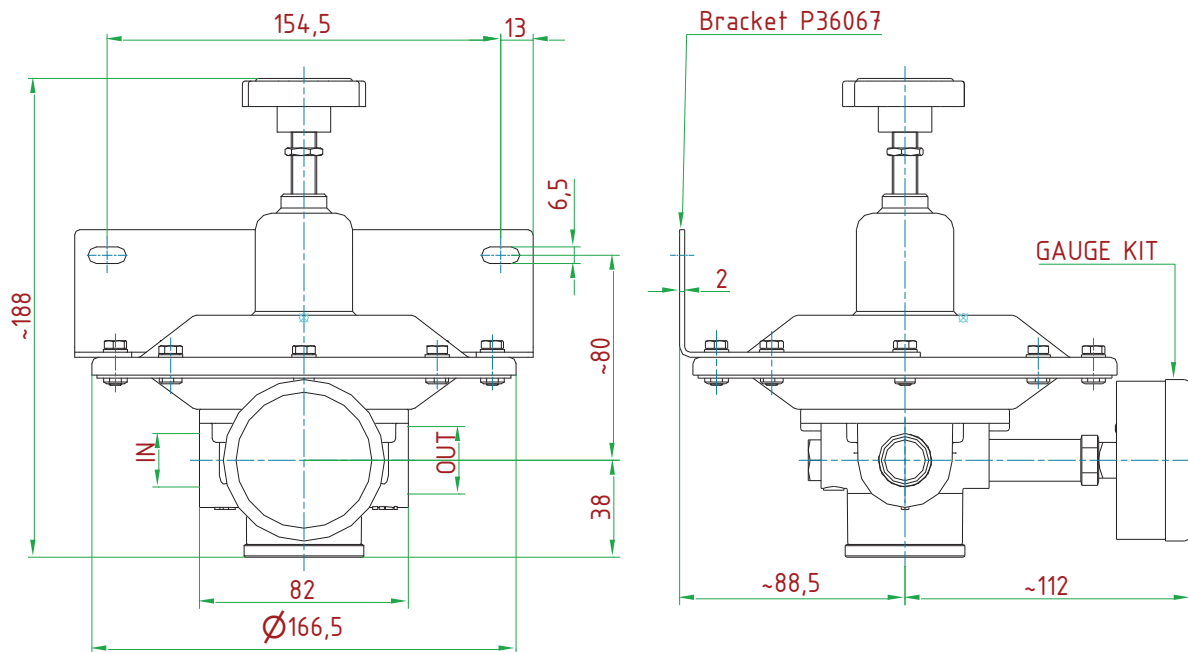
**P0:** Outlet pressure range 20 - 200 mbar

**15:** Oxygen version

**I**

**00:** No accessories

## technical drawings (dimensions in mm)



TYPE	IN	OUT
E.1/2"GF - U.3/4"GF	G 1/2-F	G 3/4-F
E.1/2"NPTF - U.3/4"NPTF	1/2" NPT-F	3/4" NPT-F

MODEL	Pout	GAUGE KIT	GAUGE
R160A	5÷45 mbar	M62201	0÷60 mbar
R160B	20÷200 mbar	M62202	0÷300 mbar
R160C	150÷700 mbar	M62203	0÷1 bar