

R3160

Stainless steel AISI 316L precision pressure regulator



FEATURES

Precision pressure regulator for inlet pressure up to 6 bar (87 psi).

Standard version inlet port G1/2-F and outlet port G3/4-F. NPT connections, by added nipples, or flanged connections available on request.

Outlet pressure is controlled by a rubber diaphragm. The main valve is balanced.

Available the ATEX version
Brand $\text{CE} \text{Ex} \text{II}2\text{GDcllCX}$.

For use in potentially explosive atmospheres zones: 1, 21, 2, 22 (not applicable in mines and zone 0).

The product complies with the directive 97/23/CE PED.

SPECIFICATIONS

Weight: ~2.3 kg (~5,1 lb)

Standard version operating temperature: -20°C ÷ +60°C (-4°F ÷ 140°F)

Main valve leakage classification: VI

Minimum outlet pressure: 5 mbar for model A, 10 mbar for models B and C.

Flow coefficient: Kv= 0.4 Nm³/h (Cv= 0,47 US gal/min)

Degree of protection: IP25

G¼ ports for outlet pressure gauge

Adjusting screw to set outlet pressure

MATERIALS

Body: stainless steel AISI 316L

Bonnet: stainless steel AISI 316L

Internal parts: stainless steel AISI 316L

Adjusting spring: AISI 302 (not in contact with the fluid)

Diaphragm: NBR and PTFE coupled diaphragms (PTFE diaphragm in contact with the fluid)

O-Rings: FPM (EPDM for CO2 version)

Main valve gasket: FPM (EPDM for CO2 version)

ACCESSORIES

Gauge kit: accuracy class 1,6

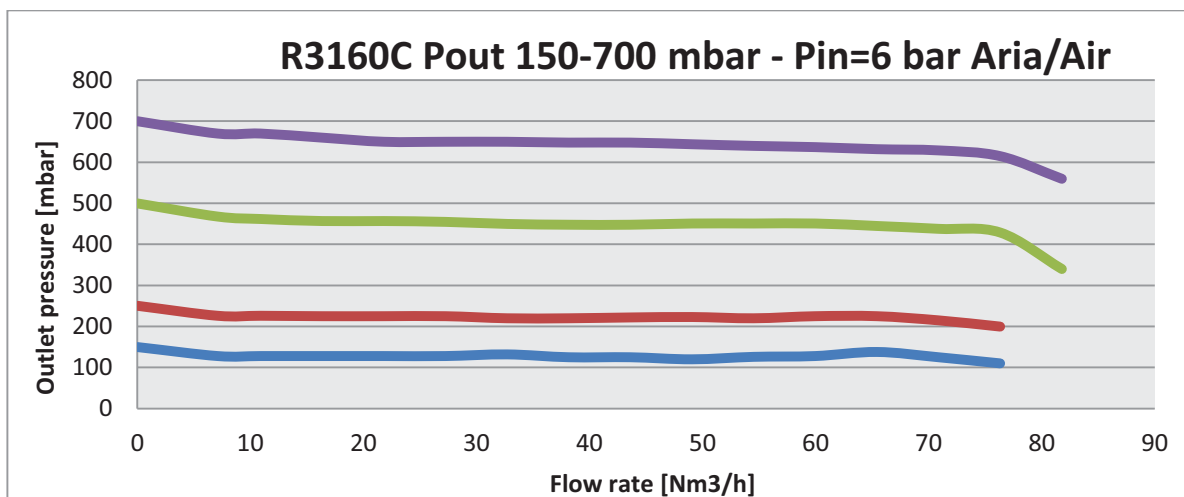
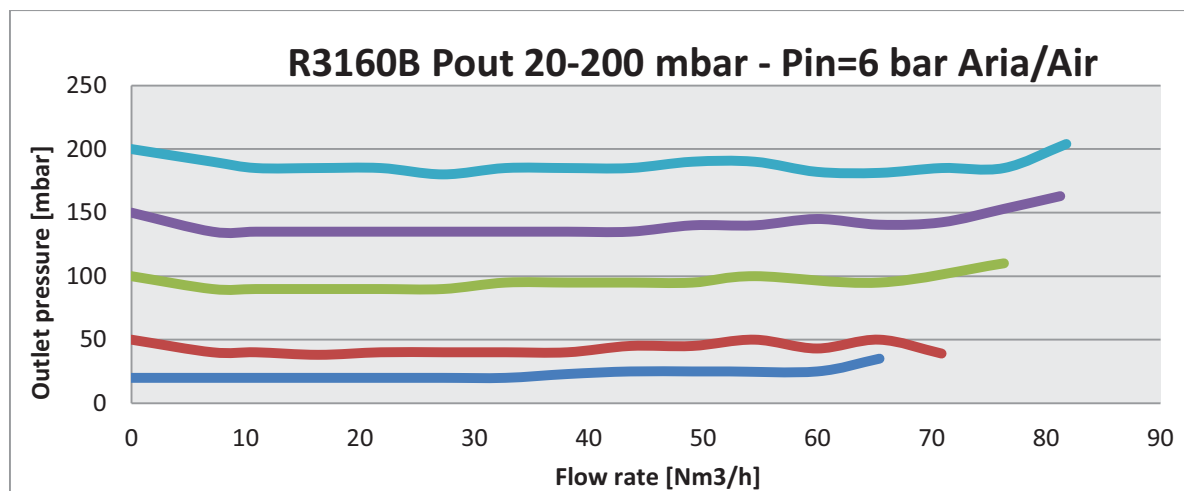
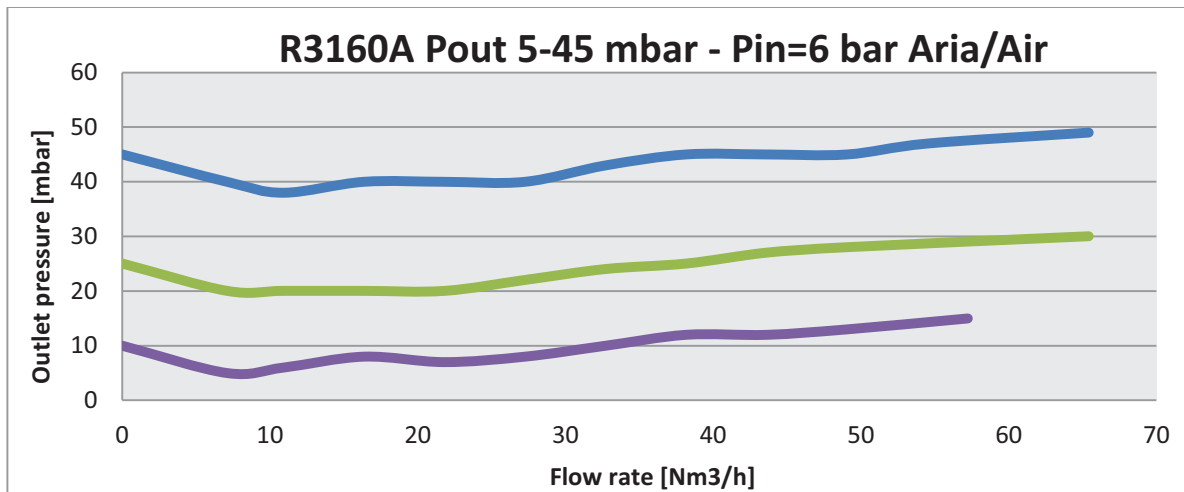
Bracket kit: M11203

SPARE PARTS

Gauges

Complete kit: assembled diaphragm, net filter, main valve, O-rings

flow charts



available model types

Regolatori di pressione ad alta sensibilità High sensibility pressure regulators

Campana in acciaio inox 316L / Bonnet of stainless steel 316L

Corpo in acciaio inox 316L / Body of stainless steel 316L

Particolari interni in acciaio inox 316L / Internal parts of stainless steel 316L

TYPE	PS bar	P.Out mbar	CONNECTION IN	CONNECTION OUT	CODE	MEDIUM
						R3160
R 3160 A	6	5-45	G 1/2-F	G 3/4-F	3160#PO	O2
						*
						**
R 3160 B	6	20-200	G 1/2-F	G 3/4-F	3160#PO	O2
						*
						**
R 3160 C	6	150-700	G 1/2-F	G 3/4-F	3160#PO	O2
						*
						**

* Aria - N2 - He - Ar - H2 - C3H8 - CH4

** NH3 - CO2 - N2O

ATTACCHI DIVERSI DA STANDARD / CONNECTION DIFFERENT FROM STANDARD

Attacchi entrata/uscita NPT con nipples esterni / Inlet/outlet connections NPT

Attacchi flangiati / Connections with flanges

ESECUZIONI DIVERSE DA STANDARD / EXECUTIONS DIFFERENT FROM STANDARD

Pressione entrata 7 bar / Inlet pressure 7 bar

Pressione uscita pretarata (solo per mod. B-C) / Pre-set outlet pressure (only for mod. B-C)

O-ring secondo FDA / O-ring according to FDA

O-ring diversi da standard - EPDM / O-ring different from standard - EPDM

Convogliamento su campana / Connection for bonnet piping

Stampigliatura su specifica del cliente / Not standard branding

Versione ATEX / ATEX version

Temperatura diversa da standard / Temperature different from standard

Sgrassato uso O2 / Degreased for O2

ACCESSORI / ACCESSORIES

Staffa M11203 / Bracket M11203

Kit manometro ø 63 e raccordo inox

Stainless steel Gauge ø 63 back connection with fitting

R 3160 A	M63301	0+60 mbar 0+600 mmH2O
R 3160 B	M63302	0+300 mbar 0+3000 mmH2O
R 3160 C	M63303	0+1 bar

generating the product code

R 3160 IN AISI 316			
AA BB CC DD E FF			
AA	Attacchi / Connections	P0	IN G 1/2-F - OUT G 3/4-F
BB	Pressione ingresso / Inlet pressure	A0	6 bar
CC	Intervallo uscita / Outlet range	N0	MOD A Pout 5 - 45 mbar
		P0	MOD B Pout 20 - 200 mbar
		Q0	MOD C Pout 150 - 700 mbar
DD	Tipologia di fluido / Fluid type	15	O2
		98	EPDM
		99	FPM
E	Marchiato / Marked	I	ID
		Z	Dir ATEX 94/9 CE
FF	Accessori / Accessories	00	Nessun accessorio

CODE COMPOSITION EXAMPLE

3160#P0 A0 P0 15 I 00

3160#: Regulator R3160 in AISI316

P0: Inlet connection G1/2-F and outlet connection G3/4-F

A0: Maximum inlet pressure 6 bar

P0: Outlet pressure range 20 - 200 mbar

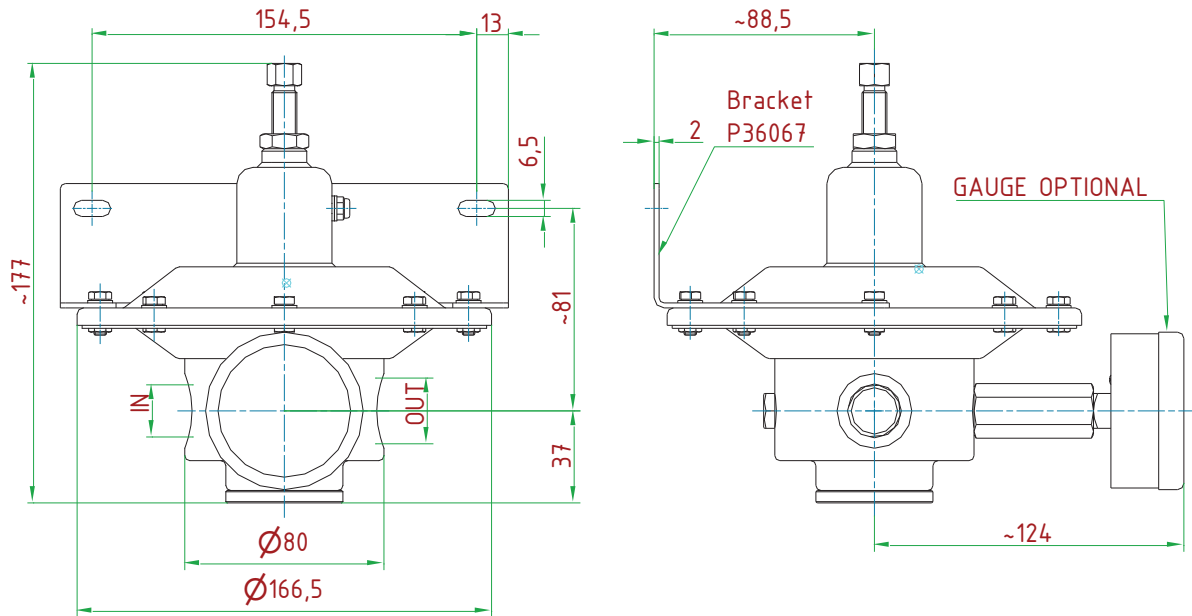
15: Oxygen version

I

00: No accessories

technical drawings (all dimensions in mm)

Bracket to be ordered separately, Kit order number: M11203



TYPE	IN	OUT
E.1/2"GF U.3/4"GF	1/2"G F	3/4"G F

MODEL	Pout	GAUGE KIT	GAUGE
R3160A	5÷45 mbar	M63301	0÷60 mbar
R3160B	20÷200 mbar	M63302	0÷300 mbar
R3160C	150÷700 mbar	M63303	0÷1 bar