

# 210R2

Aluminium pressure regulator series 10, suitable for compressed air and gases.



## FEATURES

Pressure regulator for inlet pressure up to 30 bar (435 psi).

Connections

3/4"-F;

1" -F;

1" 1/4-F;

1" 1/2-F

GAS or NPT, by flanges screwed to the body.

Connections with EN or ASME flanges available on request.

A piston in aluminum controls outlet pressure.

The main valve is balanced.

Overpressure relieving function, available for compressed air version.

Available the ATEX version

Brand  II 2GDc IICX.

For use in potentially explosive atmospheres zones: 1, 21, 2, 22 (not applicable in mines and zone 0).

The product complies with the directive 97/23/CE PED.

Available units composed of:  
Filter + regulator + lubricator.

## **SPECIFICATIONS**

Weight: ~2.9 kg (~6.4lb)

Operating temperature: -20°C ÷ +60°C (-4°F ÷ 140°F)

Main valve leakage classification: VI (bubble tight)

Flow coefficient Kv= 5.4 Nm<sup>3</sup>/h (CV = 6.3 US gal/min)

Degree of protection: IP25

1/4" gauge port for outlet pressure by flanges screwed to the body.

## **MATERIALS**

Body and bonnet: aluminium

Internal parts: aluminium/brass

Main valve spring: stainless steel AISI 302

Adjusting spring: C85 (not in contact with the fluid)

Piston: aluminium

O-Rings: NBR/EPDM according to the gas

Main valve gasket: NBR/EPDM according to the gas

## **ACCESSORIES**

Bracket for wall mounting: P36107030304

Ring nut for panel mounting: P35017030304

Dome loaded version: outlet pressure to be controlled by a pilot pressure.

Outlet pressure gauge.

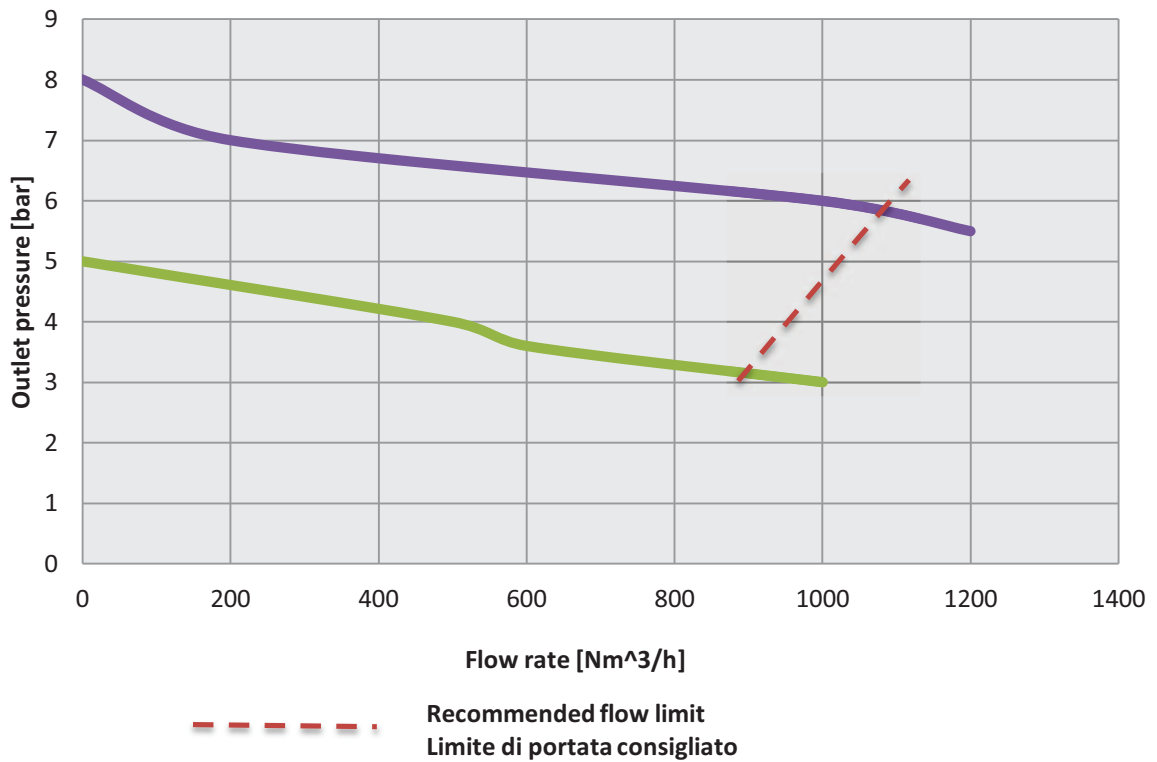
## **SPARE PARTS**

Gauges

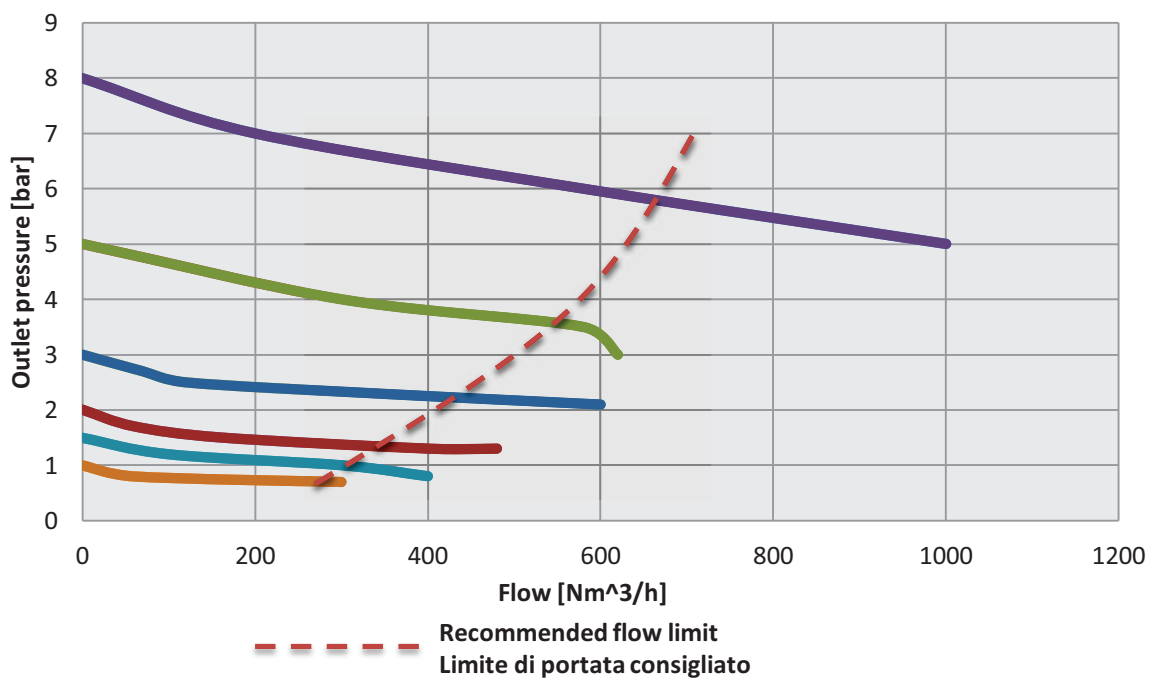
Complete kit: O-rings, complete main valve, net filter

## Flow charts

### 210R2 - Pin=30 bar - Azoto/Nitrogen



### 210R2 - Pin=10 bar - Aria/Air



## Available model types

### Regolatori di pressione in alluminio per media pressione Aluminium pressure regulators for medium pressure

Regolatori di pressione per media pressione in lega leggera,  
idonei per aria compressa e gas tecnici non corrosivi.

Pressure regulators for medium pressure, made of aluminum,  
for compressed air and technical non-corrosive gases.

Corpo e campana da lavorazione da barra-NO manometro / Body machined from solid bar-Without gauge

TYPE	CONNECTION IN/OUT IN	PS bar	P.Out bar	MEDIUM
				<b>210R2</b>
<b>210R2</b>	G 3/4-F	15	0,2-1,5	NH3
			0,3-3	
	G 1-F	30	0,2-1,5	CO2
			0,3-3 0,8-8 1,5-15	* Relieving

\* Aria - N2 - He - Ar - H2 - C3H8 - CH4

#### CONNESSIONI DIVERSE DA STANDARD / CONNECTIONS DIFFERENT FROM STANDARD

G 1"1/4-F
G 1"1/2-F
3/4"NPT-F
1" NPT-F
1"1/4NPT-F
1"1/2NPT-F
Attacchi flangiati / Connections with flanges

#### ESECUZIONI DIVERSE DA STANDARD / MODELS DIFFERENT FROM STANDARD

Pressione uscita pretarata / Pre-set outlet pressure
Pressione uscita tarata fissa, vite con dado cieco / Fixed outlet pressure, screw with cap nut
O-ring diversi da standard / O-rings different from standard
Convogliamento su campana / Connection for bonnet piping
Stampigliatura su specifica del cliente / Not standard branding
Versione ATEX / ATEX version
Temperature diverse da standard / Special temperature range
Manometro per pressione di uscita / Gauge for outlet pressure

#### ACCESSORI / ACCESSORIES

Ghiera P35017030304 / Ring nut P35017030304
Staffa P36107030304 / Bracket P36107030304

## Generating the product code

Regolatore serie 10 in alluminio / Aluminium pressure regulator series 10			
AA BB CC DD E FF GG			
AA	Attacchi / Connections	Q0	G 3/4-F
		R0	G1-F
		J0	G1 1/4-F
		S0	G1 1/2-F
		X0	3/4"NPT-F
		Y0	1"NPT-F
		B0	1 1/4"NPT-F
		Z0	1 1/2"NPT-F
BB	Pressione ingresso / Inlet pressure	D0	PS 30 bar
		B0	PS 15bar
CC	Intervallo uscita / Outlet range	A0	Pout 0,2÷1,5 bar
		B0	Pout 0,3÷3 bar
		D0	Pout 0,8÷8 bar
		E0	Pout 1,5÷15 bar
DD	Tipologia di fluido / Fluid type	97	Aria/Air - N2 - He - Ar - H2 - C3H8 - CH4
		98	NH3 - CO2
E	Relieving / Relieving	0	Non relieving
		1	Relieving
FF	Marchiato / Marked	I0	ID
		Z0	Dir.ATEX 94/9/CE
GG	Accessori/ Accessories	00	Nessun accessorio / No accessories
		06	Manometro / Pressure gauge

### CODE COMPOSITION EXAMPLE

**210R2#R0 D0 A0 97 1 I0 00**

**210R2#:** Aluminium pressure regulator series 10

**J0:** Connection G1 1/4-F

**D0:** Maximum inlet pressure 30 bar (435 psi)

**D0:** Outlet pressure range 0,8÷8 bar

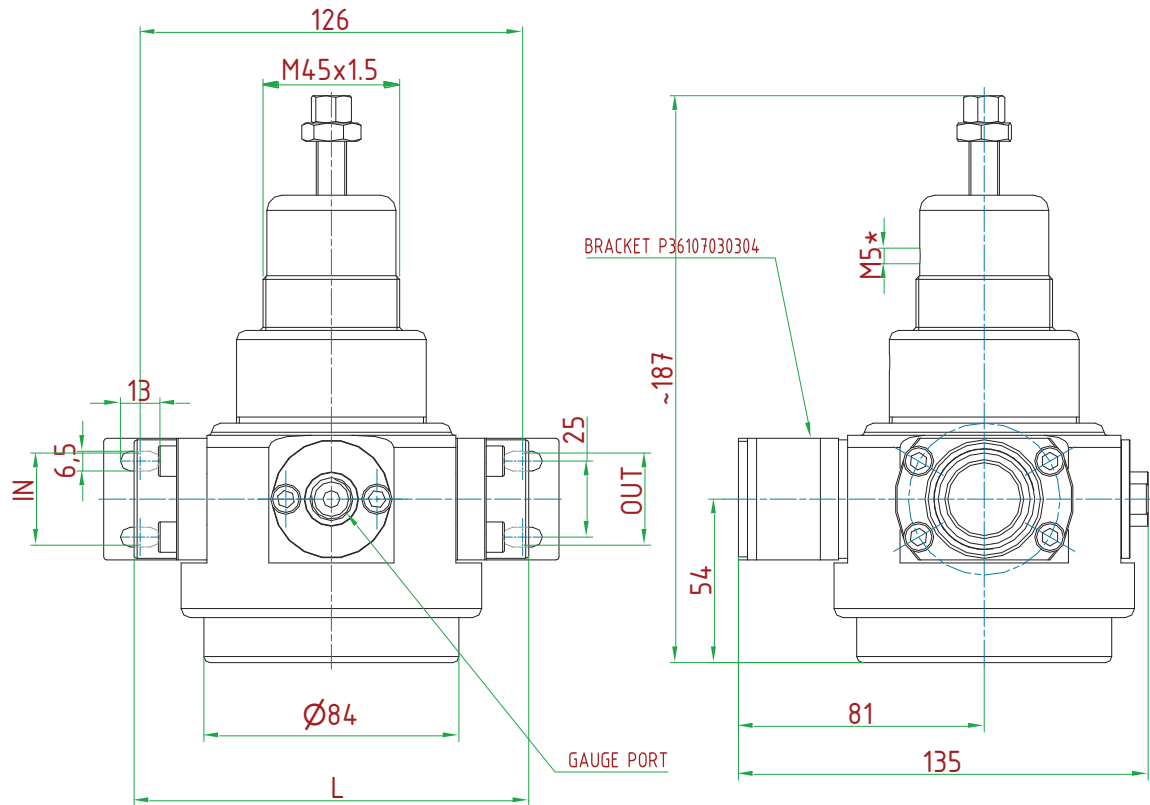
**97:** Air

**1:** Relieving

**I0:** ID Insert Deal brand

**00:** No accessories

## Technical drawings (dimensions in mm)



\*FOR PIPE CONNECTION WHEN REQUIRED; RANDOM ORIENTATION

TYPE	IN/OUT	L [mm]	GAUGE PORT
210R2 G3/4	G3/4-F	130	G 1/4
210R2 G1	G1-F	130	G 1/4
210R2 G1 1/4	G1 1/4-F	241	G 1/4
210R2 G1 1/2	G1 1/2-F	241	G 1/4
210R2 3/4" NPT	3/4" NPT-F	130	1/4 NPT
210R2 1" NPT	1" NPT-F	130	1/4 NPT
210R2 1 1/4" NPT	1 1/4" NPT-F	241	1/4 NPT
210R2 1 1/2" NPT	1 1/2" NPT-F	241	1/4 NPT