

310R2

Stainless steel AISI 316L pressure regulator “serie 10”
for compressed air, gas and liquids



FEATURES

Pressure regulator for inlet pressure up to 50 bar (725 psi) in the standard version.

Connections $\frac{3}{4}$ "-F and 1"-F by flanges screwed to the body . Other connections available on request.

Outlet pressure is controlled by a piston in stainless steel (AISI 316L).
Main valve is balanced.

Available the ATEX version

Brand  II 2GDc IICX.

For use in potentially explosive zones: 1, 21, 2, 22 (not applicable in mines and zone 0).

The product complies with the directive 97/23/CE (PED).

Available units composed of:
Filter + Regulator + Lubrifier

SPECIFICATIONS

Weight: ~3,6 Kg (~ 7,9 lb)

Operating temperature: -20°C ÷ +80°C (-4 ÷ + 176° F) for standard version

Main valve leakage classification: VI (bubble tight)

Flow coefficient: Kv= 3 Nm³/h

Degree of protection: IP25

G ¼ ports for outlet pressure gauge

MATERIALS

Body and bonnet: stainless steel AISI 316L

Internal parts: stainless steel AISI 316L

Main valve spring: stainless steel AISI 302

Adjusting spring: C85 nickel plated NiP/Fe 15 µm, not in contact with the fluid

Piston: stainless steel AISI 316L

O-Rings: FPM (other compounds available on request)

Main valve gasket: FPM (other compounds available on request)

ACCESSORIES

Gauges: accuracy class 1,6

Lock-nut: P35017030304

Bracket and lock-nut Kit: M1H301

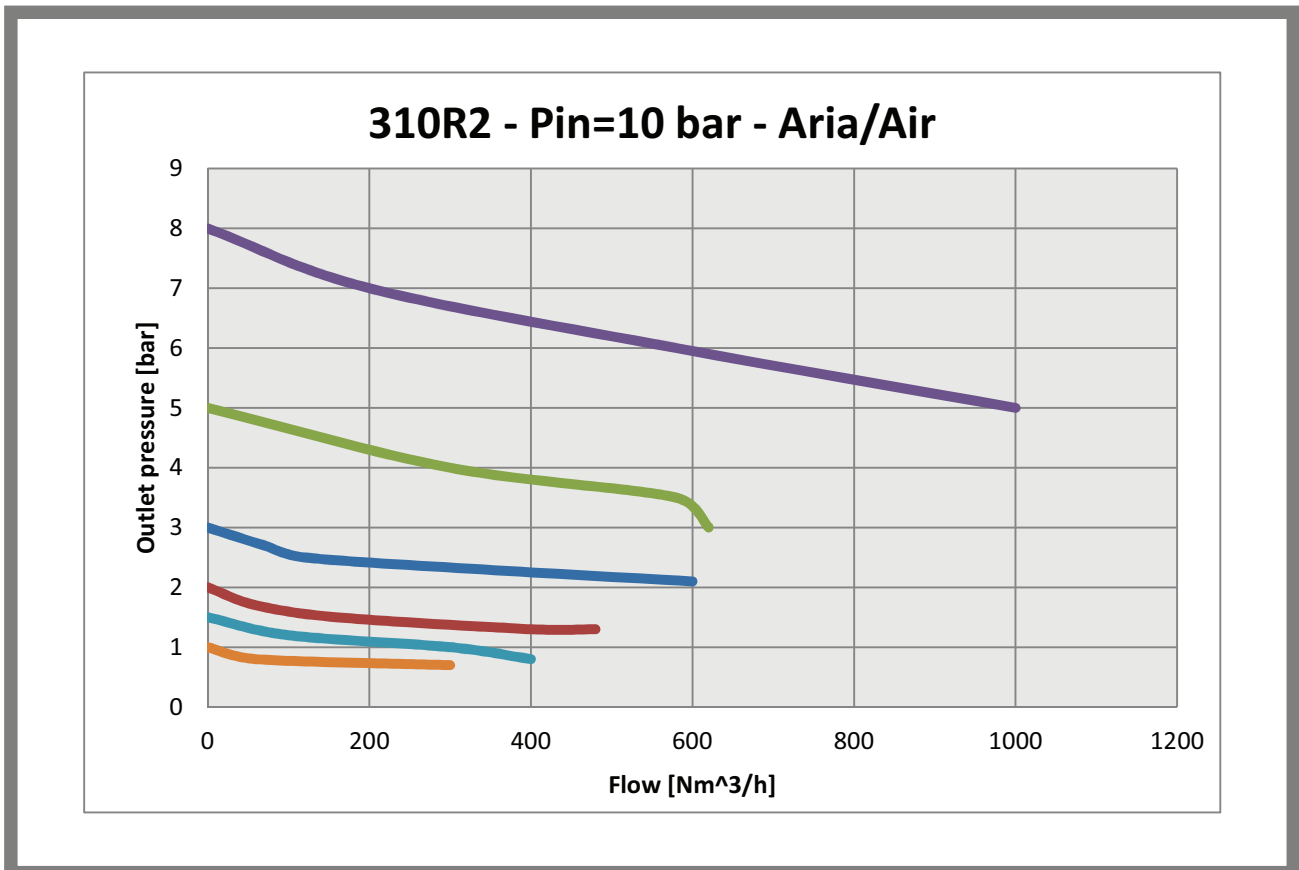
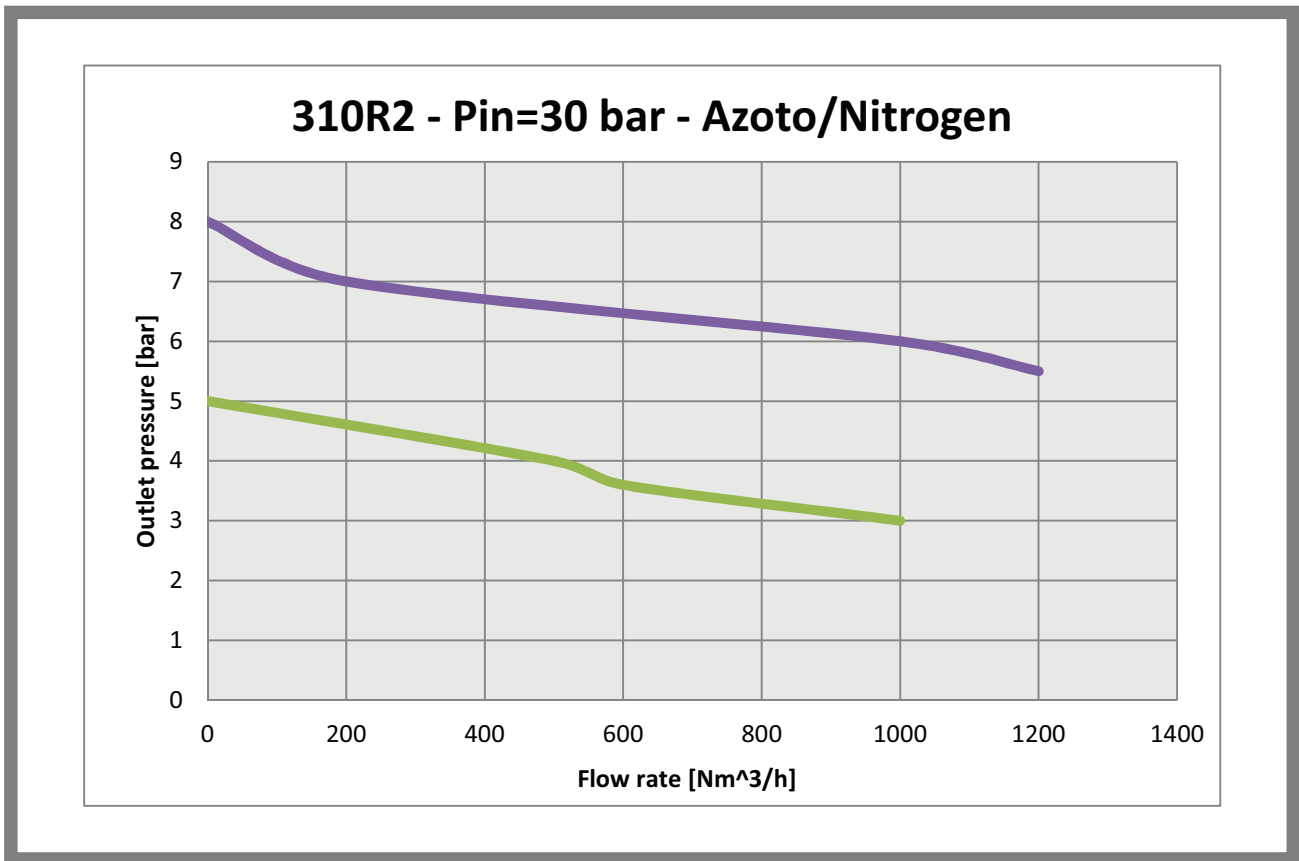
Overpressure relieving function (not for gas and liquids)

SPARE PARTS

Gauges

Complete Kit: net filter, complete main valve, o-rings.

flow charts



available model types

Regolatori di pressione per media pressione

Pressure regulators for medium pressure

Regolatori di pressione per media pressione in acciaio inox,
ideali per aria compressa e gas tecnici non corrosivi e liquidi

Pressure regulators for medium pressure, made of stainless steel,
for compressed air and technical, non corrosive gases and liquid

Corpo e campana da lavorazione di barra-NO manometro / Body by machining bar-Without gauge

| TYPE | PS bar | P.Out bar | CONNECTION IN | CONNECTION OUT | CODE | MEDIUM |
|-----------------|--------|-----------|------------------------|------------------------|--------|-----------------|
| | | | | | | 310R2 |
| 310R2 | 15 | 0,2-1,5 | G 1-F G 3/4-F | G 1-F G 3/4-F | 310R2# | NH3 |
| | 30 | 0,2-1,5 | 1" NPT-F 3/4" NPT-F | 1" NPT-F 3/4" NPT-F | 310R2# | O2 |
| | | | | | | Liquid |
| | | | | | | * |
| Air - Relieving | | | | | | |
| 310R2 | 15 | 0,3-3 | G 1-F G 3/4-F | G 1-F G 3/4-F | 310R2# | NH3 |
| | 30 | 0,3-3 | 1" NPT-F 3/4" NPT-F | 1" NPT-F 3/4" NPT-F | 310R2# | O2 |
| | | | | | | Liquid |
| | | | | | | * |
| Air - Relieving | | | | | | |
| 310R2 | 30 | 0,8-8 | G 1-F G 3/4-F | G 1-F G 3/4-F | 310R2# | O2 |
| | | | 1" NPT-F 3/4" NPT-F | 1" NPT-F 3/4" NPT-F | 310R2# | Liquid |
| | | | | | | * |
| | | | | | | Air - Relieving |
| 310R2 | 50 | 1,5-15 | G 1-F G 3/4-F | G 1-F G 3/4-F | 310R2# | O2 |
| | | | 1" NPT-F 3/4" NPT-F | 1" NPT-F 3/4" NPT-F | 310R2# | Liquid |
| | | | | | | * |
| | | | | | | Air - Relieving |
| 310R2 | 50 | 3-30 | G 1-F G 3/4-F | G 1-F G 3/4-F | 310R2# | O2 |
| | | | 1" NPT-F 3/4" NPT-F | 1" NPT-F 3/4" NPT-F | 310R2# | Liquid |
| | | | | | | * |
| | | | | | | Air - Relieving |
| 310R2 | 50 | 5-50 | G 1-F G 3/4-F | G 1-F G 3/4-F | 310R2# | O2 |
| | | | 1" NPT-F 3/4" NPT-F | 1" NPT-F 3/4" NPT-F | 310R2# | Liquid |
| | | | | | | * |
| | | | | | | Air - Relieving |

* Aria - N2 - He - Ar - H2 - C3H8 - CH4 - CO2 - N2O

ATTACCHI DIVERSI DA STANDARD / CONNECTION DIFFERENT FROM STANDARD

Attacchi flangiati / Connections with flanges

ESECUZIONI DIVERSE DA STANDARD / EXECUTIONS DIFFERENT FROM STANDARD

Pressione ingresso max 60 bar / Inlet pressure max 60 bar

Pressione uscita pretarata / Pre-set outlet pressure

Pressione uscita tarata fissa, vite con dado cieco / Fixed outlet pressure, screw with cup nut

O-ring diversi da standard - EPDM / O-ring different from standard - EPDM

O-ring secondo FDA / O-ring in accordante to FDA

Convogliamento su campana / Venting on bonnet

Stampigliatura su specifica del cliente / Not standard branding

Versione Relieving / Relieving version

Versione ATEX / ATEX version

Temperature diverse da standard / Special temperature range

Sgrassato uso O2 / Degreased for O2

Manometro per pressione di uscita / Gauge for outlet pressure

ACCESSORI / ACCESSORIES

Ghiera P35017030304 / Ring nut P35017030304

Kit staffa + ghiera M1H301 / Kit bracket and Ring nut M1H301

generating the product code

| Regolat.2° stadio taglia 10 AISI316 | | | |
|-------------------------------------|-------------------------------------|----|--------------------|
| AA BB CC DD E F GG | | | |
| AA | Attacchi / Connections | Q0 | G 3/4-F |
| | | R0 | G 1-F |
| | | X0 | 3/4" NPT-F |
| | | Y0 | 1" NPT-F |
| BB | Pressione ingresso / Inlet pressure | D0 | PS 30 bar |
| | | E0 | PS 50 bar |
| CC | Intervallo uscita / Outlet range | A0 | Pout 0,2 - 1,5 bar |
| | | B0 | Pout 0,3 - 3 bar |
| | | D0 | Pout 0,8 - 8 bar |
| | | E0 | Pout 1,5 - 15 bar |
| | | F0 | Pout 3 - 30 bar |
| | | G0 | Pout 5 - 50 bar |
| DD | Tipologia di fluido / Fluid type | 15 | O2 |
| | | 18 | EPDM x liquidi |
| | | 19 | FPM x liquidi |
| | | 98 | EPDM |
| | | 99 | FPM |
| E | Relieving / Relieving | 0 | No Relieving |
| | | 1 | Relieving |
| F | Marchiato / Marked | I | ID |
| GG | Accessori / Accessories | 00 | Nessun accessorio |
| | | 06 | Manometro |

CODE COMPOSITION EXAMPLE

310R2#R0 D0 D0 99 0 I 00

310R2#: Regulator 2°Stage "serie 10" AISI 316L

R0: Connection G 1-F

D0: Maximum inlet pressure 30 bar

D0: Outlet pressure range 0,8-8 bar

99: O-rings in FPM

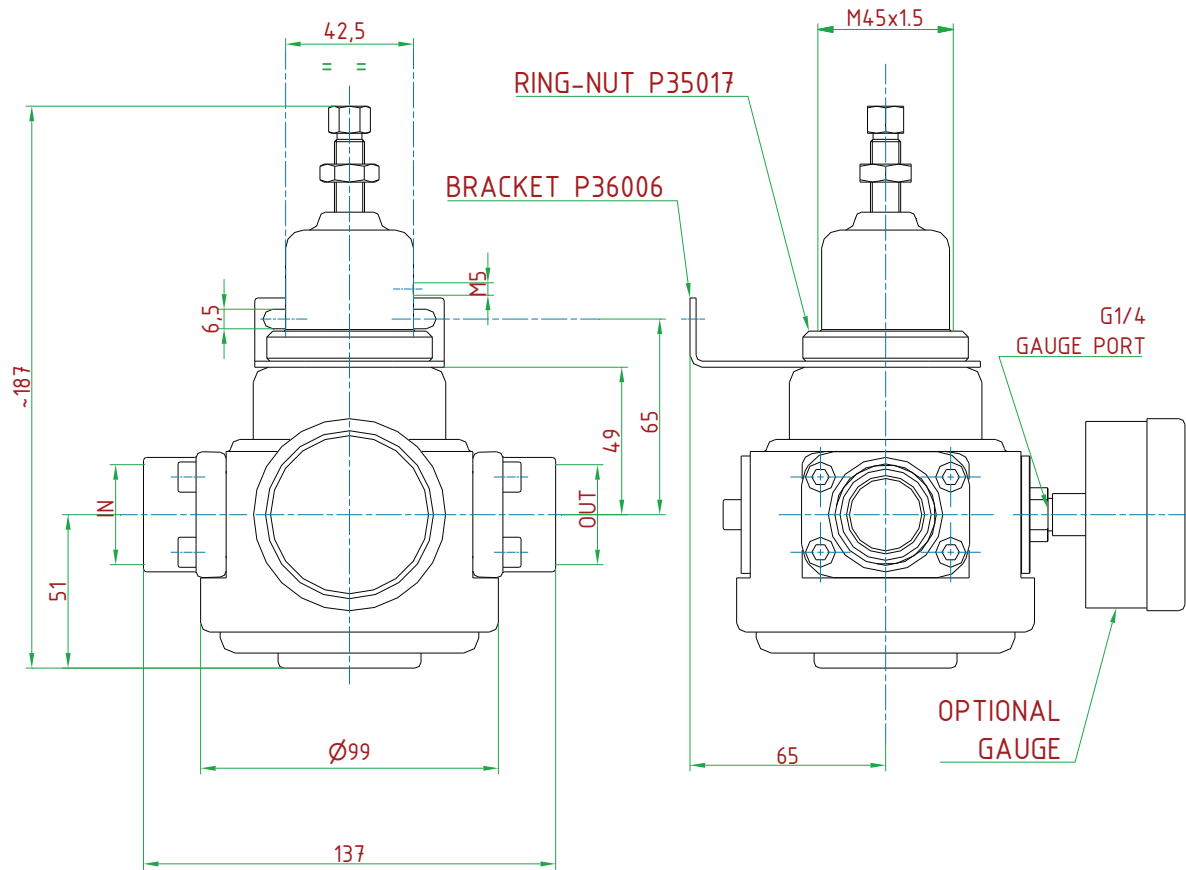
0: Not relieving

I

00: No accessories

technical drawings (all dimensions in mm)

Bracket and ring nut to be ordered separately.



| TYPE | IN/OUT | FLANGE |
|---------------|-----------|--------|
| 310R2 G1F | G1-F | P37083 |
| 310R2 G3/4 | G3/4-F | P37085 |
| 310R2 1"NPT | 1"NPT-F | P37084 |
| 310R2 3/4"NPT | 3/4"NPT-F | P37086 |

Pout: 0,2÷1,5/0,3÷3/0,8÷8/1,5÷15/3÷30/5÷50