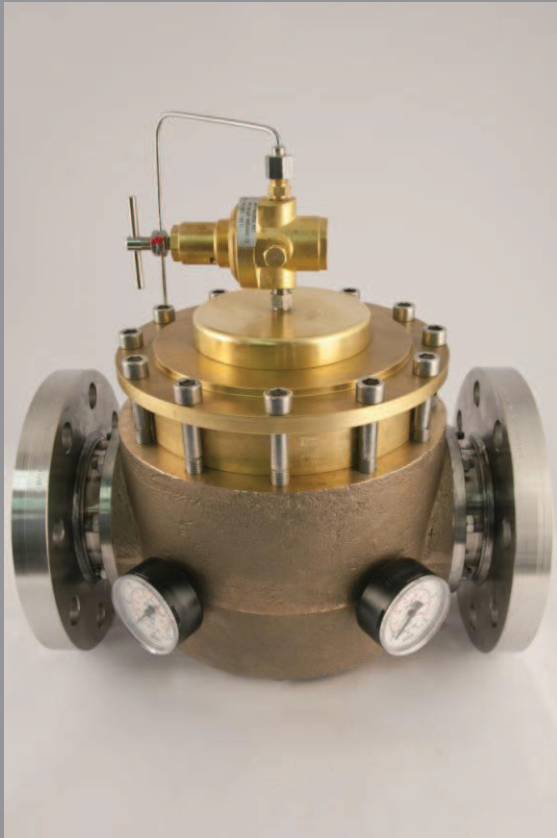


# R126/DN100-R126/DN80

Bronze and brass pressure regulator,  
for compressed air, gas and liquid



## FEATURES

Pressure regulator for inlet pressure up to 30 bar (435 psi).

Flanged connections screwed to the body EN1092-01/01A/DN80/PN40 and EN1092-01/01A/DN100/PN40.

Different available flanges "EN" or "ASME".

Outlet pressure is controlled by a rubber diaphragm.

Balanced main valve.

The product complies with the 97/23/CE PED directive.

Gauges for inlet and outlet pressure (accuracy class 1.6)

Adjusting spring for outlet pressure 0.2÷1.5 bar and 0.6÷6 bar.

Built in pilot regulator for outlet pressure 1.5÷15 bar.

## **SPECIFICATIONS**

Weight EN1092-01/01A/DN80/PN40: ~94 kg (~207 lb)

Weight EN1092-01/01A/DN100/PN40: ~99 Kg (~218 lb)

Operating temperature: -20°C ÷ +60°C (-4 °F ÷ +140 °F) for standard version

Main valve leakage classification: VI (bubble tight)

Degree of protection: IP25

G¼ gauge ports, flow from left to right

## **MATERIALS**

Body: bronze

Bonnet: aluminium

Flanges: AISI 316L

Pilot regulator: brass (only for outlet pressure 1.5÷15 bar)

Internal parts: brass

Main valve spring: C85

Adjusting spring: C85 (not in contact with the fluid)

Diaphragm: two coupled diaphragm in Neoprene and PTFE (PTFE in contact with the fluid)

O-Rings: NBR (different compounds available on request)

Main valve gasket: NBR (different compounds available on request)

## **ACCESSORIES**

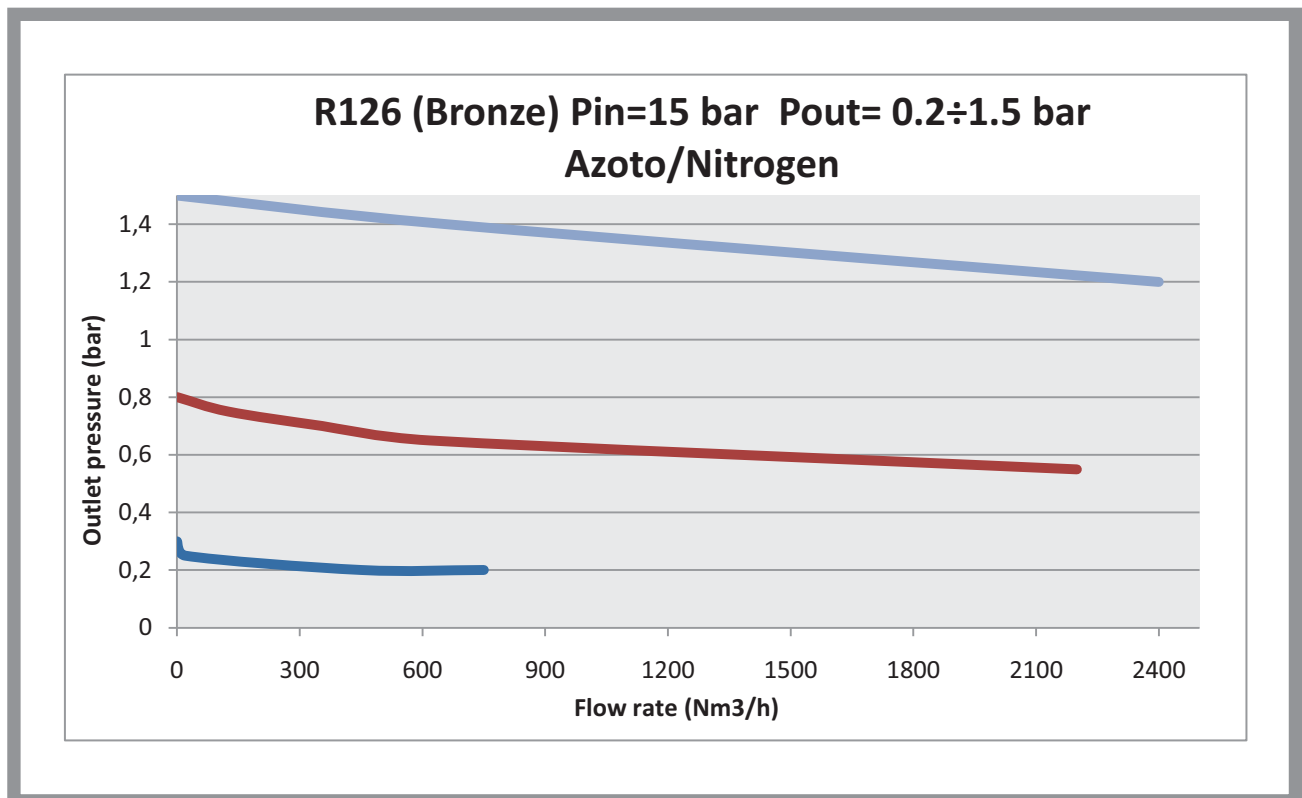
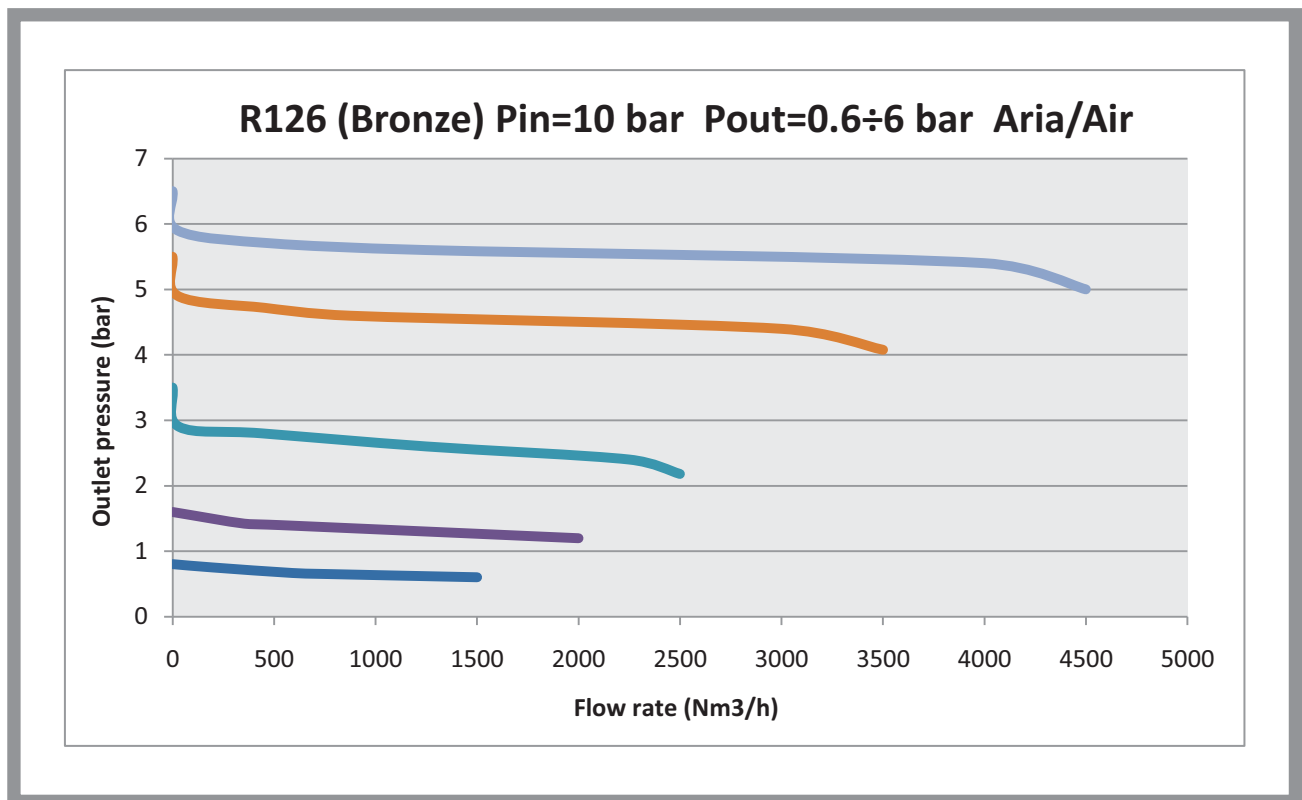
Overpressure relieving function (only for compressed air)

## **SPARE PARTS**

Gauges

Complete kit: assembled diaphragm, main valve, o-rings

## flow charts



## available model types

### Regolatori di pressione per media pressione

### Pressure regulators for medium pressure

Regolatori di pressione per media pressione in ottone,  
idonei per aria compressa e gas tecnici non corrosivi e liquidi

Pressure regulators for medium pressure, made of brass,  
for compressed air and technical, non corrosive gases and liquid

Corpo da fusione in bronzo e campana da fusione in alluminio / Cast brass body and cast aluminium bonnet

TYPE	PS bar	P.Out bar	CONNECTION IN	CONNECTION OUT	CODE	MEDIUM
						<b>R126/DN100</b>
R126 A1	30	0,2-1,5	DN100	DN100	D56#K	O2
						Liquid
						*
R126 C1	30	0,6-6	DN100	DN100	D56#K	O2
						Liquid
						*
RP126 D1 **	30	1,5-15	DN100	DN100	D56#K	O2
						Liquid
						*
						<b>R126/DN80</b>
R126/DN80 A1	30	0,2-1,5	DN80	DN80	D56#I	O2
						Liquid
						*
R126/DN80 C1	30	0,6-6	DN80	DN80	D56#I	O2
						Liquid
						*
RP126/DN80 D1 **	30	1,5-15	DN80	DN80	D56#I	O2
						Liquid
						*

\* Aria - N2 - He - Ar - H2 - C3H8 - CH4 - CO2 - N2O

\*\* Versione pilotata / Dome loaded execution

#### ATTACCHI DIVERSI DA STANDARD / CONNECTION DIFFERENT FROM STANDARD

Attacchi flangiati diversa da standard / Connections with flanges different from standard

#### ESECUZIONI DIVERSE DA STANDARD / EXECUTIONS DIFFERENT FROM STANDARD

O-ring diversi da standard - FPM / O-ring different of standard - FPM

O-ring diversi da standard - EPDM / O-ring different from standard - EPDM

Convogliamento su campana / Venting on bonnet

Cromatura-nichelatura / Chrome-Nichel plating

Stampigliatura su specifica del cliente / Not standard branding

Sgrassato uso O2 / Degreased for O2

## generating the product code

Reg.-R126 Bronzo			
AA BB CC DD E FF			
AA	Attacchi / Connections	I0	R126 EN1092-01/01A/DN80/PN40
		K0	R126 EN1092-01/01A/DN100/PN40
BB	Pressione ingresso / Inlet pressure	D0	PS 30 bar
CC	Intervallo uscita / Outlet range	A0	A1 - Pout 0,2 - 1,5 bar
		E0	D1 Pout 1,5 - 15 bar
		H0	C1 - Pout 0,6 - 6 bar
DD	Tipologia di fluido / Fluid type	15	O2 CAT II
		94	FPM CAT II
		95	NBR CAT II
		96	EPDM CAT II
E	Marchiato / Marked	I	ID
FF	Accessori / Accessories	00	Nessun accessorio

### CODE COMPOSITION EXAMPLE

**D56#K0 D0 H0 15 I 00**

**D56#:** high flow bronze regulator R126

**K0:** flanges IN/OUT EN1092-01/01A/DN100/PN40

**D0:** maximum inlet pressure 30 bar

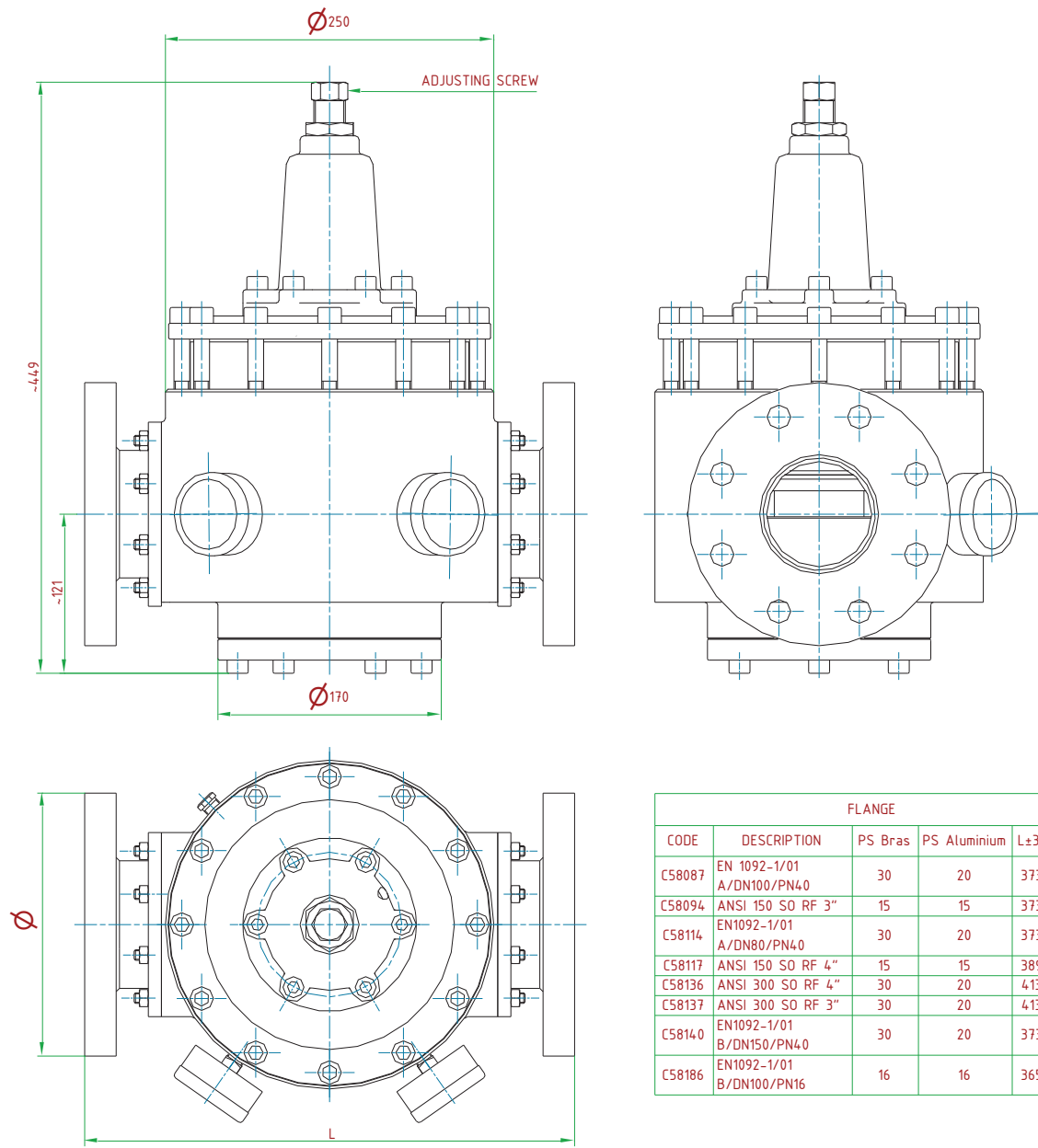
**H0:** outlet pressure range 0.6-6 bar

**15:** oxygen use

**I**

**00:** no accessories

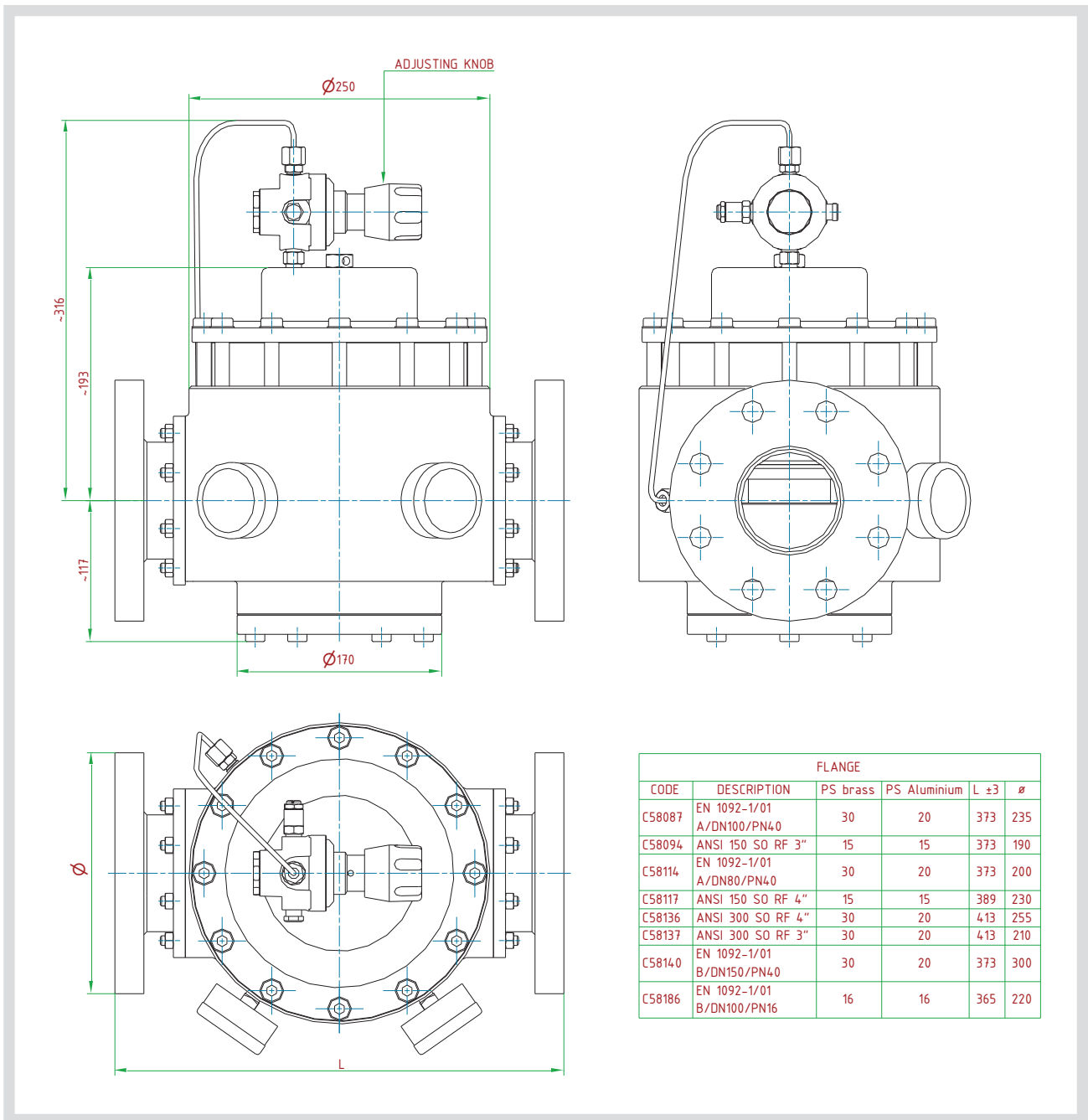
# technical drawings (all dimensions in mm)



FLANGE					
CODE	DESCRIPTION	PS Bras	PS Aluminium	L±3	Ø
C58087	EN 1092-1/01 A/DN100/PN4.0	30	20	373	235
C58094	ANSI 150 SO RF 3"	15	15	373	190
C58114	EN1092-1/01 A/DN80/PN4.0	30	20	373	200
C58117	ANSI 150 SO RF 4"	15	15	389	230
C58136	ANSI 300 SO RF 4"	30	20	413	255
C58137	ANSI 300 SO RF 3"	30	20	413	210
C58140	EN1092-1/01 B/DN150/PN4.0	30	20	373	300
C58186	EN1092-1/01 B/DN100/PN16	16	16	365	220

## R126 A1 – R126 C1

# technical drawings (all dimensions in mm)



R126 D1