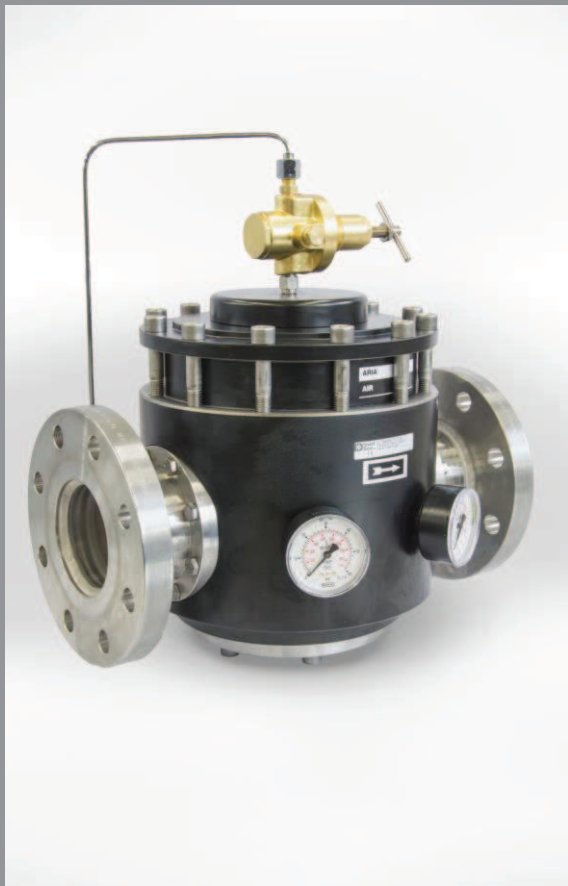


R126/DN100-R126/DN80 LL

Aluminium pressure regulator,
for non corrosive gas



FEATURES

Pressure regulator for inlet pressure up to 20 bar (290 psi).

Flanged connections screwed to the body EN1092-01/01A/DN80/PN40 e EN1092-01/01A/DN100/PN40.

Different available flanges "EN" or "ASME".

Outlet pressure is controlled by a rubber diaphragm.

Balanced main valve.

The product complies with the 97/23/CE PED directive.

Gauges for inlet and outlet pressure (accuracy class 1.6)

Available the EAC TP TC 032/2013 (only for dome loaded execution) or EAC-EX TP TC 012/2011 versions for the Russian market.

Adjusting spring for outlet pressure 0.2÷1.5 bar and 0.6÷6 bar.

Built in pilot regulator for outlet pressure 1.5÷15 bar.

SPECIFICATIONS

Weight EN1092-01/01A/DN80/PN40: ~52 kg (~115 lb)

Weight EN1092-01/01A/DN100/PN40: ~57 kg (~126 lb)

Operating temperature: -20°C ÷ +60°C (-4 °F ÷ +140 °F) for standard version

Main valve leakage: VI (bubble tight)

Degree of protection: IP25

G¼ gauge ports, flow from left to right

MATERIALS

Body: aluminium

Bonnet: aluminium

Flanges: AISI 316L

Pilot regulator: brass (only for outlet pressure 1.5÷15 bar)

Internal parts: brass

Main valve spring: C85

Adjusting spring: C85 (not in contact with the fluid)

Diaphragm: two coupled diaphragms in Neoprene and PTFE (PTFE in contact with the fluid)

O-Ring: NBR (different compounds available on request)

Main valve gasket: NBR (different compounds available on request)

ACCESSORIES

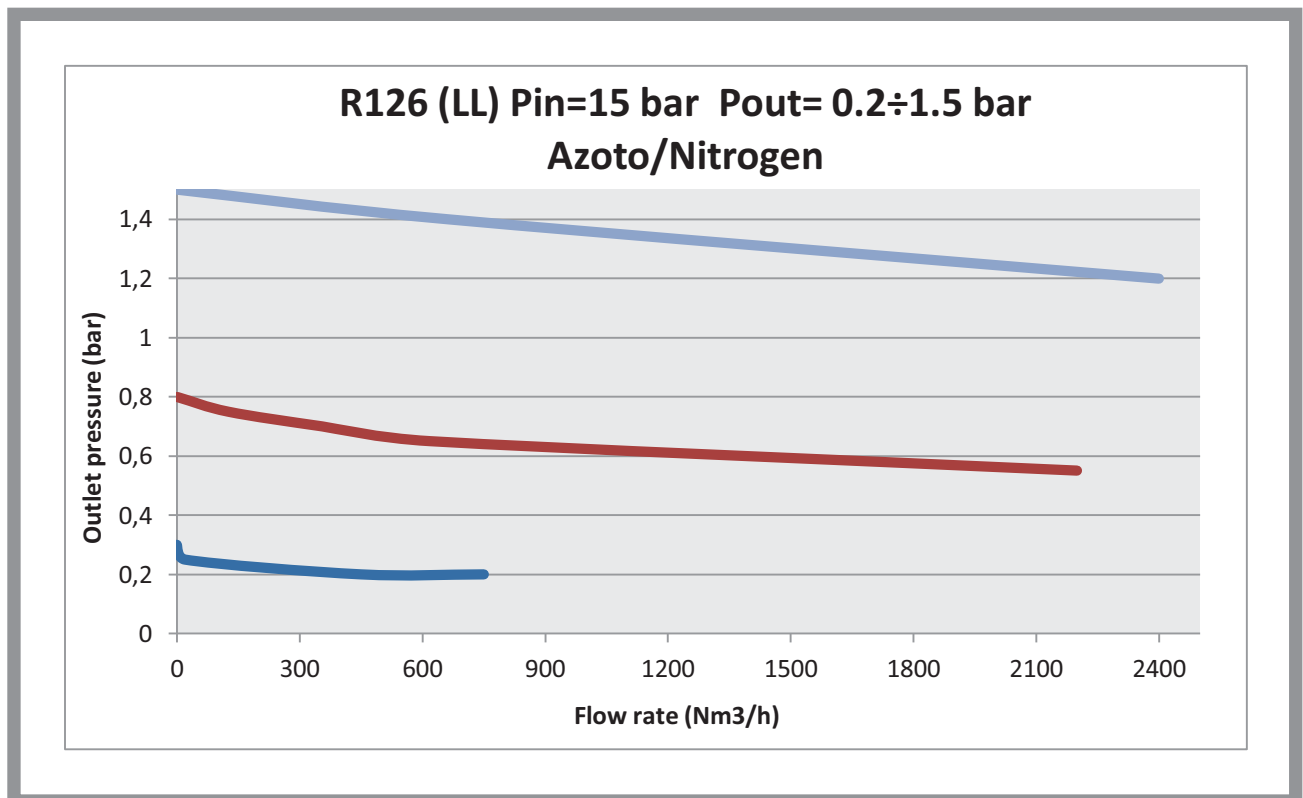
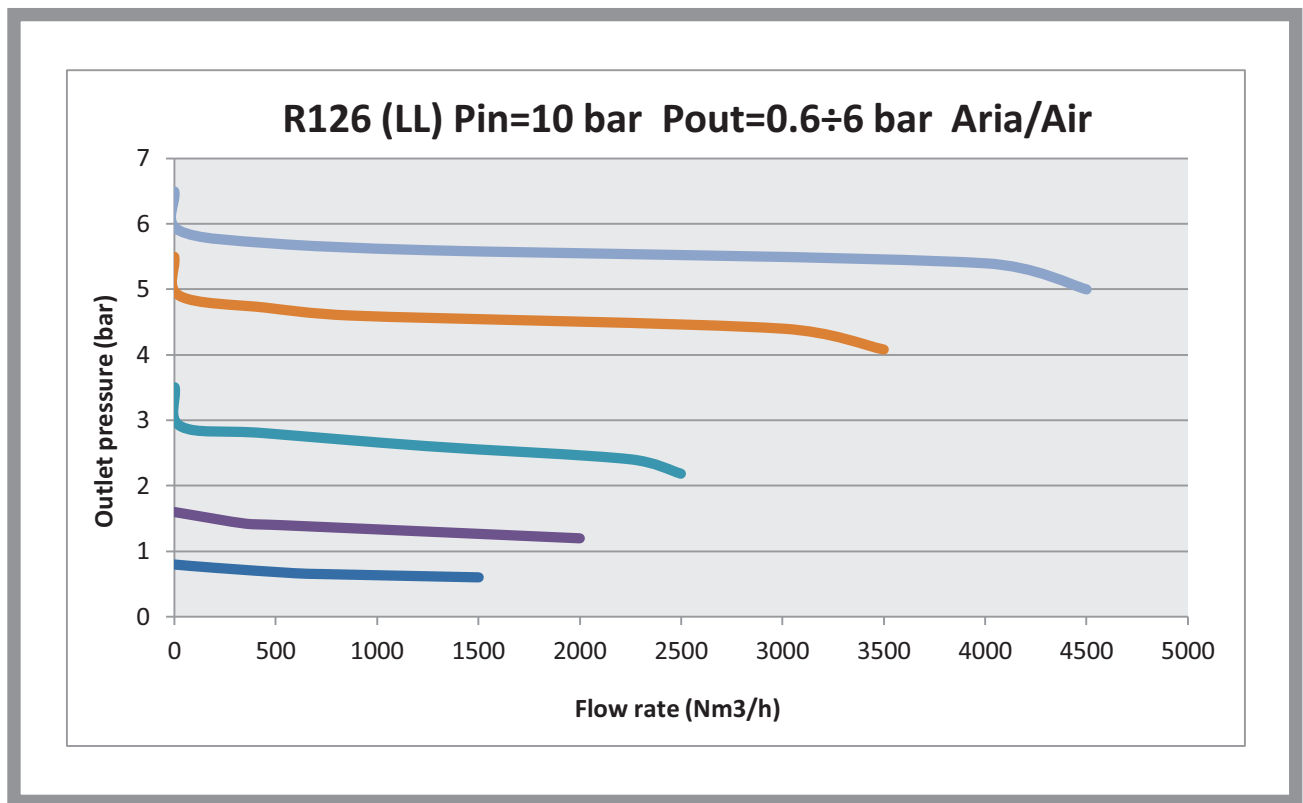
Overpressure relieving function (only for compressed air)

SPARE PARTS

Gauges

Complete kit: assembled diaphragm, main valve, o-rings

flow charts



available model types

Regolatori di pressione per media pressione in lega leggera per gas non corrosivi

Pressure regulators for medium pressure made of aluminium for non-corrosive gases

Corpo e campana da fusione, struttura standard

Cast body, Standard

TYPE	PS bar	P.Out bar	CONNECTION IN	CONNECTION OUT	CODE	MEDIUM
						R126/DN100
R126 A2	20	0,2-1,5	DN100	DN100	2126#K	*
R126 C2	20	0,6-6	DN100	DN100	2126#K	*
RP126 D2 **	20	1,5-15	DN100	DN100	2126#K	*
						R126/DN80
R126/DN80 A2	20	0,2-1,5	DN80	DN80	2126#I0	*
R126/DN80 C2	20	0,6-6	DN80	DN80	2126#I0	*
RP126/DN80 D2 **	20	1,5-15	DN80	DN80	2126#I0	*

* Aria - N2 - He - Ar - H2 - C3H8 - CH4 - CO2 - N2O

** Versione pilotata / Dome loaded execution

ATTACCHI DIVERSI DA STANDARD / CONNECTION DIFFERENT FROM STANDARD

Attacchi flangiati diversi da standard / Connections with flanges different from standard

ESECUZIONI DIVERSE DA STANDARD / FEATURES DIFFERENT FROM STANDARD

O-ring diversi da standard - FPM / O-rings different from standard - FPM

O-ring diversi da standard - EPDM / O-rings different from standard - EPDM

Versione EAC TP TC 032/2013 / EAC TP TC 032/2013 version (Solo per versione RP126 D2/ Only for RP126 D2 version)

Versione EAC-EX TP TC 012/2011 / EAC-EX TP TC 012/2011

Convogliamento su campana / Connection for bonnet piping

Stampigliatura su specifica del cliente / Not standard branding

generating the product code

R126 LL			
AA BB CC DD E FF			
AA	Attacchi / Connections	IO	IN/OUT EN1092-01/01A/DN80/PN 40
		KO	IN/OUT EN1092-01/01A/DN100/PN 40
BB	Pressione ingresso / Inlet pressure	C0	20 bar
CC	Intervallo uscita / Outlet range	A0	A - Pout 0,2 - 1,5 bar
		E0	D Pout 1,5 - 15 bar
		H0	C - Pout 0,6 - 6 bar
DD	Tipologia di fluido / Fluid type	97	NBR CAT I
E	Marchiato / Marked	I	ID
FF	Accessori / Accessories	00	Nessun accessorio

CODE COMPOSITION EXAMPLE

2126#K0 C0 H0 97 I 00

2126#: R126 LL pressure regulator

K0: IN/OUT EN1092-01/01A/DN100/PN40 flanges

C0: maximum inlet pressure 20 bar

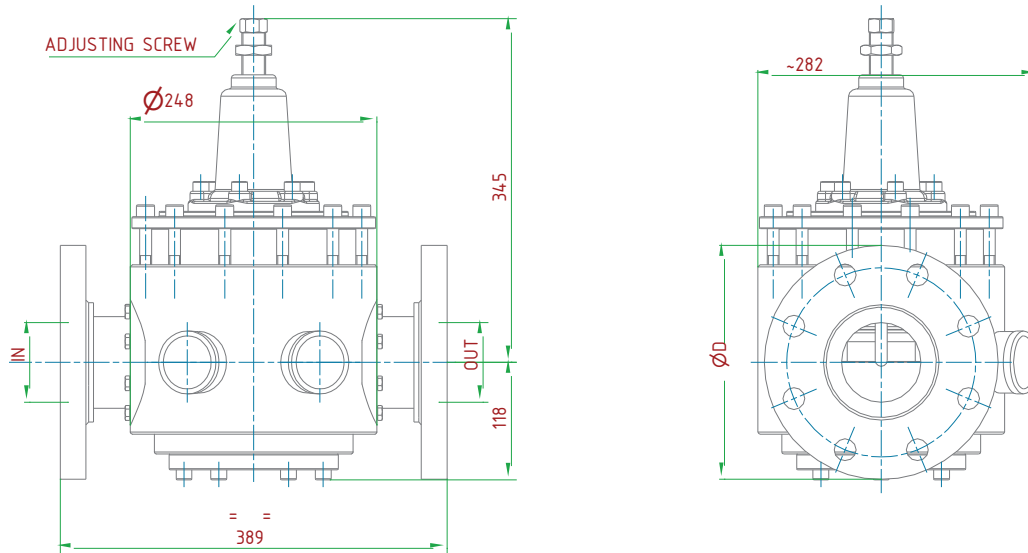
H0: outlet pressure range 0.6-6 bar

97: NBR gaskets

I

00: no accessories

technical drawings (all dimensions in mm)



MODEL	D
R126 EN1092-1/01A/DN100/PN40	235 mm
R126 EN1092-1/01A/DN80/PN40	200 mm

