

# R128

Brass pressure regulator, for compressed air, gas and liquids




## FEATURES

Pressure regulator for inlet pressure up to 30 bar (435 psi) in the standard version.

Connections 2"-F by flanges screwed to the body. Other connections available on request.

Outlet pressure is controlled by a rubber diaphragm. The main valve is balanced.

Available the ATEX version  
Brand  II2GDcIICX.

For use in potentially explosive atmospheres zones: 1, 21, 2, 22 (not for mines and zone 0).

The product complies with the directive 97/23/CE PED.

## **SPECIFICATIONS**

Weight version A1 e C1: ~19 Kg (~42 lb)

Weight version D1: ~24 Kg (~53 lb)

Operating temperature: -20°C ÷ +60°C (-4°F ÷ 140° F) for standard version

Main valve leakage classification: VI (bubble tight)

Flow coefficient: Kv= 26 Nm<sup>3</sup>/h (CV = 30,4 US gal/min)

Degree of protection: IP25

Gauge for inlet pressure, accuracy class 1.6

## **MATERIALS**

Body: brass

Bonnet version A1 and C1: aluminium

Bonnet version D1: brass

Internal parts: brass/AISI 316L

Main valve spring: stainless steel AISI 302

Adjusting spring: C85, not in contact with the fluid

Diaphragm: coupled diaphragms in NBR and PTFE (PTFE in contact with the fluid)

O-Rings: NBR or FPM or EPDM depending on the fluid (other compounds available on request)

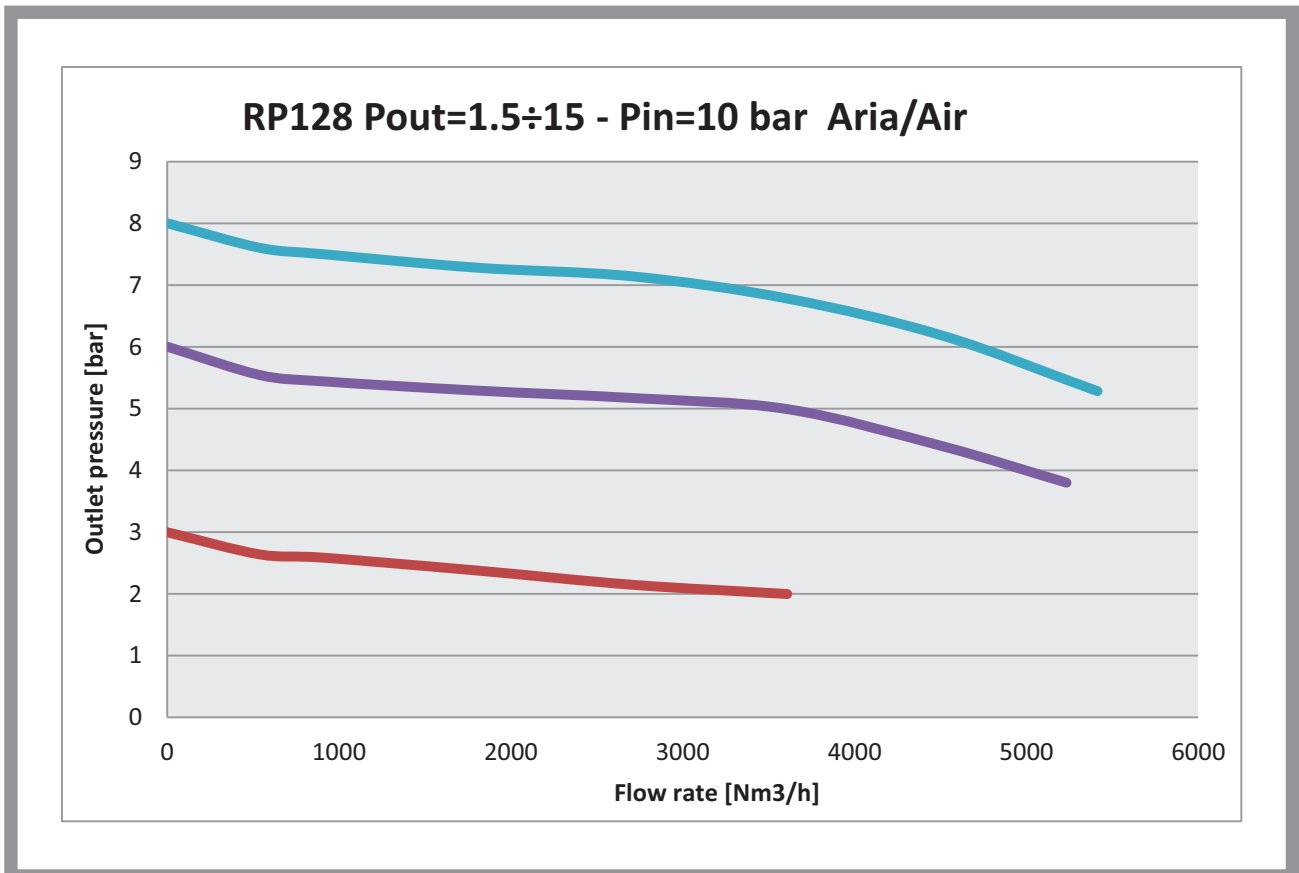
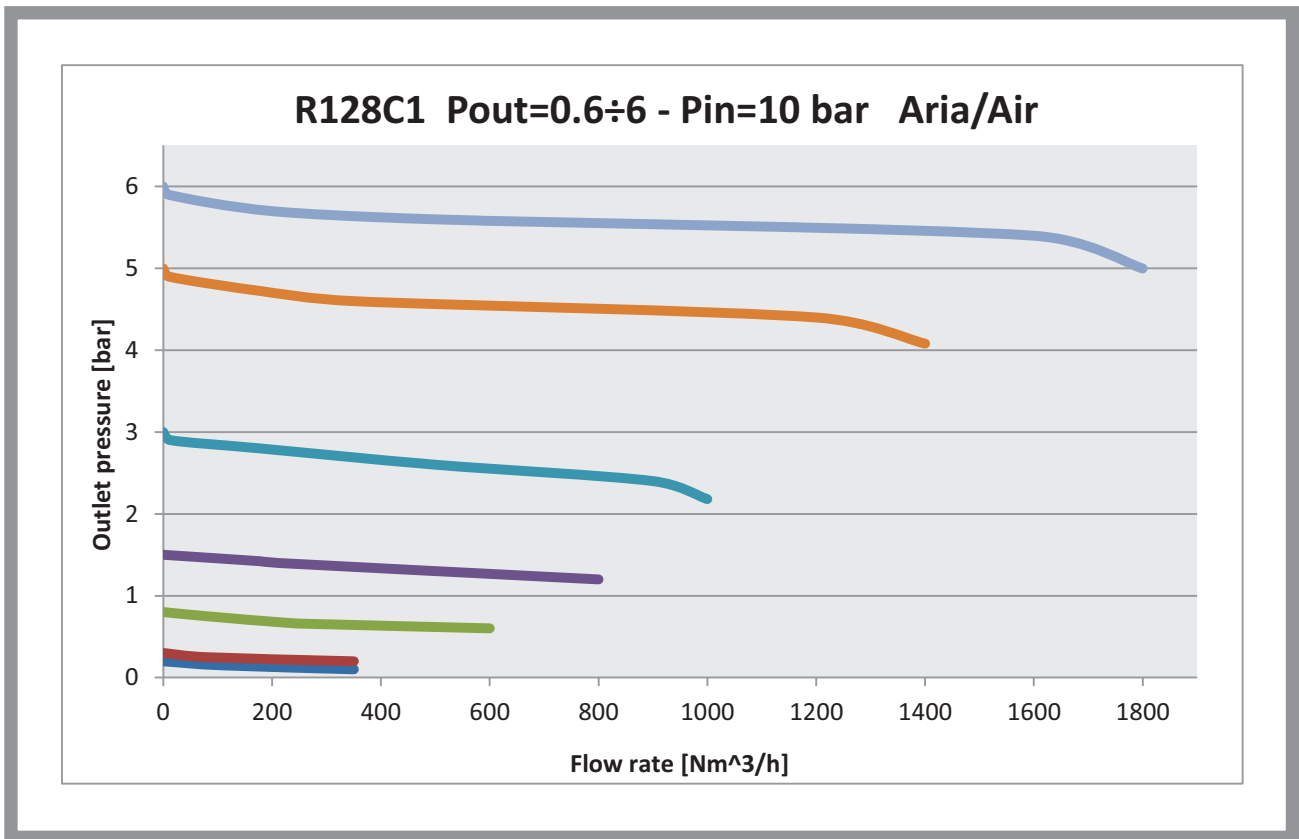
Main valve gasket: NBR, FPM or EPDM depending on the fluid (other compounds available on request)

## **SPARE PARTS**

Gauges

Complete kit: assembled diaphragm, net filter, main valve, O-rings

# flow chart



## available model types

### Regolatori di pressione per media pressione

#### Pressure regulators for medium pressure

Regolatori di pressione per media pressione in ottone,  
ideali per aria compressa e gas tecnici non corrosivi e liquidi

Pressure regulators for medium pressure, made of brass,  
for compressed air and technical, non corrosive gases and liquid

Corpo stampato in ottone e campana da fusione in alluminio / Forged brass body and cast aluminium bonnet

TYPE	PS bar	P.Out bar	CONNECTION IN	CONNECTION OUT	CODE	MEDIUM
						<b>R128</b>
R128 A1	30	0,2-1,5	G 2-F	G 2-F	D51	O2 Liquid *
R128 C1	30	0,6-6	G 2-F	G 2-F	D51	O2 Liquid *
RP128 D1 **	30	1,5-15	G 2-F	G 2-F	D51	O2 Liquid *

\* Aria - N2 - He - Ar - H2 - C3H8 - CH4 - CO2 - N2O

\*\* Versione pilotata / Dome loaded execution

#### ATTACCHI DIVERSI DA STANDARD / CONNECTION DIFFERENT FROM STANDARD

Attacchi entrata/uscita NPT / Inlet/outlet connections NPT

Attacchi flangiati / Connections with flanges

#### ESECUZIONI DIVERSE DA STANDARD / EXECUTIONS DIFFERENT FROM STANDARD

O-ring diversi da standard - FPM / O-ring different of standard - FPM

O-ring diversi da standard - EPDM / O-ring different from standard - EPDM

Convogliamento su campana / Venting on bonnet

Cromatura-nichelatura / Chrome-Nichel plating

Stampigliatura su specifica del cliente / Not standard branding

Versione ATEX / ATEX version

Temperature diverse da standard / Special temperature range

Sgrassato uso O2 / Degreased for O2

## generating the product code

R128 OTTONE STAMPATO			
AA BB CC DD E FF			
AA	Attacchi / Connections	G0	2" NPT
		T0	G 2
BB	Intervallo uscita / Outlet range	A0	A1 - Pout 0,2 - 1,5 bar
		E0	D1 Pout 1,5 - 15 bar
		H0	C1 - Pout 0,6 - 6 bar
CC	Pressione ingresso / Inlet pressure	D0	PS 30 bar
DD	Tipologia di fluido / Fluid type	15	O2 CAT II
		19	FPM x liquidi
		94	FPM CAT II
		95	NBR CAT II
		97	NBR CAT I
		98	EPDM CAT I
		99	FPM CAT I
E	Marchiato / Marked	I	ID
		Z	Dir ATEX 94/9 CE
FF	Accessori / Accessories	00	Nessun accessorio

## CODE COMPOSITION EXAMPLE

**D51#T0 H0 D0 19 I 00**

**D51#:** Regulator R128 in brass

**T0:** Connection G 2-F

**H0:** Outlet pressure range 0,6-6 bar

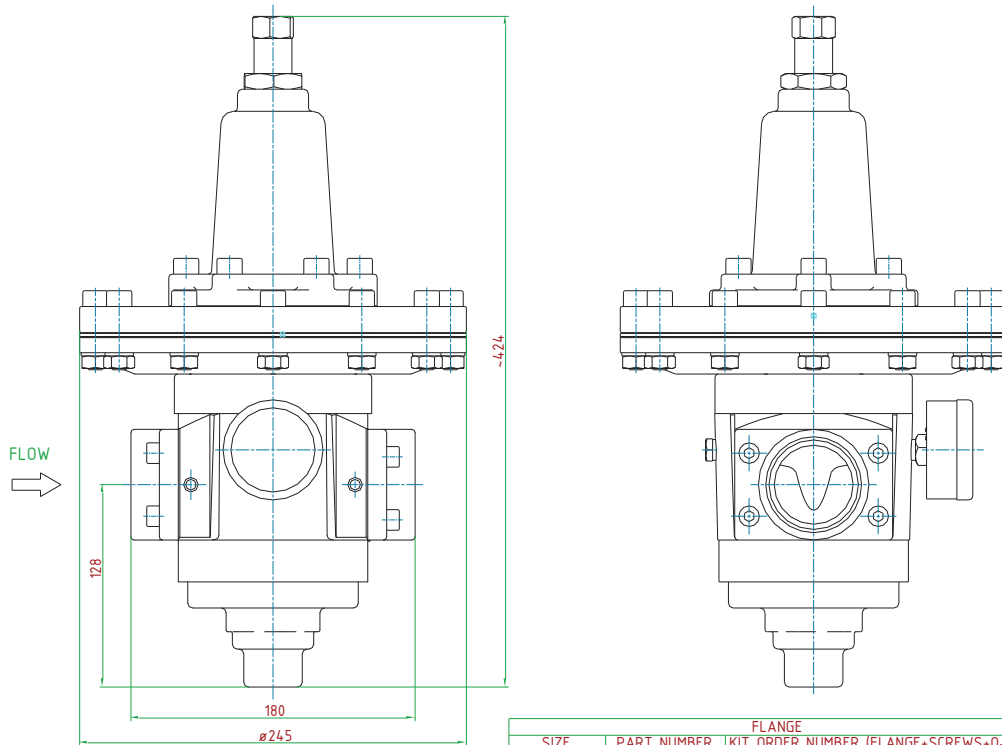
**D0:** Maximum inlet pressure 30 bar

**19:** FPM o-rings for liquids

**I**

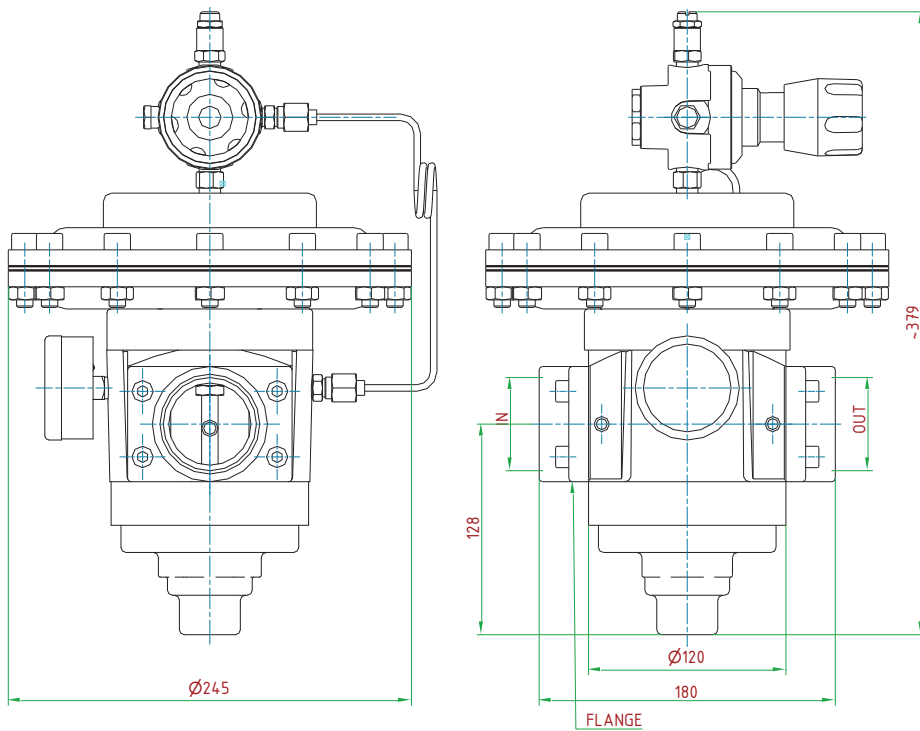
**00:** No accessories

# technical drawings (dimensions in mm)



VERSIONE A1-C1

SIZE	PART NUMBER	FLANGE KIT ORDER NUMBER (FLANGE+SCREWS+O-RING)
G 1 1/2-F	P37044011004	M21101 (NBR) - M21105 (FPM)
G 2-F	P37045011004	M21104 (EPDM) - M21106 (FPM)
1 1/2" NPT-F	P37046011004	-
2" NPT-F	P37047011004	-



TYPE	IN/OUT	FLANGE	KIT EP	KIT FP
R128 G 2-F	G 2-F	P37045	M21104	M21106
R128 2"NPT-F	2"NPT-F	P37047	-	-

VERSIONE D1