

# R130 – R130/2" brass

Brass pressure regulator,  
for compressed air, gas and liquid



## FEATURES

Pressure regulator for inlet pressure up to 50 bar (725 psi) in the standard version.

Connections by flanges screwed to the body.

R130 1" 1/2-F

R130/2" 2"-F

Connections with EN or Asme flanges available on request.

Outlet pressure is controlled by a brass piston.

Available the ATEX version.

Brand  II 2GDcllCX.

For use in potentially explosive atmospheres zones: 1, 21, 2, 22 (not applicable in mines and zone 0).

Available the EAC TP TC 032/2013 or EAC-EX TP TC 012/2011 versions for the Russian market.

The product complies with the directive 97/23/CE PED.

Gauge for outlet pressure, accuracy class 1.6.

## **SPECIFICATIONS**

Weight: ~14 Kg (~31 lb)

Standard version operating temperature: -20°C ÷ +60°C (-4° F ÷ +140° F)

Main valve leakage classification: VI (bubble tight)

Flow coefficient: Kv= 12.6 Nm<sup>3</sup>/h Cv = 14,7 US gal/min

Degree of protection: IP25

G1/4 port for gauge on both sides

## **MATERIALS**

Body: brass

Bonnet: aluminium

Internal parts: brass

Main valve spring: stainless steel AISI 302

Adjusting spring: C85 (not in contact with the fluid)

Piston: brass

O-Rings: NBR (other compounds available on request)

Main valve gasket: NBR for inlet pressure up to 30 bar

PUR for greater inlet pressure

(other compounds available on request)

## **ACCESSORIES**

Pilot operated version, pressure setpoint to be controlled by a pilot regulator

Wall mounting bracket kit: M11202

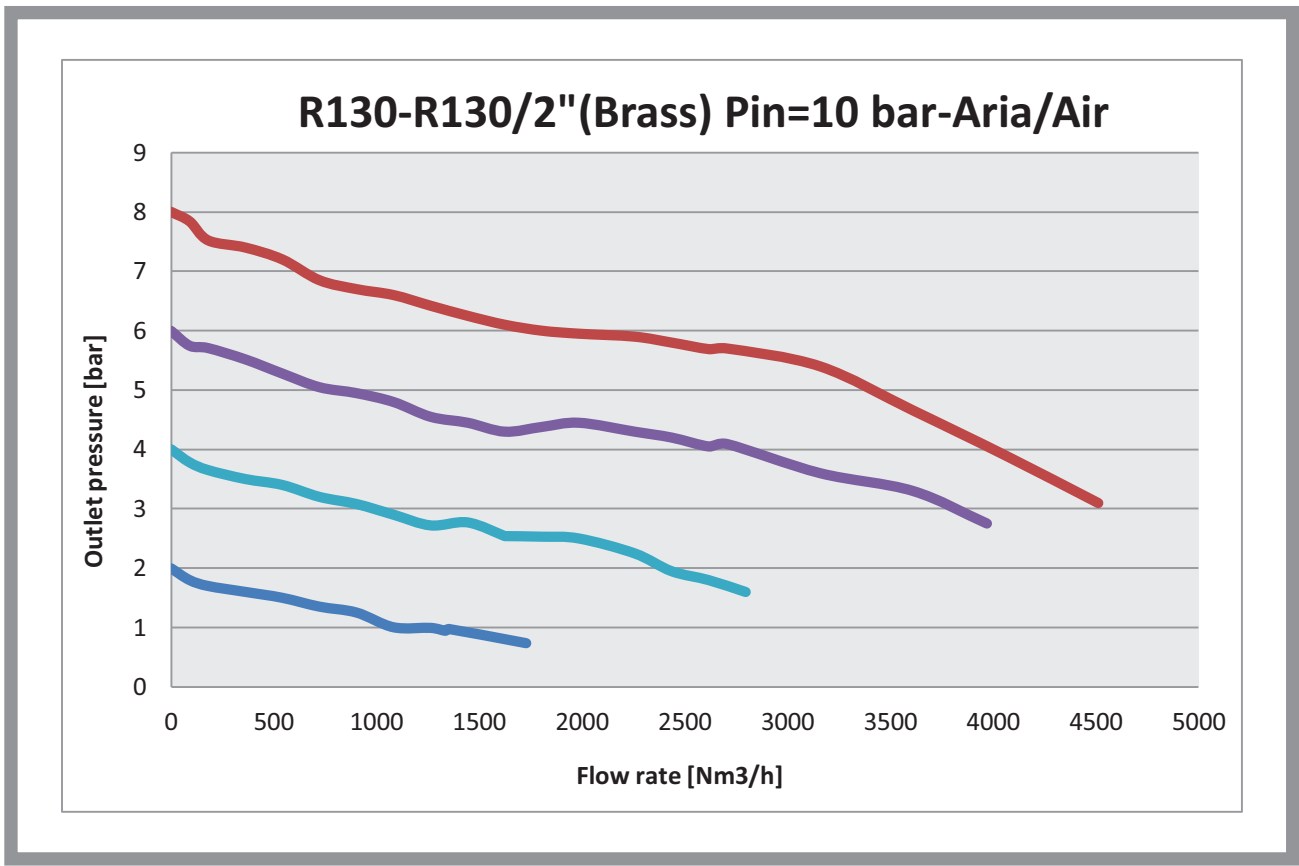
Overpressure relieving function, only for compressed air version

## **SPARE PARTS**

Gauge

Complete kit: net filter, complete main valve, O-rings.

# flow charts



## available model types

### Regolatori di pressione per media pressione

### Pressure regulators for medium pressure

Regolatori di pressione per media pressione in ottone,  
ideali per aria compressa e gas tecnici non corrosivi e liquidi

Pressure regulators for medium pressure, made of brass,  
for compressed air and technical, non corrosive gases and liquid

Corpo stampato in ottone e campana da fusione in alluminio / Forged brass body and cast aluminium bonnet

TYPE	PS bar	P.Out bar	CONNECTION IN	CONNECTION OUT	CODE	MEDIUM
						<b>R130</b>
R130 A1	30	0,2-1,5	G 1 1/2-F	G 1 1/2-F	130#S	O2
						Liquid
						*
						Air - Relieving
R130 B1	30	0,3-3	G 1 1/2-F	G 1 1/2-F	130#S	O2
						Liquid
						*
						Air - Relieving
R130 C1	30	0,8-8	G 1 1/2-F	G 1 1/2-F	130#S	O2
						Liquid
						*
						Air - Relieving
R130 F1	50	1,5-15	G 1 1/2-F	G 1 1/2-F	130#S	O2
						Liquid
						*
						Air - Relieving
R130 G1	50	3-30	G 1 1/2-F	G 1 1/2-F	130#S	O2
						Liquid
						*
						Air - Relieving
R130 L1	50	5-50	G 1 1/2-F	G 1 1/2-F	130#S	O2
						Liquid
						*
						Air - Relieving
RP130 F1**	50	1,5-15	G 1 1/2-F	G 1 1/2-F	130#S	O2
						Liquid
						*
						Air - Relieving
RP130 L1**	50	5-50	G 1 1/2-F	G 1 1/2-F	130#S	O2
						Liquid
						*
						Air - Relieving

\* Aria - N2 - He - Ar - H2 - C3H8 - CH4 - CO2 - N2O

\*\* Versione pilotata / Dome loaded execution

#### ATTACCHI DIVERSI DA STANDARD / CONNECTION DIFFERENT FROM STANDARD

Attacchi entrata/uscita NPT / Inlet/outlet connections NPT

Attacchi flangiati / Connections with flanges

#### ESECUZIONI DIVERSE DA STANDARD / FEATURES DIFFERENT FROM STANDARD

Pressione ingresso max 60 bar / Inlet pressure max 60 bar

Pressione uscita pretarata / Pre-set outlet pressure

Pressione uscita tarata fissa, vite con dado cieco / Fixed outlet pressure, screw with cap nut

O-ring diversi da standard - FPM / O-rings different from standard - FPM

O-ring diversi da standard - EPDM / O-rings different from standard - EPDM

Convogliamento su campana / Connection for bonnet piping

Cromatura-nichelatura / Chrome-Nichel plating

Stampigliatura su specifica del cliente / Not standard branding

Versione EAC TP TC 032/2013 / EAC TP TC 032/2013 version

Versione EAC-EX TP TC 012/2011 / EAC-EX TP TC 012/2011 version

Versione ATEX / ATEX version

Temperature diverse da standard / Special temperature range

Sgrassato uso O2 / Degreased for O2

#### ACCESSORI / ACCESSORIES

Kit staffa M11202 / Kit bracket M11202

## available model types

### Regolatori di pressione per media pressione Pressure regulators for medium pressure

Regolatori di pressione per media pressione in ottone,  
ideali per aria compressa e gas tecnici non corrosivi e liquidi  
Pressure regulators for medium pressure, made of brass,  
for compressed air and technical, non corrosive gases and liquid

Corpo stampato in ottone e campana da fusione in alluminio / Forged brass body and cast aluminium bonnet

TYPE	PS bar	P.Out bar	CONNECTION IN	CONNECTION OUT	CODE	MEDIUM
						<b>R130/2"</b>
R130/2" A1	30	0,2-1,5	G 2-F	G 2-F	130#T	O2
						Liquid
						*
						Air - Relieving
R130/2" B1	30	0,3-3	G 2-F	G 2-F	130#T	O2
						Liquid
						*
						Air - Relieving
R130/2" C1	30	0,8-8	G 2-F	G 2-F	130#T	O2
						Liquid
						*
						Air - Relieving
R130/2" F1	50	1,5-15	G 2-F	G 2-F	130#T	O2
						Liquid
						*
						Air - Relieving
R130/2" G1	50	3-30	G 2-F	G 2-F	130#T	O2
						Liquid
						*
						Air - Relieving
R130/2" L1	50	5-50	G 2-F	G 2-F	130#T	O2
						Liquid
						*
						Air - Relieving
RP130/2" F1**	50	1,5-15	G 2-F	G 2-F	130#T	O2
						Liquid
						*
						Air - Relieving
RP130/2" L1**	50	5-50	G 2-F	G 2-F	130#T	O2
						Liquid
						*
						Air - Relieving

\* Aria - N2 - He - Ar - H2 - C3H8 - CH4 - CO2 - N2O

\*\* Versione pilotata / Dome loaded execution

#### ATTACCHI DIVERSI DA STANDARD / CONNECTION DIFFERENT FROM STANDARD

Attacchi entrata/uscita NPT / Inlet/outlet connections NPT

Attacchi flangiati / Connections with flanges

#### ESECUZIONI DIVERSE DA STANDARD / FEATURES DIFFERENT FROM STANDARD

Pressione ingresso max 60 bar / Inlet pressure max 60 bar

Pressione uscita prearata / Pre-set outlet pressure

Pressione uscita tarata fissa, vite con dado cieco / Fixed outlet pressure, screw with cap nut

O-ring diversi da standard - FPM / O-rings different from standard - FPM

O-ring diversi da standard - EPDM / O-rings different from standard - EPDM

Convogliamento su campana / Connection for bonnet piping

Cromatura-nichelatura / Chrome-Nichel plating

Stampigliatura su specifica del cliente / Not standard branding

Versione EAC TP TC 032/2013 / EAC TP TC 032/2013 version

Versione EAC-EX TP TC 012/2011 / EAC-EX TP TC 012/2011 version

Versione ATEX / ATEX version

Temperature diverse da standard / Special temperature range

Sgrassato uso O2 / Degreased for O2

#### ACCESSORI / ACCESSORIES

Kit staffa M11202 / Kit bracket M11202

## generating the product code

R 130 IN OT58			
AA BB CC DD E F GG			
AA	Attacchi / Connections	S0	G 1 1/2-F
		T0	G 2-F
BB	Pressione ingresso / Inlet pressure	D0	30 bar
		E0	50 bar
CC	Intervallo uscita / Outlet range	A0	MOD A Pout 0,2 - 1,5 bar
		B0	MOD B Pout 0,3 - 3 bar
		D0	MOD C Pout 0,8 - 8 bar
		E0	MOD F Pout 1,5 - 15 bar
		F0	MOD G Pout 3 - 30 bar
		G0	MOD L Pout 5 - 50 bar
DD	Tipologia di fluido / Fluid type	15	O2 CAT II
		19	FPM x liquidi
		97	NBR CAT I
		98	EPDM CAT I
E	Pilotato / Pilot operated	n	Non pilotato
		P	Pilotato
F	Marchiato / Marked	I	ID
		Z	Dir ATEX 94/9 CE
GG	Accessori / Accessories	00	Nessun accessorio

## CODE COMPOSITION EXAMPLE

**130#S0 D0 D0 15 N I 00**

**130#:** Regulator R130 in brass

**S0:** Connection G 1 1/2-F

**D0:** Maximum inlet pressure 30 bar

**D0:** Outlet pressure range 0,8-8 bar

**15:** Oxygen version

**N:** Not pilot operated

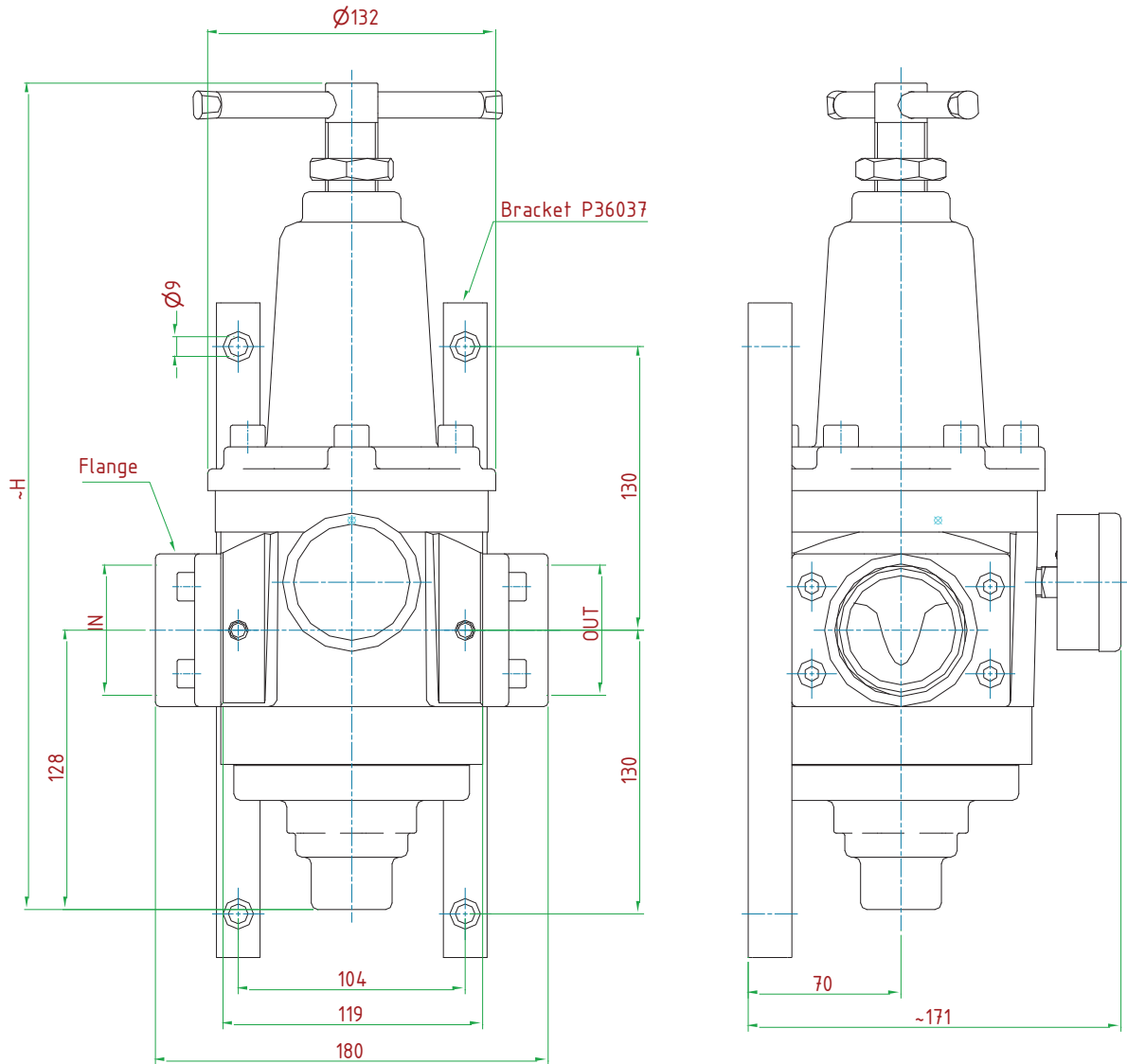
**I**

**00:** No accessories

# technical drawings (all dimensions in mm)

Brackets to be ordered separately, Kit order number: M11202

OUTLET PRESSURE				~H
0,2÷1,5	0,3÷3	0,8÷8	1,5÷15	387
	3÷30	5÷50		402



TYPE	IN/OUT	FLANGE	KIT NBR	KIT FPM FOR O2	KIT EPDM
2" GF	G2-F	P37045	-	M21106	M21104
1"-1/2 GF	G1 1/2-F	P37044	M21101	M21105	-
2" NPT F	2" NPT-F	P37047	-	-	-
1"-1/2 NPT F	1 1/2" NPT-F	P37046	-	-	-

Kit includes: flange, screws and o-ring