

R130 – R130/2" Aluminium

Aluminium pressure regulator,
for compressed air, gas and liquid



FEATURES

Pressure regulator for inlet pressure up to 30 bar (435 psi).

Connections by flanges screwed to the body.

R130 1 ½"-F

R130/2" 2"-F

Outlet pressure is controlled by an aluminium piston.

The product complies with the directive 97/23/CE PED.

Gauge for outlet pressure
(accuracy class 1.6)

SPECIFICATIONS

Weight: ~9,5 Kg (~20 lb)

Standard version operating temperature: -20°C ÷ +60°C (-4°F ÷ +140°F)

Main valve leakage classification: VI (bubble tight)

Flow coefficient: Kv= 12.6 Nm³/h Cv = 14,7 US gal/min

Degree of protection: IP25

G1/4 port for gauge on both sides

MATERIALS

Body and bonnet: aluminium

Internal parts: brass

Main valve spring: stainless steel AISI 302

Adjusting spring: C85 (not in contact with the fluid)

Piston: aluminium

O-Rings: NBR (other compounds available on request)

Main valve gasket: NBR (other compounds available on request)

ACCESSORIES

Pilot operated version, pressure setpoint to be controlled by a pilot regulator

Bracket kit: M11202

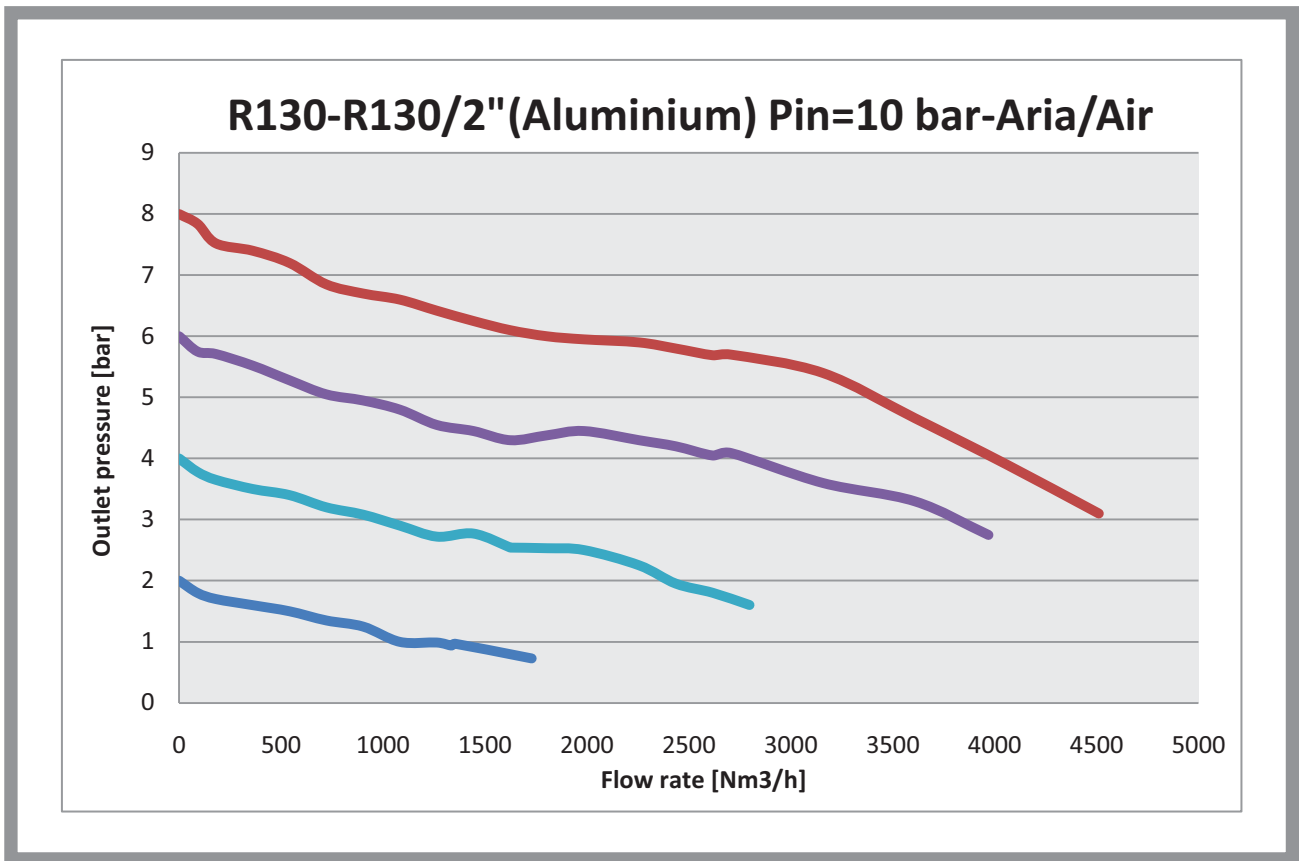
Overpressure relieving function, only for compressed air version

SPARE PARTS

Gauge

Complete kit: net filter, complete main valve, O-rings.

flow charts



available model types

Regolatori di pressione per media pressione

Pressure regulators for medium pressure

Regolatori di pressione per media pressione in lega leggera per gas non corrosivi

Pressure regulators for medium pressure made of aluminium for non-corrosive gases

Corpo e campana da fusione, struttura standard

Cast body, Standard

TYPE	PS bar	P.Out bar	CONNECTION IN	CONNECTION OUT	CODE	MEDIUM
						R130
R130 A2	30	0,2-1,5	G 1 1/2-F	G 1 1/2-F	2130#S	*
R130 B2	30	0,3-3	G 1 1/2-F	G 1 1/2-F	2130#S	*
R130 C2	30	0,8-8	G 1 1/2-F	G 1 1/2-F	2130#S	*
R130 E2	30	1,5-15	G 1 1/2-F	G 1 1/2-F	2130#S	*
						R130/2"
RP130 E2 **	30	1,5-15	G 1 1/2-F	G 1 1/2-F	2130#S	*
R130/2" A2	30	0,2-1,5	G 2-F	G 2-F	2130#T	*
R130/2" B2	30	0,3-3	G 2-F	G 2-F	2130#T	*
R130/2" C2	30	0,8-8	G 2-F	G 2-F	2130#T	*
R130/2" E2	30	1,5-15	G 2-F	G 2-F	2130#T	*
R130/2" E2**	30	1,5-15	G 2-F	G 2-F	2130#T	*

* Aria - N2 - He - Ar - H2 - C3H8 - CH4 - CO2 - N2O

** Versione pilotata / Dome loaded execution

ATTACCHI DIVERSI DA STANDARD / CONNECTION DIFFERENT FROM STANDARD

Attacchi entrata/uscita NPT / Inlet/outlet connections NPT

ESECUZIONI DIVERSE DA STANDARD / EXECUTIONS DIFFERENT FROM STANDARD

Pressione uscita pretarata / Pre-set outlet pressure

Pressione uscita tarata fissa / Fixed outlet pressure

O-ring diversi da standard - FPM / O-ring different of standard - FPM

O-ring diversi da standard - EPDM / O-ring different from standard - EPDM

Convogliamento su campana / Venting on bonnet

Stampigliatura su specifica del cliente / Not standard branding

ACCESSORI / ACCESSORIES

Kit staffa M11202 / Kit bracket M11202

generating the product code

R130 LL			
AA BB CC DD E F GG			
AA	Attacchi / Connections	S0	G 1"1/2-F
		T0	G 2-F
BB	Pressione ingresso / Inlet pressure	D0	30 bar
CC	Intervallo uscita / Outlet range	A0	MOD A Pout 0,2 - 1,5 bar
		B0	MOD B Pout 0,3 - 3 bar
		D0	MOD C Pout 0,8 - 8 bar
		E0	MOD E Pout 1,5 - 15 bar
DD	Tipologia di fluido / Fluid type	97	NBR CAT I
E	Pilotato / Pilot operated	N	Non pilotato
		P	Pilotato
F	Marchiato / Marked	I	ID
GG	Accessori / Accessories	00	Nessun accessorio

CODE COMPOSITION EXAMPLE

2130#T0 D0 D0 97 N I 00

2130#: Regulator R130 LL

T0: Connection G2-F

D0: Maximum inlet pressure 30 bar

D0: Outlet pressure range 0,8-8 bar

97: NBR O-rings

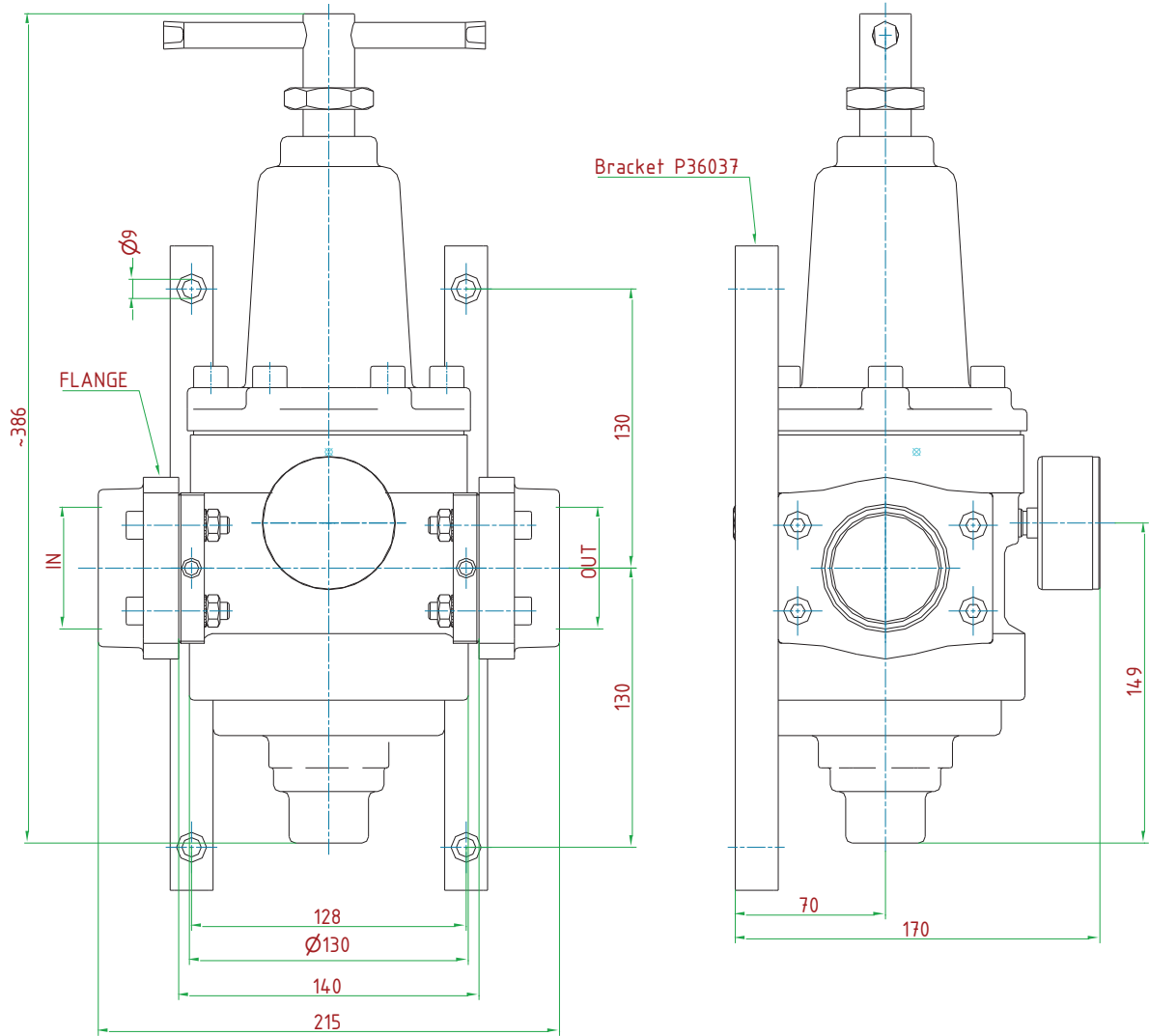
N: Not pilot operated

I

00: No accessories

technical drawings (all dimensions in mm)

Bracket to be ordered separately, Kit order number: M11202



TYPE	IN/OUT	FLANGE	KIT NBR
R130LL 1 1/2"GF	G1 1/2-F	P37012	M27208
R130LL 2"GF	G2-F	P37013	M27209
R130LL 1 1/2"NPTF	1 1/2"NPT-F	P37026	-
R130LL 2"NPTF	2"NPT-F	P37029	-

Kit includes: flanges, bolts and o-rings