

R14 MC – R18 MC Aluminium

Aluminium micro pressure regulator,
for compressed air, gas and liquid



FEATURES

Minimum size pressure regulator.
Inlet pressure up to 20 bar (290 psi).

Inlet and outlet connections 1/4"-F or
1/8"-F ports.

Outlet pressure is controlled by a rubber
diaphragm.

Overpressure relieving function.

The product complies with the directive
97/23/CE PED.

SPECIFICATIONS

Regulator weight: ~122 g (~0,269 lb)

Working temperature: -10°C ÷ +50°C (-14°F ÷ +122° F)

Main valve leakage classification: VI (bubble tight)

Flow coefficient: $K_v = 0.2 \text{ Nm}^3/\text{h}$ $C_v = 0,23 \text{ US gal/min}$

Degree of protection: IP25

G1/8 gauge port for outlet pressure on both sides

MATERIALS

Body: aluminium

Bonnet: POM/PA 6.6

Internal part: aluminium/brass

Main valve spring: stainless steel AISI 302

Adjusting spring: C85 (not in contact with the fluid)

Diaphragm: NBR or EPDM depending on the fluid

O-Rings: NBR or EPDM depending on the fluid

Main valve gasket: NBR or EPDM depending on the fluid

ACCESSORIES

Panel mounting ring-nut P35013110304

Wall mounting metal bracket + plastic ring-nut: M14201 (package 10 pieces)

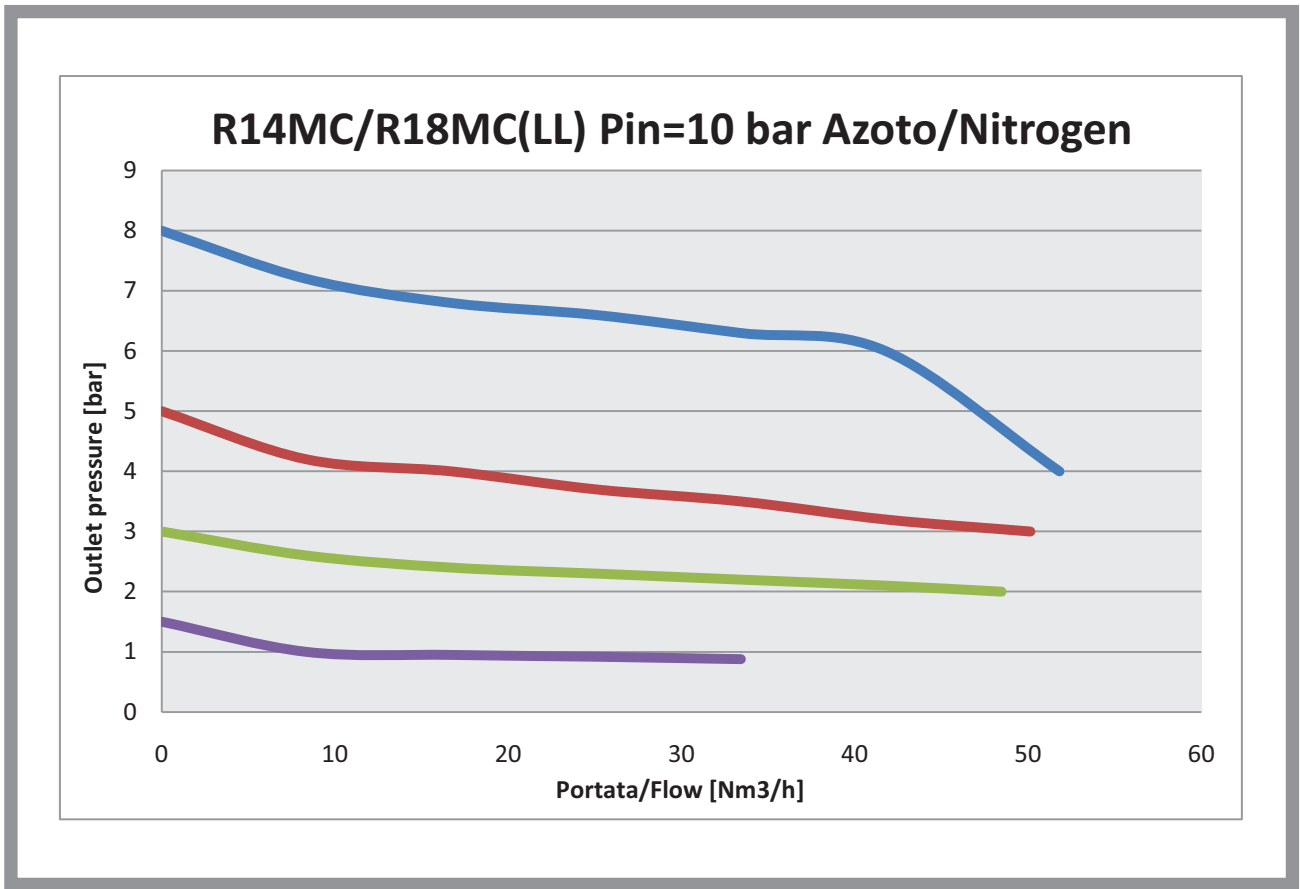
Pilot operated version, pressure setpoint to be controlled by a pilot regulator

Not relieving version for gas and liquids.

SPARE PARTS

Complete kit: assembled diaphragm, main valve, O-rings

flow charts



available model types

Regolatori di pressione

Pressure regulators

Regolatori di pressione per media pressione in lega leggera idonei per aria compressa

Pressure regulators for medium pressure made of aluminium suitable for compressed air

Corpo da fusione in alluminio / Cast aluminium body

Campana in plastica / Bonnet made of plastic

Struttura micro / Micro execution

TYPE	PS bar	P.Out bar	CONNECTION IN/OUT	RELIEVING	GAUGE	CODE	MEDIUM
							R14 MC
R14 MC	20	0,2-1,5	G 1/4-F	S	N	542#N	Air
R14 MC	20	0,3-3	G 1/4-F	S	N	542#N	Air
R14 MC	20	0,8-8	G 1/4-F	S	N	542#N	Air
R14 MC	20	1,5-15	G 1/4-F	S	N	542#N	Air
RP 14 MC **	20	1,5-15	G 1/4-F	S	N	542#N	Air
							R18 MC
R18 MC	20	0,2-1,5	G 1/8-F	S	N	542#M	Air
R18 MC	20	0,3-3	G 1/8-F	S	N	542#M	Air
R18 MC	20	0,8-8	G 1/8-F	S	N	542#M	Air
R18 MC	20	1,5-15	G 1/8-F	S	N	542#M	Air
RP 18 MC **	20	1,5-15	G 1/8-F	S	N	542#M	Air

** Versione pilotata / Dome loaded execution

ESECUZIONI DIVERSE DA STANDARD / EXECUTIONS DIFFERENT FROM STANDARD

Pressione uscita pretarata / Pre-set outlet pressure

Pressione uscita tarata fissa / Fixed outlet pressure

Versione non Relieving / Non Relieving execution

Sgrassato uso O2 / Degreased for O2

ACCESSORI / ACCESSORIES

Ghiera P35013110304 / Lock nut P35013110304

Kit staffa metallica+ ghiera plastica M14201 - Confezione 10 pezz / Kit bracket +Lock nut of plastic M14201 - 10 pieces per

generating the product code

R14-18 MC			
AA BB CC DD E F GG			
AA	Attacchi / Connections	M0	R18MC G 1/8-F
		N0	R14MC G 1/4-F
BB	Pressione ingresso / Inlet pressure	C0	PS 20 bar
CC	Intervallo uscita / Outlet range	A0	Pout 0,2 - 1,5 bar
		B0	Pout 0,3 - 3 bar
		D0	Pout 0,8 - 8 bar
		E0	Pout 1,5 - 15 bar
DD	Tipologia di fluido / Fluid type	01	Relieving
E	Pilotato / Pilot operated	n	Non pilotato
		P	Pilotato
F	Marchiato / Marked	I	ID
GG	Accessori / Accessories	00	Nessun accessorio

CODE COMPOSITION EXAMPLE

542#N0 C0 D0 01 N I 00

542#: Regulator Micro MC LL

N0: Connection G 1/4-F

C0: Maximum inlet pressure 20 bar

D0: Outlet pressure range 0,8-8 bar

01: Relieving

N: Not pilot operated

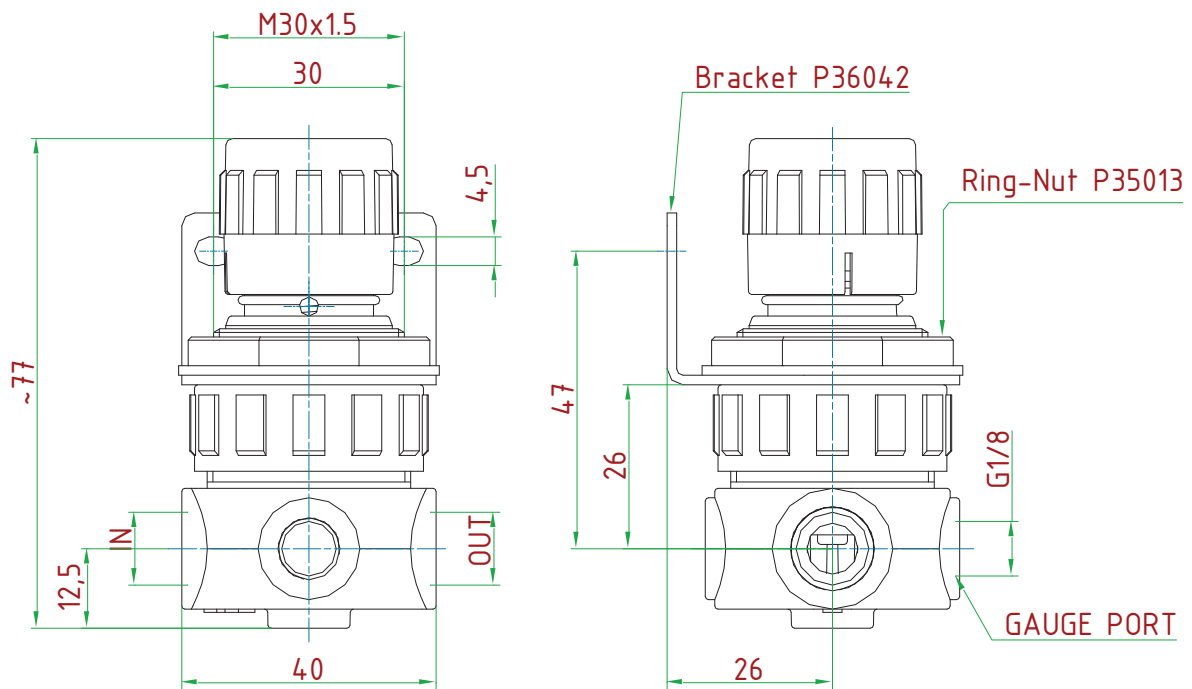
I

00: No accessories

technical drawings (all dimensions in mm)

Bracket and Ring-Nut to be ordered separately
 Order number bracket: M14201 (10 pieces)
 Order number Ring-Nut: P35013110304

TYPE	IN/OUT
R14MC 1/4" GF	G1/4-F
R14MC 1/4" NPTF	1/4"NPT-F
R18MC 1/8" GF	G1/8-F



P.out. 0.2÷1.5/0.3÷3/0.5÷5/0.8÷8/1.5÷15