

R14 MC – R18 MC brass

Brass micro pressure regulator,
for compressed air, gas and liquid



FEATURES

Minimum size pressure regulator.
Inlet pressure up to 20 bar (290 psi) for the plastic bonnet version; inlet pressure up to 30 bar (435 psi) for the brass bonnet version.

Inlet and outlet connections 1/4"-F or 1/8"-F ports.
Other connections available on request.

Outlet pressure is controlled by a rubber diaphragm.
The main valve is balanced.

The brass bonnet model is available for ATEX environment.

Brand  II 2GDc IICX.

For use in potentially explosive atmospheres zones: 1, 21, 2, 22 (not applicable in mines and zone 0).

The product complies with the directive 97/23/CE PED.

SPECIFICATIONS

Main valve leakage classification: VI (bubble tight)

Flow coefficient: $K_v = 0.2 \text{ Nm}^3/\text{h}$ $C_v = 0,23 \text{ US gail/min}$

Degree of protection: IP25

G1/8 gauge ports on both sides

PLASTIC BONNET VERSION

Maximum operating temperature PS 20 bar (290 psi)

Regulator weight: ~260 g (~0,57 lb)

Operating temperature: $-10^\circ\text{C} \div +50^\circ\text{C}$ ($14^\circ\text{F} \div +122^\circ\text{F}$)

BRASS BONNET VERSION

Maximum operating temperature PS 30 bar (435 psi)

Regulator weight: ~360 g (~0,79 lb)

MATERIALS

Body: brass

Bonnet, version PS 20 bar: POM/PA 6.6

Bonnet, version PS 30 bar: brass

Internal parts: brass

Main valve spring: stainless steel AISI 302

Adjusting spring: C85, not in contact with the fluid

Diaphragm: NBR or FPM or EPDM depending on the fluid, eventually with coupled PTFE diaphragm

O-Ring: NBR or FPM or EPDM depending on the fluid (other compounds available on request)

Main valve gasket: NBR or FPM or EPDM depending on the fluid (other compounds available on request)

ACCESSORIES

Panel mounting plastic ring-nut P35013110304

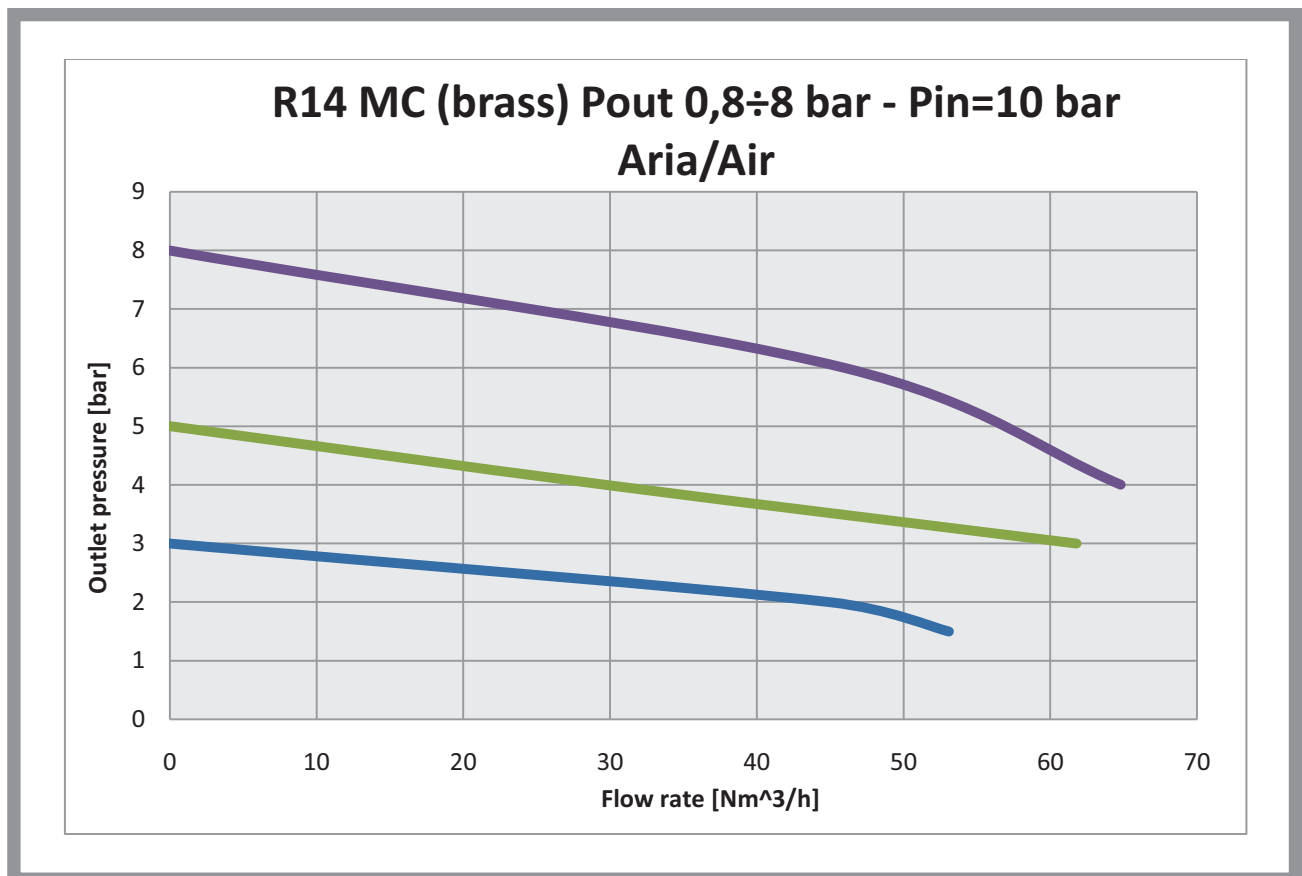
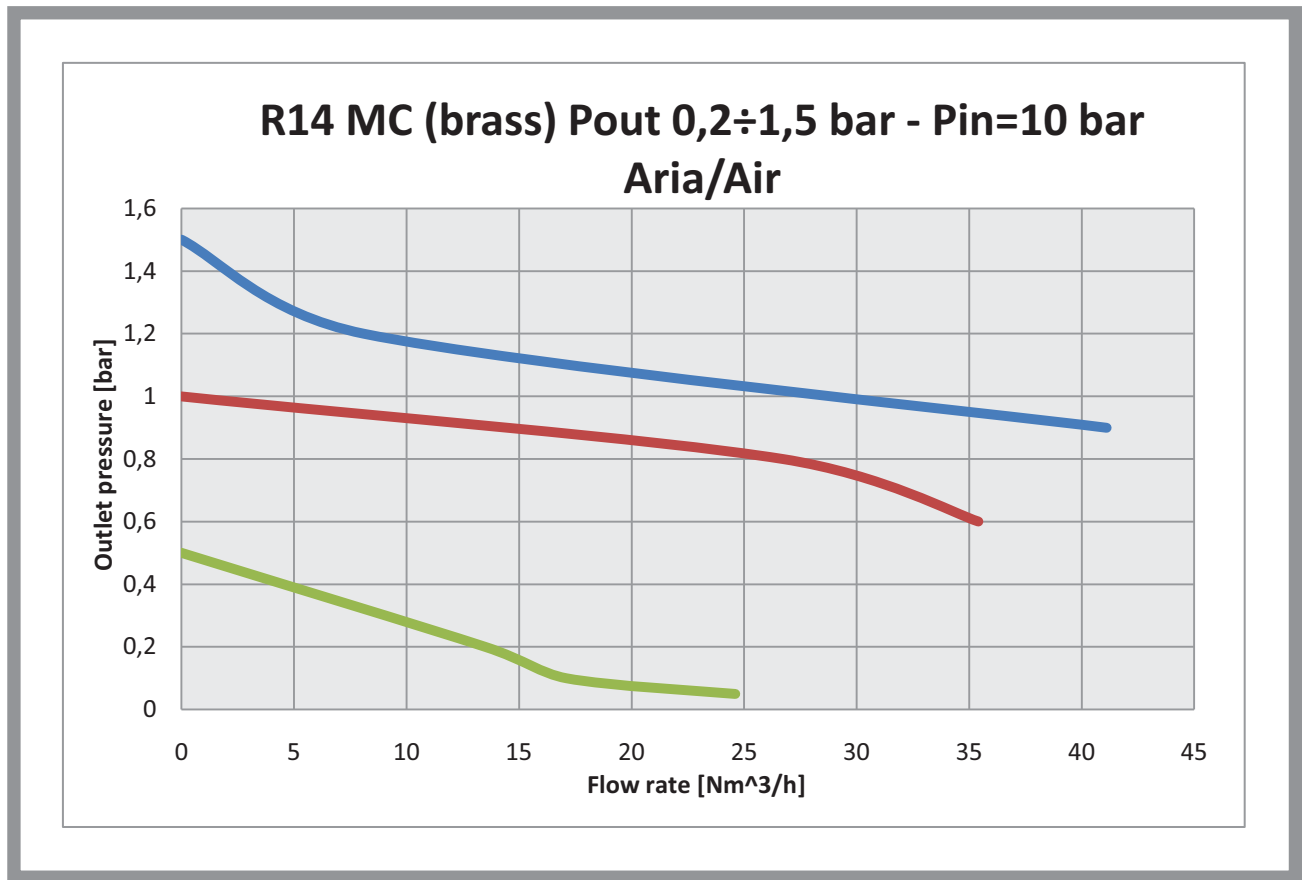
Kit metal bracket + plastic ring-nut: M14201 (package 10 pieces)

Overpressure relieving function, only for compressed air version

SPARE PARTS

Complete kit: assembled diaphragm, main valve, O-rings

flow charts



available model types

**Regolatori di pressione per media pressione in ottone,
idei per aria compressa e gas tecnici non corrosivi e liquidi**
**Pressure regulators for medium pressure, made of brass,
for compressed air and technical, non corrosive gases and liquid**

Corpo da lavorazione di barra / Body by machining bar

TYPE	PS bar	P.Out bar	CONNECTION IN	CONNECTION OUT	CODE	MEDIUM
Campana in plastica / Bonnet made of plastic						R14 MC
R14 MC	20	0,2-1,5	G 1/4-F	G 1/4-F	541#N	Air
						Liquid
R14 MC	20	0,3-3	G 1/4-F	G 1/4-F	541#N	Air
						Liquid
R14 MC	20	0,8-8	G 1/4-F	G 1/4-F	541#N	Air
						Liquid
R14 MC	20	1,5-15	G 1/4-F	G 1/4-F	541#N	Air
						Liquid
Campana in ottone / Bonnet made of brass						
R14 MC	30	0,2-1,5	G 1/4-F	G 1/4-F	541#N	O2
						Liquid
						*
R14 MC	30	0,3-3	G 1/4-F	G 1/4-F	541#N	O2
						Liquid
						*
R14 MC	30	0,8-8	G 1/4-F	G 1/4-F	541#N	O2
						Liquid
						*
R14 MC	30	1,5-15	G 1/4-F	G 1/4-F	541#N	O2
						Liquid
						*
Campana in plastica / Bonnet made of plastic						R18 MC
R18 MC	20	0,2-1,5	G 1/8-F	G 1/8-F	541#M	Air
						Liquid
R18 MC	20	0,3-3	G 1/8-F	G 1/8-F	541#M	Air
						Liquid
R18 MC	20	0,8-8	G 1/8-F	G 1/8-F	541#M	Air
						Liquid
R18 MC	20	1,5-15	G 1/8-F	G 1/8-F	541#M	Air
						Liquid
Campana in ottone / Bonnet made of brass						
R18 MC	30	0,2-1,5	G 1/8-F	G 1/8-F	541#M	O2
						Liquid
						*
R18 MC	30	0,3-3	G 1/8-F	G 1/8-F	541#M	O2
						Liquid
						*
R18 MC	30	0,8-8	G 1/8-F	G 1/8-F	541#M	O2
						Liquid
						*
R18 MC	30	1,5-15	G 1/8-F	G 1/8-F	541#M	O2
						Liquid
						*

* Air - N2 - He - Ar - H2 - C3H8 - CH4 - CO2 - N2O

ATTACCHI DIVERSI DA STANDARD / CONNECTION DIFFERENT FROM STANDARD

Attacchi entrata/uscita NPT / Inlet/outlet connections NPT

ESECUZIONI DIVERSE DA STANDARD / EXECUTIONS DIFFERENT FROM STANDARD

O-ring diversi da standard - FPM / O-ring different of standard - FPM

O-ring diversi da standard - EPDM / O-ring different from standard - EPDM

Convogliamento su campana / Venting on bonnet

Cromatura-nichelatura / Chrome-Nichel plating

Stampigliatura su specifica del cliente / Not standard branding

Versione ATEX per campana in ottone / ATEX version for brass bonnet

Temperature diverse da standard / Special temperature range

Sgrassato uso O2 / Degreased for O2

ACCESSORI / ACCESSORIES

Ghiera P35013110304 / Ring nut P35013110304

Kit staffa metallica+ ghiera plastica M14201 - Confezione 10 pezzi / Kit bracket +Ring nut of plastic M14201 - 10 pieces per

generating the product code

Reg. Micro MC Ottone			
AA BB CC DD E F GG			
AA	Attacchi / Connections	M0	R18MC G 1/8-F
		N0	R14MC G 1/4-F
BB	Pressione ingresso / Inlet pressure	C0	20 bar - campana plastica
		D0	30 bar
CC	Intervallo uscita / Outlet range	A0	0,2 - 1,5 bar
		B0	0,3 - 3 bar
		D0	0,8 - 8 bar
		E0	1,5-15 bar
DD	Tipologia di fluido / Fluid type	15	O2
		97	NBR
		98	EPDM
		99	FPM
E	Pilotato / Pilot operated	n	Non pilotato
		P	Pilotato
F	Marchiato / Marked	I	ID
GG	Accessori / Accessories	00	Nessun accessorio

CODE COMPOSITION EXAMPLE

541#N0 C0 D0 97 N I 00

541#: Micro Regulator MC in brass

N0: Connection G1/4-F

C0: Maximum inlet pressure 20 bar

D0: Outlet pressure range 0,8-8 bar

97: NBR O-rings

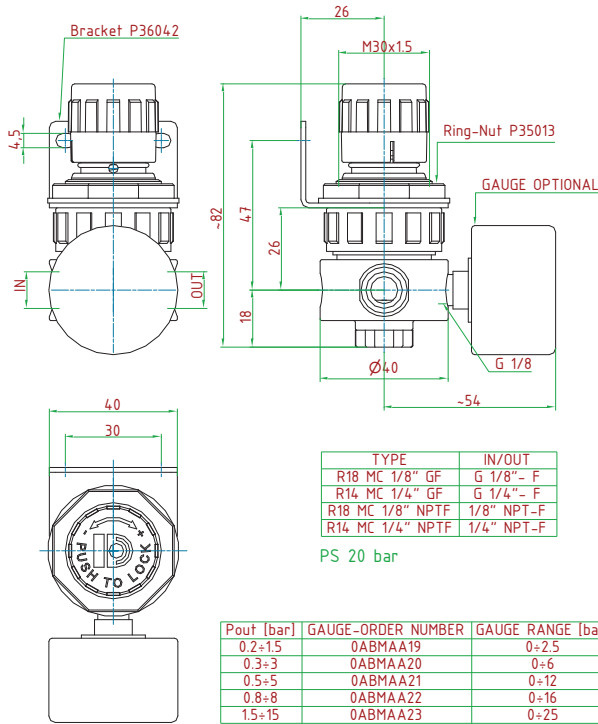
N: Not pilot operated

I

00: No accessories

technical drawings (all dimensions in mm)

Bracket and Ring-Nut to be ordered separately
 Order number bracket: M14201 (10 pieces)
 Order number Ring-Nut: P35013110304



Bracket and Ring-Nut to be ordered separately
 Order number bracket: M14201 (10 pieces)
 Order number Ring-Nut: P35021030304

