

# R3126/DN100-R3126/DN80

Stainless steel AISI 316L pressure regulator,  
for compressed air, gas and liquid



## FEATURES

Pressure regulator for inlet pressure up to 30 bar (435 psi).

Flanged connections welded to the body EN1092-01/01A/DN80/PN40 and EN1092-01/01A/DN100/PN40.

Different available flanges "EN" or "ASME".

Outlet pressure is controlled by a rubber diaphragm.

Balanced main valve.

The product complies with the 97/23/CE PED directive.

Gauges for inlet and outlet pressure (accuracy class 1.6)

Adjusting spring for outlet pressure 0.2÷1.5 bar and 0.6÷6 bar.

Built in pilot regulator for outlet pressure 1.5÷15.

## **SPECIFICATIONS**

Weight EN1092-01/01A/DN80/PN40: ~86.5 kg (~191 lb)

Weight EN1092-01/01A/DN100/PN40: ~89.5 kg (~197 lb)

Operating temperature: -20°C ÷ +60°C (-4 °F ÷ +140 °F) for standard version

Main valve leakage: VI (bubble tight)

Degree of protection: IP25

G¼ pressure gauges ports, flow from left to right

## **MATERIALS**

Body: stainless steel AISI 316L

Bonnet: stainless steel AISI 316L

Pilot regulator: AISI 316L (only for outlet pressure 1.5÷15 bar version)

Internal parts: stainless steel AISI 316L

Main valve spring: C85 nickel plated NiP/Fe 15 µm

Adjusting spring: C85 nickel plated NiP/Fe 15 µm (not in contact with the fluid)

Diaphragm: two coupled diaphragm in Neoprene and PTFE (PTFE not in contact with the fluid)

O-Rings: FPM (different compounds available on request)

## **ACCESSORIES**

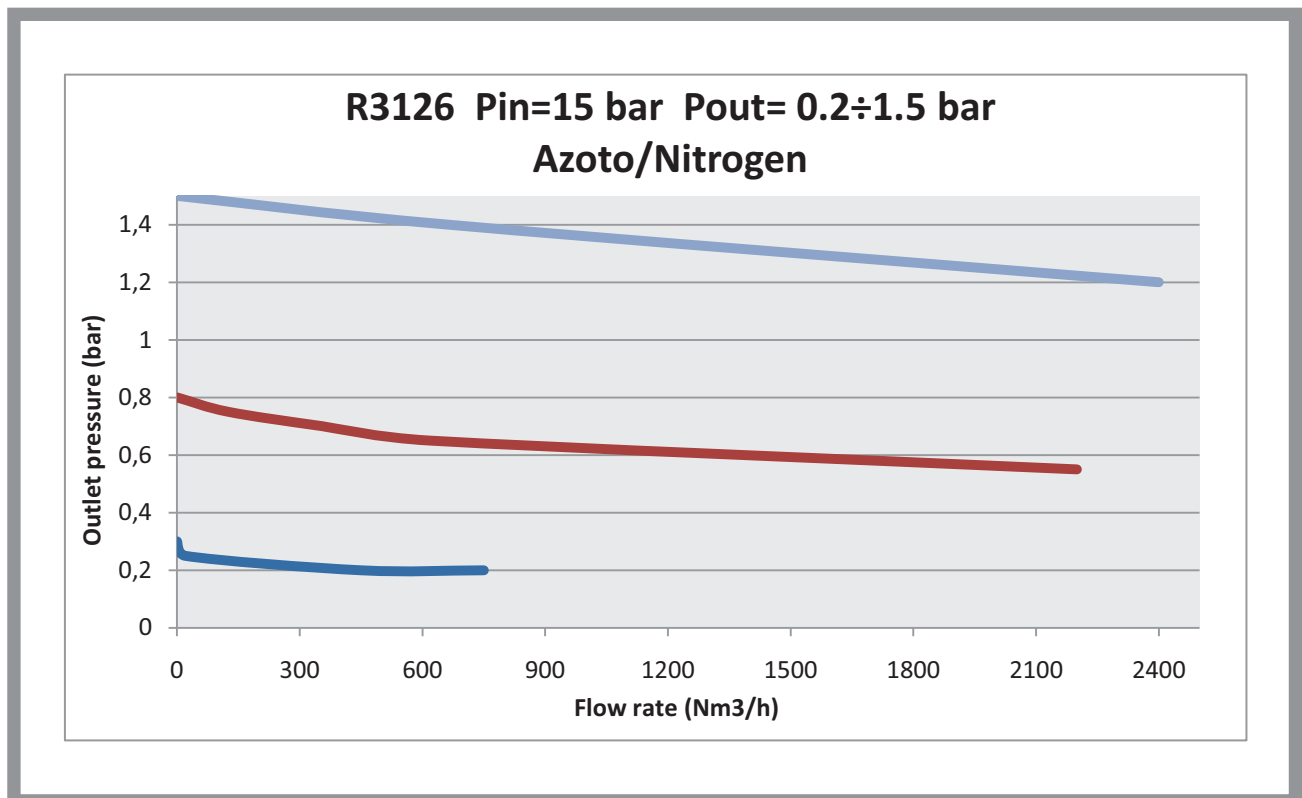
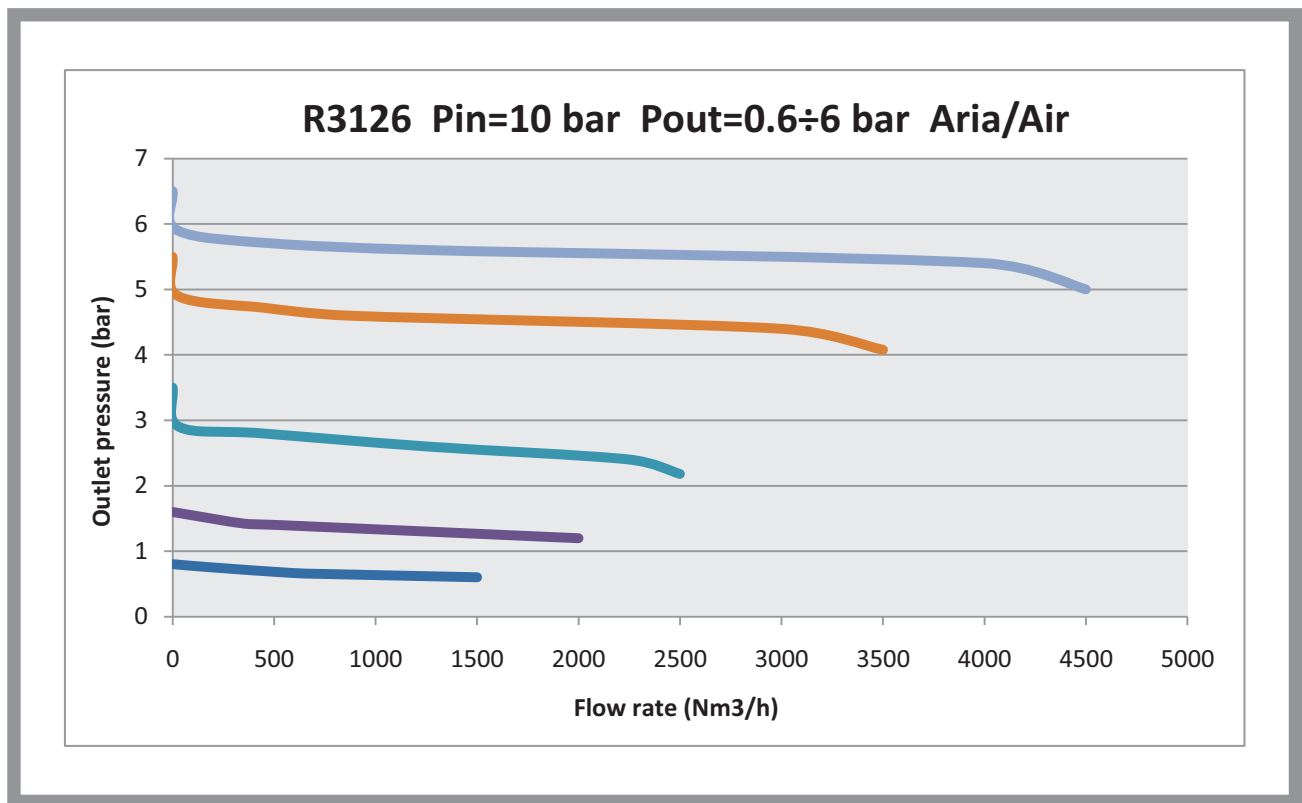
Overpressure relieving function (only for compressed air)

## **SPARE PARTS**

Gauges

Complete kit: assembled diaphragm, main valve, o-rings

## flow charts



## available model types

### Regolatori di pressione per media pressione Pressure regulators for medium pressure

Regolatori di pressione per media pressione in acciaio inox,  
ideali per aria compressa e gas tecnici non corrosivi e liquidi  
Pressure regulators for medium pressure, made of stainless steel,  
for compressed air and technical, non corrosive gases and liquid  
Corpo e campana da lavorazione di barra / Body by machining bar

TYPE	PS bar	P.Out bar	CONNECTION IN	CONNECTION OUT	CODE	MEDIUM
						<b>R3126/DN100</b>
R3126 A	30	0,2-1,5	DN100	DN100	3126#K	O2 Liquid *
R3126 C	30	0,6-6	DN100	DN100	3126#K	O2 Liquid *
RP3126 D **	30	1,5-15	DN100	DN100	3126#K	O2 Liquid *
						<b>R3126/DN80</b>
R3126/DN80 A	30	0,2-1,5	DN80	DN80	3126#I	O2 Liquid *
R3126/DN80 C	30	0,6-6	DN80	DN80	3126#I	O2 Liquid *
RP3126/DN80 D **	30	1,5-15	DN80	DN80	3126#I	O2 Liquid *

\* Aria - N2 - He - Ar - H2 - C3H8 - CH4 - CO2 - N2O

\*\* Versione pilotata / Dome loaded execution

#### ATTACCHI DIVERSI DA STANDARD / CONNECTION DIFFERENT FROM STANDARD

Attacchi flangiati diversa da standard / Connections with flanges different from standard

#### ESECUZIONI DIVERSE DA STANDARD / EXECUTIONS DIFFERENT FROM STANDARD

O-ring diversi da standard - EPDM / O-ring different from standard - EPDM

O-ring secondo FDA / O-ring in accordante to FDA

Convogliamento su campana / Venting on bonnet

Stampigliatura su specifica del cliente / Not standard branding

Sgrassato uso O2 / Degreased for O2

## generating the product code

Reg R3126 in AISI 316L			
AA BB CC DD E FF			
AA	Attacchi / Connections	I0	IN/OUT EN1092-01/01A/DN80/PN 40
		K0	IN/OUT EN1092-01/01A/DN100/PN 40
BB	Pressione ingresso / Inlet pressure	D0	PS 30 bar
CC	Intervallo uscita / Outlet range	A0	A1 - Pout 0,2 - 1,5 bar
		E0	D1 Pout 1,5 - 15 bar
		H0	C1 - Pout 0,6 - 6 bar
DD	Tipologia di fluido / Fluid type	99	FPM
E	Marchiato / Marked	I	ID
FF	Accessori / Accessories	00	Nessun accessorio

### CODE COMPOSITION EXAMPLE

**3126#K0 D0 H0 99 I 00**

**3126#:** R3126 AISI 316L regulator

**K0:** IN/OUT EN1092-01/01A/DN100/PN40 flanges

**D0:** maximum inlet pressure 30 bar

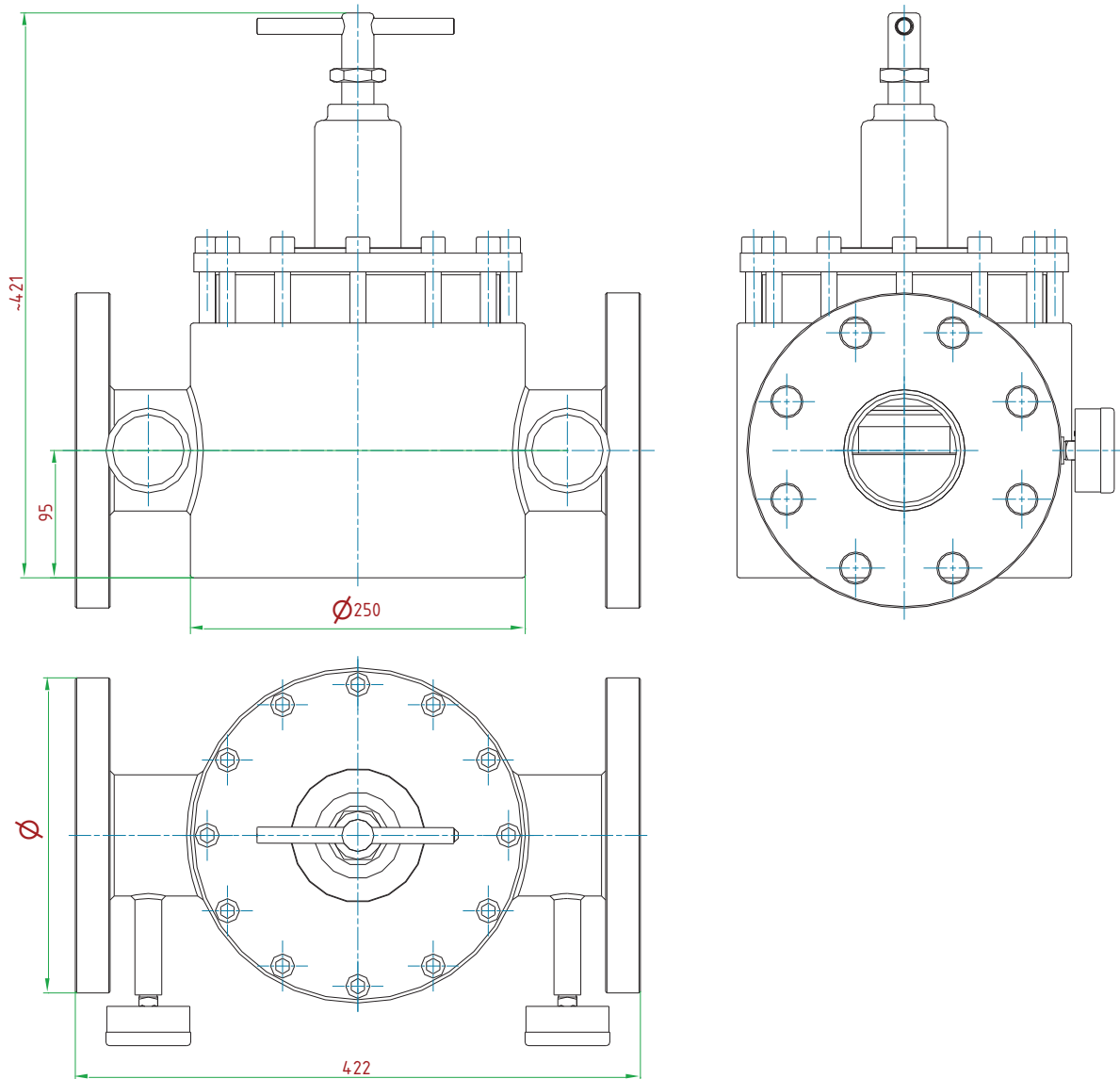
**H0:** outlet pressure range 0.6-6 bar

**99:** FPM gaskets

**I**

**00:** no accessories

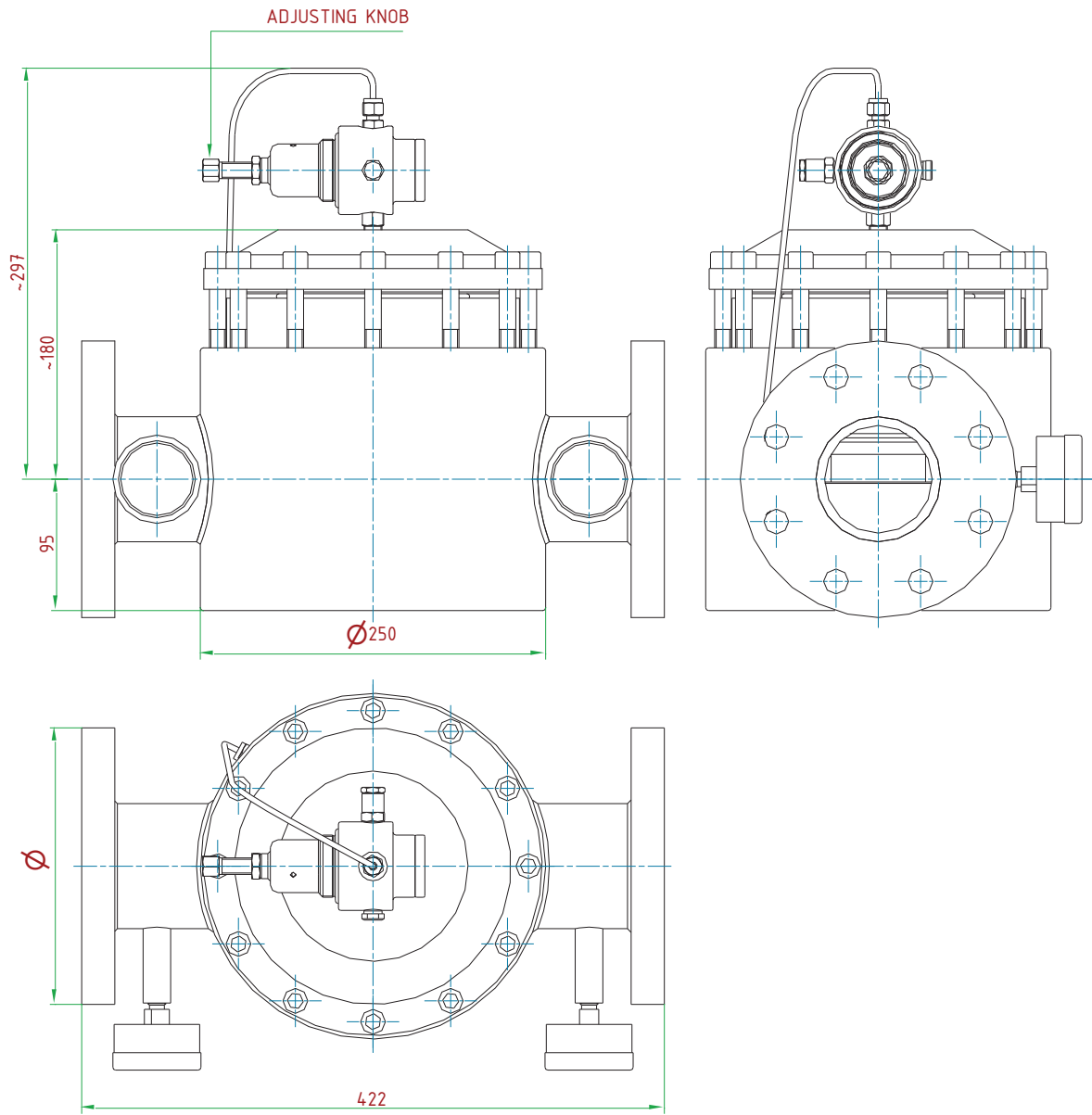
technical drawings (all dimensions in mm)



FLANGE		
TYPE	DESCRIPTION	$\varnothing$
R3126/DN80	EN1092-01/01A/DN80/PN40	200
R3126/DN100	EN1092-01/01A/DN100/PN40	235

R3126 A – R3126 C

technical drawings (all dimensions in [mm])



FLANGE		
TYPE	DESCRIPTION	Ø
R3126/DN80	EN1092-01/01A/DN80/PN40	200
R3126/DN100	EN1092-01/01A/DN100/PN40	235

R3126 D