

# R1200

Brass high pressure regulator,  
for compressed air, gas and liquids



## FEATURES

High pressure regulator for cylinder or manifold; standard version inlet pressure up to 220 bar (3190 psi), higher pressure for special versions.


Ideal for industrial application and for welding equipment.

Inlet connection by nose nipple and hexagon nut G $\frac{3}{4}$ -F. Other connections available on request.

Balanced main valve for a constant outlet pressure when varying the upstream pressure.

Outlet pressure up to 15 bar (218 psi) is controlled by a diaphragm; greater outlet pressures are controlled by a piston.

Available the ATEX version.

Brand  II 2GDcllCX.

For use in potentially explosive atmospheres zones: 1, 21, 2, 22 (not for mines and zone 0).

The product complies with the directive 97/23/CE PED.

## **SPECIFICATIONS**

Gauges: accuracy class 1,6

Regulator weight: ~4.5 Kg (~9,9 lb)

Standard version operating temperature: -20°C ÷ +60°C (-4°F ÷ 140°F)

Main valve leakage classification: VI (bubble tight)

Flow coefficient:  $K_v = 0.25 \text{ Nm}^3/\text{h}$  ( $C_v = 0,29 \text{ US gal/min}$ )

Degree of protection: IP25

## **MATERIALS**

Body and bonnet: brass

Internal parts: brass

Adjusting spring: C85 (not in contact with the fluid)

Main valve spring: C85 (not in contact with the fluid)

Diaphragm (for outlet pressure up to 15 bar): two coupled diaphragms NBR+PTFE, PTFE in contact with the fluid

Piston (for greater outlet pressure): brass

O-rings: EPDM or FPM depending on the fluid (other compounds available on request)

Main valve gasket: PA 6.6 (EPDM for PS 15 bar)

## **ACCESSORIES**

Ring-nut ODU80301

Kit bracket and ring-nut M1B101

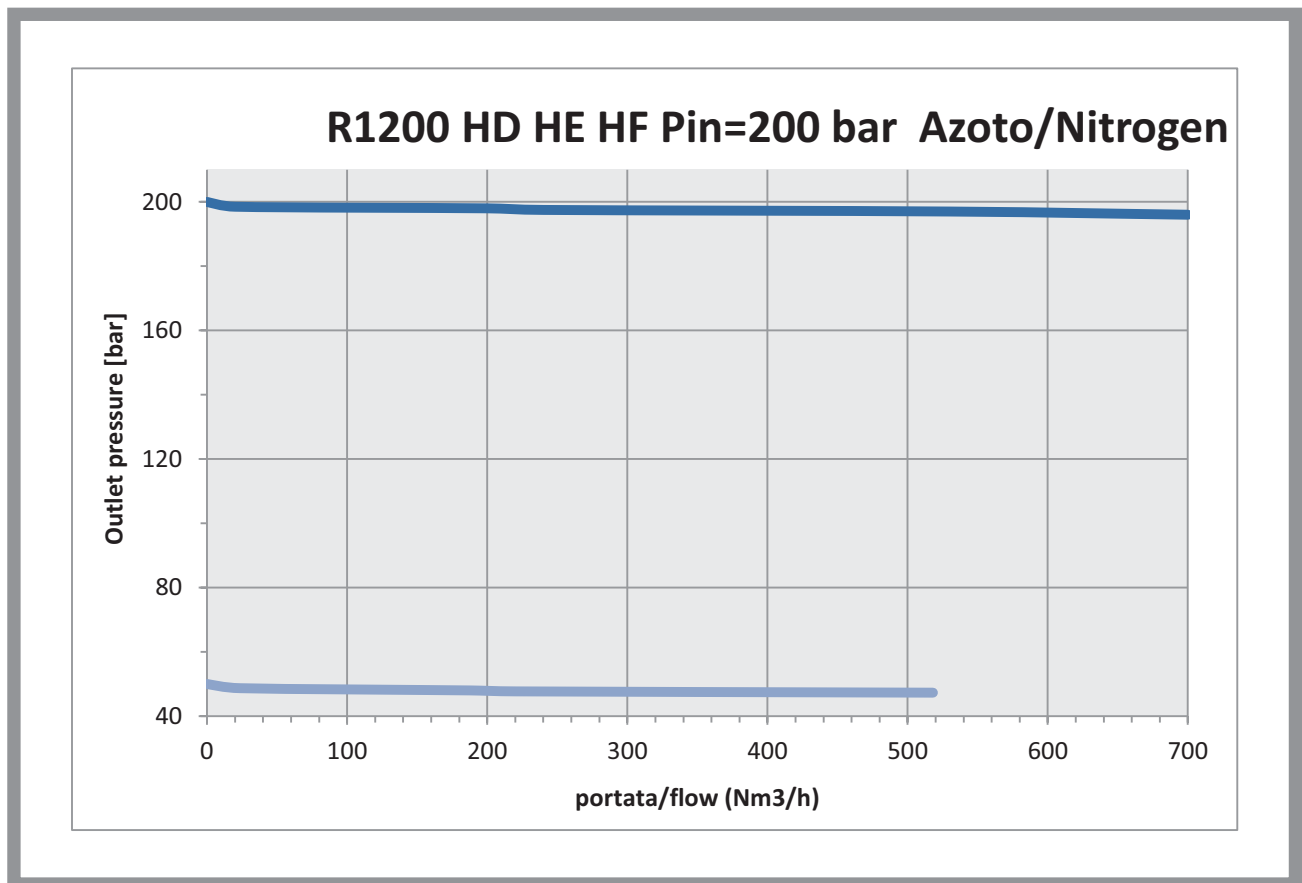
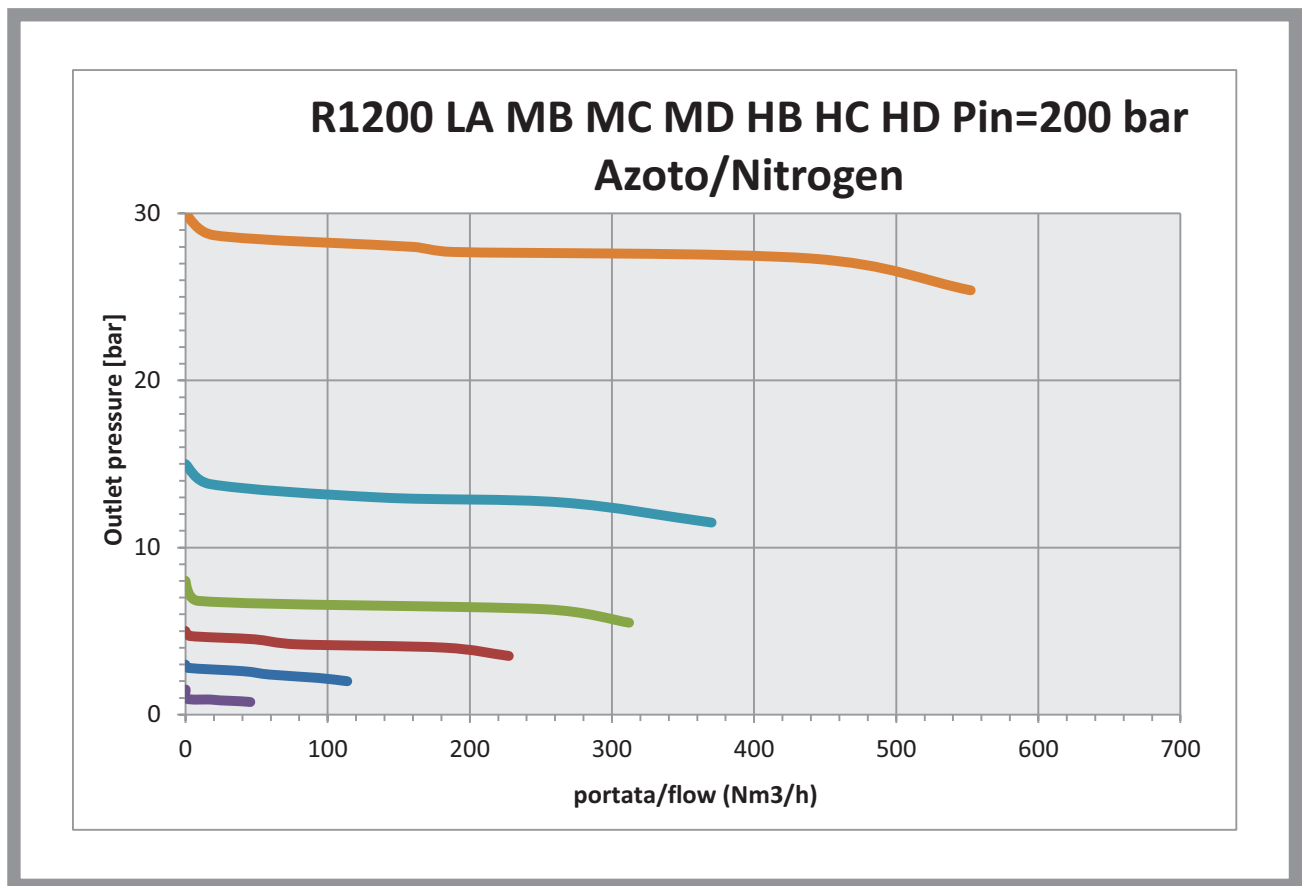
## **SPARE PARTS**

Gauges

Relief valve

Complete kit: gaskets, assembled diaphragm, filter, main valve, O-rings

# flow charts



## available model types

Corpo da lavorazione di barra tonda, attacco entrata con codolo bombato a dado girevole G 3/4-F  
Body by machining round bar, inlet connection with hemispheric end and rotating G 3/4-F nut

TYPE	PS bar	P.Out bar	CONNECTION IN	CONNECTION OUT	CODE	MEDIUM
						<b>R1200</b>
R1200 LA	15	0,2-1,5	G 3/4-F	G 1/2-M	1200#	C2H2
R1200 MB	80	1,5-15	G 3/4-F	G 1/2-M	1200#	CO2 - N2O
R1200 MC	80	3-30	G 3/4-F	G 3/8-F	1200#	CO2 - N2O
R1200 MD	80	5-50	G 3/4-F	G 3/8-F	1200#	CO2 - N2O
R1200 HB	220	1,5-15	G 3/4-F	G 1/2-M	1200#	O2 H2 - CH4 Aria - N2 - Ar - He
R1200 HC	220	3-30	G 3/4-F	G 3/8-F	1200#	O2 H2 - CH4 Aria - N2 - Ar - He
R1200 HD	220	5-50	G 3/4-F	G 3/8-F	1200#	O2 H2 - CH4 Aria - N2 - Ar - He
R1200 HE	220	10-100	G 3/4-F	G 3/8-F	1200#	O2 H2 - CH4 Aria - N2 - Ar - He
R1200 HF	220	20-200	G 3/4-F	G 3/8-F	1200#	O2 H2 - CH4 Aria - N2 - Ar - He

MEDIUM	POSSIBILITA' ATTACCHI BOMBOLA UNI/POSSIBILITY BOTTLE UNI CONNECTION
C2H2	Staffa bombola / Bracket bottle Rampa / Manifold Codolo bombola / Bottle connection
	7S-UNI 11144 1H-UNI 11144 * 7F-UNI 11144
CO2	Bombola_Rampa / Bottle_Manifold
	2-UNI 11144 **
N2O	Bombola / Bottle Rampa / Manifold
	9-UNI 11144 2-UNI 11144 **
O2	Bombola_Rampa / Bottle_Manifold
	2-UNI 11144 **
Aria	Bombola / Bottle Rampa / Manifold
	6-UNI 11144 2-UNI 11144 **
N2	Bombola / Bottle Rampa / Manifold
	5-UNI 11144 2-UNI 11144 **
Ar - He	Bombola / Bottle Rampa / Manifold
	8-UNI 11144 2-UNI 11144 **
H2 - CH4	Bombola_Rampa / Bottle_Manifold
	1H-UNI 11144

\* Necessario connettore rampa\_riduttore P29107 / \*Connector manifold\_pressure regulator required P29107

\*\* Necessario connettore rampa\_riduttore P29128 / \*\*Connector manifold\_pressure regulator required P29128

### ATTACCHI DIVERSI DA STANDARD / CONNECTION DIFFERENT FROM STANDARD

Attacchi in/out diversi da standard (G 3/8-F, nipples esterni G 1/2-F - 1/2"NPT-F - 1/2"NPT-M - 3/4"NPT-F - 3/4"NPT-M) /  
Connections different from standard (G 3/8-F, external nipples G 1/2-F - 1/2"NPT-F - 1/2"NPT-M - 3/4"NPT-F - 3/4"NPT-M)

Attacchi bombola da standard UNI / Bottle connection from standard UNI

Attacchi bombola diversi da standard UNI / Bottle connection different from Italian standard UNI (DIN 477, CGA, NFE 29-650, BS 341 e UNE ITC MIE)

Connettore rampa\_riduttore P29128 destro / Connector manifold\_pressure regulator P29107 right

Connettore rampa\_riduttore P29107 sinistro / Connector manifold\_pressure regulator P29107 left

### ESECUZIONI DIVERSE DA STANDARD / EXECUTIONS DIFFERENT FROM STANDARD

Pressione ingresso 250 bar / Inlet pressure 250 bar

Pressione ingresso 300-400 bar / Inlet pressure 300-400 bar

Pressione uscita pretrata / Pre-set outlet pressure

Pressione uscita tarata fissa, vite con dado cieco / Fixed outlet pressure, screw with cap nut

Flusso inverso: entrata a destra - uscita a sinistra / Reverse flow: right inlet - left outlet

O-ring secondo FDA / O-ring according to FDA

O-ring FPM / O-ring FPM

O-ring speciali / Special O-ring

Convogliamento su campana e Valvola di sovrappressione / Venting on bonnet and over pressure Valve

Versione idonea per liquidi / Execution for liquid

Versione regolatore pilotato / Dome loaded version

Cromatura-nichelatura / Chrome-Nichel plating

Stampigliatura su specifica del cliente / Not standard branding

Versione ATEX / ATEX version

Temperature diverse da standard / Special temperature range

Versione Relieving / Relieving version

PU 0,8-8bar/ 1,5-15bar

PU 3-30bar/5-50bar

PU 10-100bar

PU 20-200bar

Sgrassato uso O2 / Degreased for O2

### ACCESSORI / ACCESSORIES

Ghiera ODU80301 / Ring nut ODU80301

Kit staffa + ghiera M1B101 / Kit bracket and Ring nut M1B101

## generating the product code

REGOLATORE R1200			
AA BB CC DD E FF			
AA	Attacchi / Connections	00	Vedi tipo fluido, tabella DD
		02	G 3/4-F Girevole
BB	Pressione ingresso / Inlet pressure	B0	PS 15 bar L
		J0	PS 220 bar H
		L0	PS 80 bar M
CC	Intervallo uscita / Outlet range	A0	AQ - Pout 0,2 - 1,5 bar
		E0	BQ - Pout 1,5 - 15 bar
		F0	CQ - Pout 3 - 30 bar
		G0	DQ - Pout 5 - 50 bar
		V0	FQ - Pout 20 - 200 bar
		X0	EQ - Pout 10 - 100 bar
DD	Tipologia di fluido / Fluid type	15	O2 PED CLASSE III
		98	EPDM
		99	FPM
		U1	1H - UNI 11144 PED CLASSE III
		U5	5 - UNI 11144
		U6	6 - UNI 11144
E	Marchiato / Marked	I	ID
		Z	Dir ATEX 94/9 CE
FF	Accessori / Accessories	00	Nessun accessorio
		05	Preparato
		11	Convogliata

## CODE COMPOSITION EXAMPLE

**1200# 02 J0 E0 98 I 00**

**1200#:** Regulator R1200 in brass

**02:** Nose nipple and G3/4-F nut

**J0:** Maximum inlet pressure 220 bar

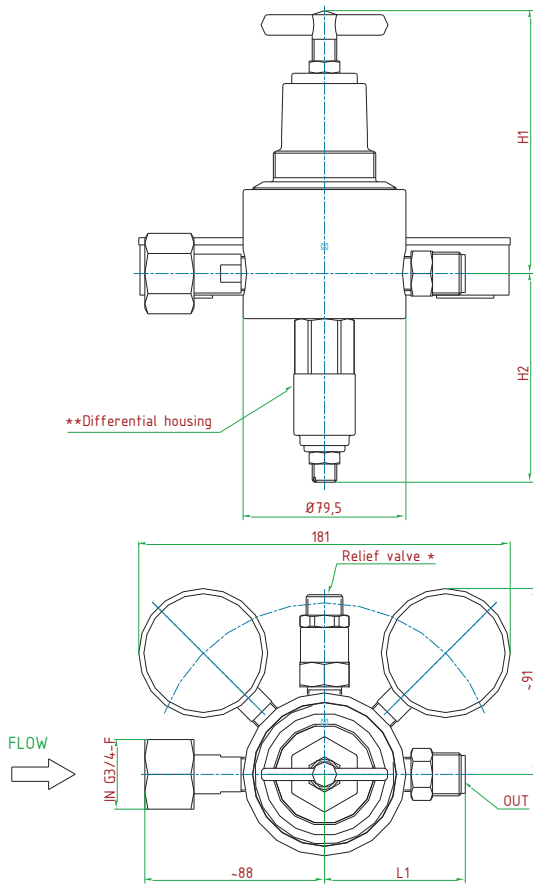
**E0:** Outlet pressure range 1,5-15 bar

**98:** EPDM gaskets

**I**

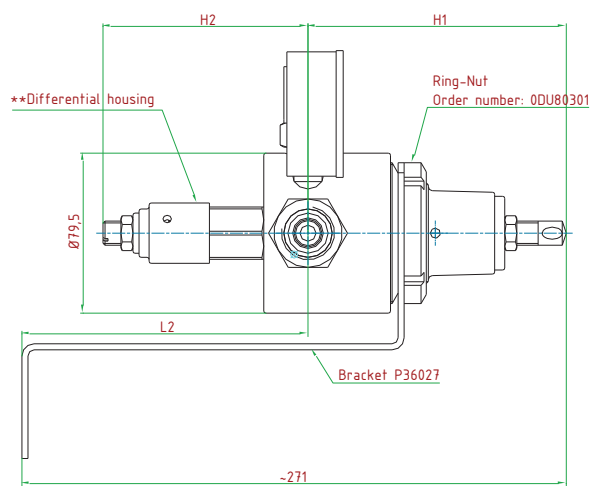
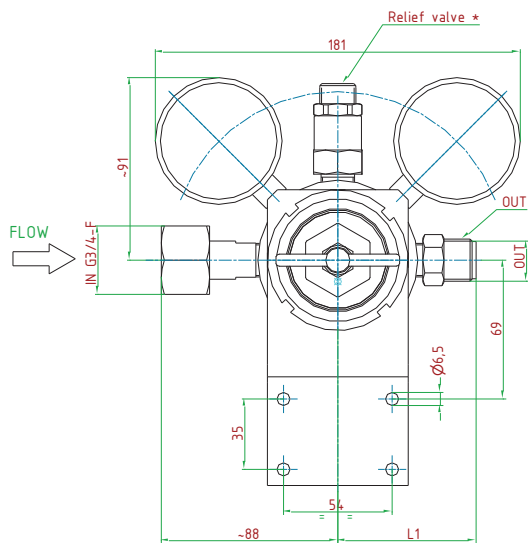
**00:** No accessories

# technical drawings (all dimensions in mm)



- \* No Relief valve for type piston 200 bar
- \*\* No Differential housing for type piston 200 bar

TYPE	OUT	L1	-H1	-H2
Diaphragm	G 1/2-M	69	129	102
Piston 30/50 bar	G 3/8-F	Thread in the body without connection	131	102
Piston 200 bar	G 3/8-F	Thread in the body without connection	149	35



TYPE	OUT	L1	-H1	-H2	L2
Diaphragm	G 1/2-M	69	129	102	142
Piston 30/50 bar	G 3/8-F	Thread in the body without connection	131	102	140
Piston 200 bar	G 3/8-F	Thread in the body without connection	149	35	122

- Order number bracket and ring-nut: M1B101
- \* No Relief valve for type piston 200 bar
- \*\* No Differential housing for type piston 200 bar