

R2010

Chrome-plated brass pressure regulator
suitable for laboratory use



FEATURES

Pressure regulator for inlet pressure up to 20 bar (290 psi).

Inlet connection suitable for ID Insert Deal "Presa Universale", outlet connection G1/4" F port in the body.

Different connections available on request.

Suitable for laboratory applications because the pressure regulation is attained by a stainless steel diaphragm.

The product complies with the 97/23/CE PED directive.

Chrome-plated regulator body.

Outlet pressure gauge accuracy class 1,6.

SPECIFICATIONS

Weight: 900 g (~2 lb)

Operating temperature: -20 °C ÷ +60 °C (-4 °F ÷ +140 °F) for standard version

Main valve leakage classification: VI (bubble tight)

Flow coefficient: $K_v = 0.04 \text{ Nm}^3/\text{h}$ $C_v = 0.05 \text{ US gal/min}$

Degree of protection: IP25

Outlet pressure gauge port: G ¼

MATERIALS

Body and bonnet: brass

Internal parts: brass

Adjusting knob: ABS

Main valve spring: stainless steel AISI 304

Adjusting spring: C85 (not in contact with the fluid)

Diaphragm: stainless steel AISI 316L

O-Ring: FPM or EPDM, depending on the fluid (other compounds available on request)

Main valve gasket: FPM or EPDM, depending on the fluid (other compounds available on request)

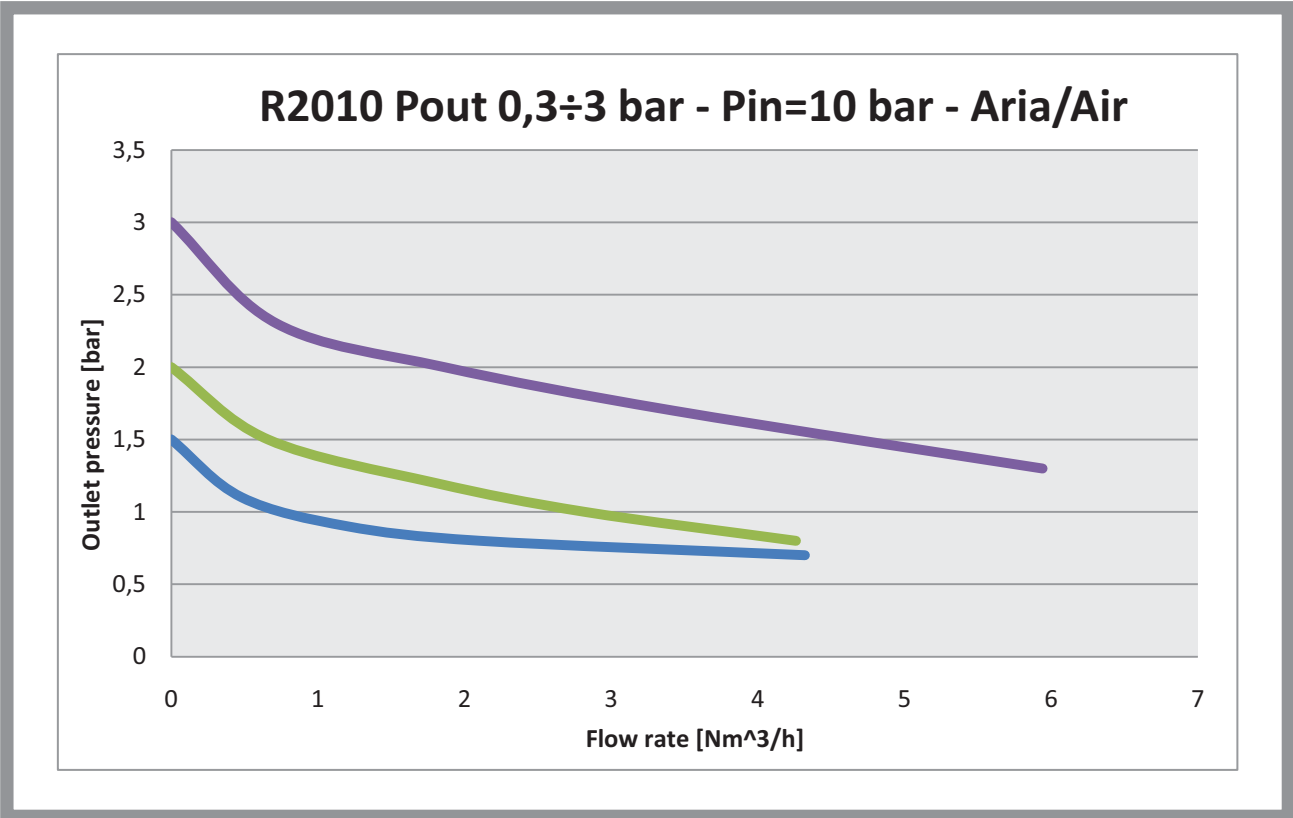
OPTIONAL

“Presa universale”, chrome plated brass and stainless steel panel

SPARE PARTS

Complete kit: assembled diaphragm, filter, main valve, o-rings, gauges

flow charts



available model types

Regolatori di pressione per media pressione Pressure regulators for medium pressure

Regolatori di pressione per media pressione (PS max 20 bar)

In ottone cromato, idonei per uso in laboratorio

Pressure regulators for medium pressure (PS max 20 bar)

made of chromed brass, for laboratory application

Corpo e campana da lavorazione di barra / Body by machining bar

Attacco entrata per presa universale / Inlet connection for wall unit

TYPE	PS bar	P.Out bar	CONNECTION OUT	CODE	MEDIUM
					R2010
R2010 A	20	0,2-1,5	G 1/4-F	2010#01	O2 Aria - N2 - He - Ar - H2 - C3H8 - CH4 - CO2 - N2O
R2010 B	20	0,3-3	G 1/4-F	2010#01	O2 Aria - N2 - He - Ar - H2 - C3H8 - CH4 - CO2 - N2O
R2010 C	20	0,8-8	G 1/4-F	2010#01	O2 Aria - N2 - He - Ar - H2 - C3H8 - CH4 - CO2 - N2O
R2010 E	20	1,5-15	G 1/4-F	2010#01	O2 Aria - N2 - He - Ar - H2 - C3H8 - CH4 - CO2 - N2O

ATTACCHI DIVERSI DA STANDARD / CONNECTION DIFFERENT FROM STANDARD

Attacchi in/out diversi da standard (G 1/4-F nel corpo) / Connections different from standard (G 1/4-F in body)

ACCESSORI / ACCESSORIES

Presa in ottone cromato con copertura inox 304

Con piastra di fissaggio a muro, attacco entrata tipo Gyrolock

Unit of chrome plated brass, cover of stainless steel 304

Plate for wall mounting, inlet connection for metallic tube

DESCRIPTION	TYPE	CODE	MEDIUM
			VA
Presa in ottone cromato Unit of chrome/plated brass	Gyrolok per tubo Ø 10 mm Inlet connection for metallic tube Ø 10 mm	VA#101	Aria - N2 - He - Ar - H2 - C3H8 - CH4 - CO2 - N2O
Presa in ottone cromato Unit of chrome/plated brass	Gyrolok per tubo Ø 6 mm Inlet connection for metallic tube Ø 6 mm	VA#102	Aria - N2 - He - Ar - H2 - C3H8 - CH4 - CO2 - N2O

ESECUZIONI DIVERSE DA STANDARD / EXECUTIONS DIFFERENT FROM STANDARD

Esecuzione speciale / Special execution

generating the product code

REGOLATORE R2010 IN OTTONE			
AA BB CC DD E FF			
AA	Attacchi / Connections	01	IN attacco presa universale - OUT G 1/4-F
BB	Pressione ingresso / Inlet pressure	C0	PS 20 bar
CC	Intervallo uscita / Outlet range	A0	MOD A Pout 0,2 - 1,5 bar
		B0	MOD B Pout 0,3 - 3 bar
		D0	MOD C Pout 0,8 - 8 bar
		E0	MOD D Pout 1,5 - 15 bar
DD	Tipologia di fluido / Fluid type	15	O2
		98	EPDM
		99	FPM
E	Marchiato / Marked	I	ID
FF	Accessori / Accessories	00	Nessun accessorio

CODE COMPOSITION EXAMPLE

2010#01 C0 D0 15 I 00

2010#: brass regulator R2010

01: "presa universale" inlet connection – outlet connection G ¼-F

C0: maximum inlet pressure 20 bar

D0: outlet pressure range 0,8-8 bar

15: oxygen use

I

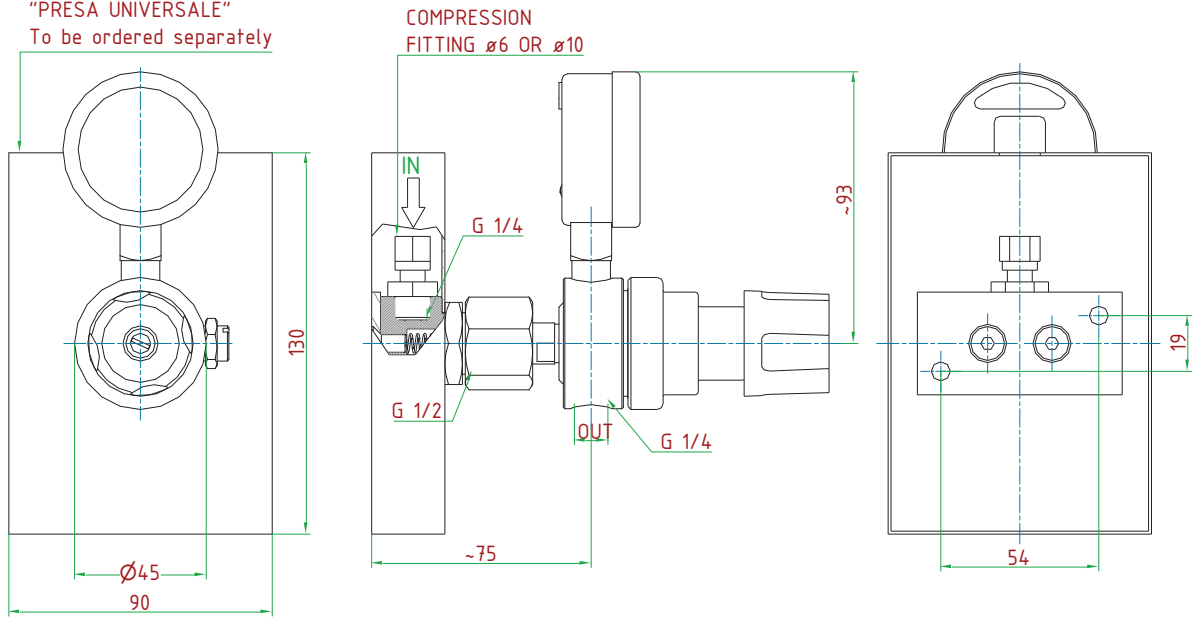
00: No optional

technical drawings (all dimensions in mm)

STANDARD VERSION

CONNECTION: inlet "PRESA UNIVERSALE" - outlet G 1/4-F

"PRESA UNIVERSALE"
To be ordered separately



SPECIAL VERSIONS

For Bracket and Ring-Nut order special version

CONNECTION: E. 1/4" GF POSTERIORE, U. 1/4" GF LINEARI

CONNECTION: Entr.-usc. 1/4" GF IN LINEA

