

R300

Brass high pressure regulator,
for compressed air, gas and liquids



FEATURES

Pressure regulator for inlet pressure up to 220 bar (3190 psi) in the standard version, higher pressure for special versions.


Ideal for industrial applications where high flow rates are required.

Inlet and outlet connections G3/4-M, other connections available on request.

Outlet pressure, up to 15 bar (218 psi), is controlled by a diaphragm; greater outlet pressure are controlled by a piston.

Balanced main valve for a constant outlet pressure when varying the upstream pressure.

Gauges for inlet and outlet pressure.

Available the ATEX version
brand **CE**  II 2GDc IICX.

For use in potentially explosive atmospheres zones: 1, 21, 2, 22 (not applicable in mines and zone 0).

The product complies with the directive 97/23/CE PED.

SPECIFICATIONS

Gauges: accuracy class 1,6

Diaphragm version weight: ~9 Kg (~20 lb)

Piston version weight: ~10 Kg (~22 lb)

Working temperature: -20°C ÷ +60°C (-4°F ÷ 140°F) for standard version

Main valve leakage classification: VI (bubble tight)

Flow coefficient: Kv= 1,5 Nm³/h

Degree of protection: IP25

MATERIALS

Body and bonnet: brass

Internal parts: brass

Main valve spring: C85 (not in contact with the fluid)

Adjusting spring: C85 (not in contact with the fluid)

Diaphragm for inlet pressure up to 15 bar(218 psi): double NBR+PTFE, PTFE in contact with the fluid

Piston (for greater inlet pressure): brass

O-rings: EPDM or FPM depending on the fluid (other compounds available on request)

Main valve seat: PA 6.6

ACCESSORIES

Kit bracket and screws M1B303

Available pilot operated version, pressure setpoint to be controlled by a pilot regulator.

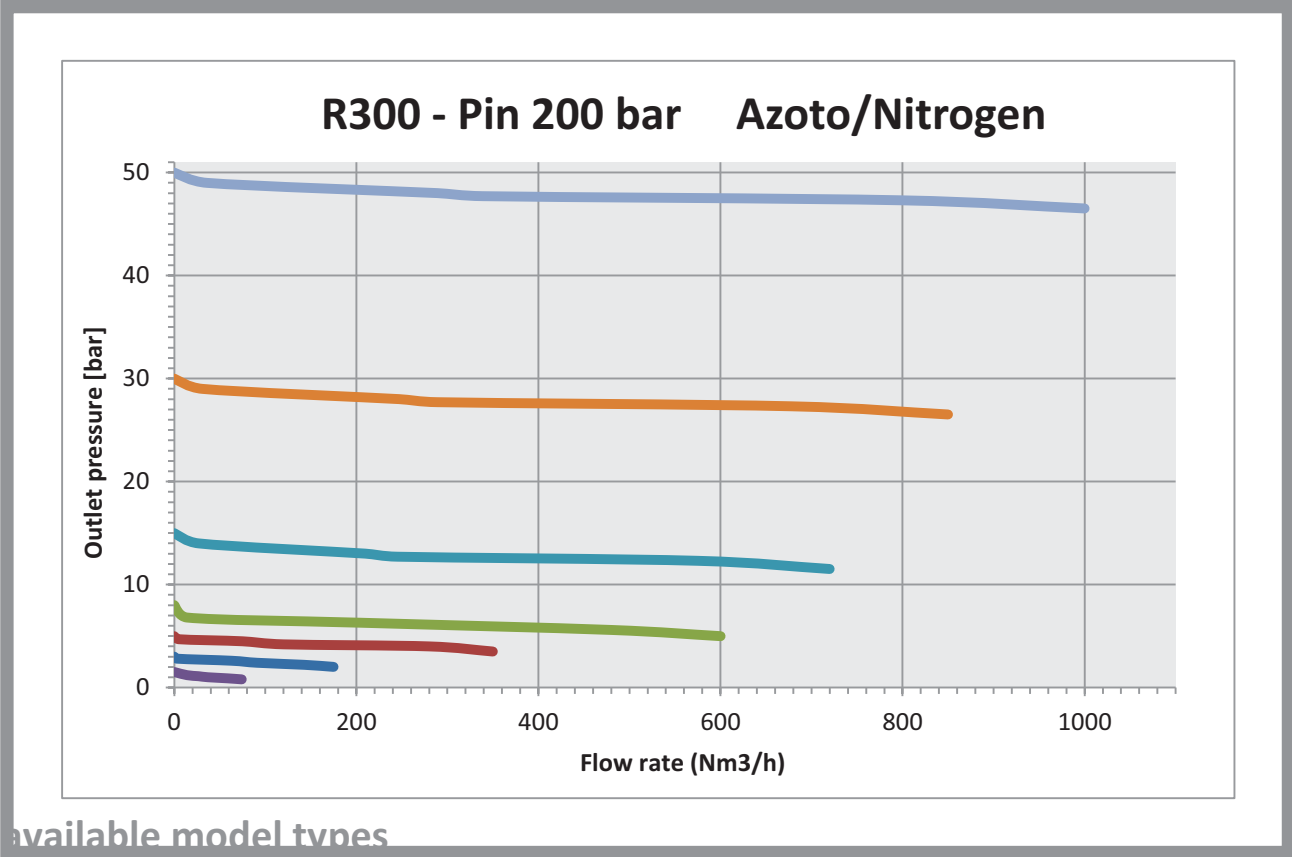
SPARE PARTS

Gauges

Overpressure valve

Complete kit: assembled diaphragm, inlet filter, main valve, O-rings

graphs and curves



available model types

Regolatori di pressione per alta pressione / High pressure regulators

Regolatori di pressione per alta pressione

in ottone, idonei per aria compressa e gas tecnici non corrosivi e liquidi

Pressure regulators for high pressure,

made of brass, for compressed air and technical, non corrosive gases and liquids

Corpo da lavorazione di barra tonda, attacco entrata G 3/4-M

Body by machining round bar, inlet connection G 3/4-M

TYPE	PS bar	P.Out bar	CONNECTION IN	CONNECTION OUT	CODE	MEDIUM
						R300
R300 MA	80	0,8-8	G 3/4-M	G 3/4-M	300#	CO2
R300 MB	80	1,5-15	G 3/4-M	G 3/4-M	300#	CO2
R300 MC	80	3-30	G 3/4-M	G 3/4-M	300#	CO2
R300 MD	80	5-50	G 3/4-M	G 3/4-M	300#	CO2
R300 HA	220	0,8-8	G 3/4-M	G 3/4-M	300#	O2
						H2 - CH4
						Aria - N2 - Ar - He
R300 HB	220	1,5-15	G 3/4-M	G 3/4-M	300#	O2
						H2 - CH4
						Aria - N2 - Ar - He
R300 HC	220	3-30	G 3/4-M	G 3/4-M	300#	O2
						H2 - CH4
						Aria - N2 - Ar - He
R300 HD	220	5-50	G 3/4-M	G 3/4-M	300#	O2
						H2 - CH4
						Aria - N2 - Ar - He
R300 HE	220	10-100	G 3/4-M	G 3/4-M	300#	O2
						H2 - CH4
						Aria - N2 - Ar - He

ATTACCHI DIVERSI DA STANDARD / CONNECTION DIFFERENT FROM STANDARD

Attacchi in/out diversi da standard (nipples esterni G 3/4-F - 3/4"NPT-F - 3/4"NPT-M) / Connections different from standard (external nipples G 3/4-F - 3/4"NPT-F - 3/4"NPT-M)

ESECUZIONI DIVERSE DA STANDARD / EXECUTIONS DIFFERENT FROM STANDARD

Pressione ingresso 250-300 bar / Inlet pressure 250-300 bar

Pressione ingresso 350-400 bar / Inlet pressure 350-400 bar

Pressione uscita pretarata / Pre-set outlet pressure

Pressione uscita tarata fissa, vite con dado cieco / Fixed outlet pressure, screw with cap nut

O-ring secondo FDA / O-ring according to FDA

O-ring FPM / O-ring FPM

O-ring speciali / Special O-ring

Convogliamento su campana e Valvola di sovrappressione / Venting on bonnet and over pressure Valve

Versione idonea per liquidi / Execution for liquid

Versione regolatore pilotato / Dome loaded version

Cromatura-nichelatura / Chrome-Nichel plating

Stampigliatura su specifica del cliente / Not standard branding

Versione ATEX / ATEX version

Temperature diverse da standard / Special temperature range

Sgrassato uso O2 / Degreased for O2

ACCESSORI / ACCESSORIES

Kit staffa + viti M1B303 / Bracket with screws M1B303

generating the product code

R300 Ottone			
AA BB CC DD E F GG			
AA	Attacchi / Connections	03	3/4" NPT-F
		05	G 3/4-F
		Q0	G 3/4-M
		X0	3/4" NPT-M
BB	Pressione ingresso / Inlet pressure	J0	220 bar H
		L0	80 bar M
CC	Intervallo uscita / Outlet range	D0	A - Pout 0,8 - 8 bar
		E0	B - Pout 1,5 - 15 bar
		F0	C - Pout 3 - 30 bar
		G0	D Pout 5 - 50 bar
		X0	E - Pout 10 - 100 bar
DD	Tipologia di fluido / Fluid type	11	H2 Idrogeno PED Classe III
		15	O2 PED CLASSE III
		94	FPM PED CLASSE III
		98	EPDM
		99	FPM
E	Pilotato / Pilot operated	N	Non Pilotato
		P	Pilotato
F	Marchiato / Marked	I	ID
		Z	Dir ATEX 94/9 CE
GG	Accessori / Accessories	00	Nessun accessorio
		11	Convogliata

CODE COMPOSITION EXAMPLE

300# Q0 J0 E0 98 N I 00

300#: Regulator R300 brass

Q0: Connection G 3/4-M

J0: Maximum inlet pressure 220 bar

E0: Outlet pressure range 1,5-15 bar

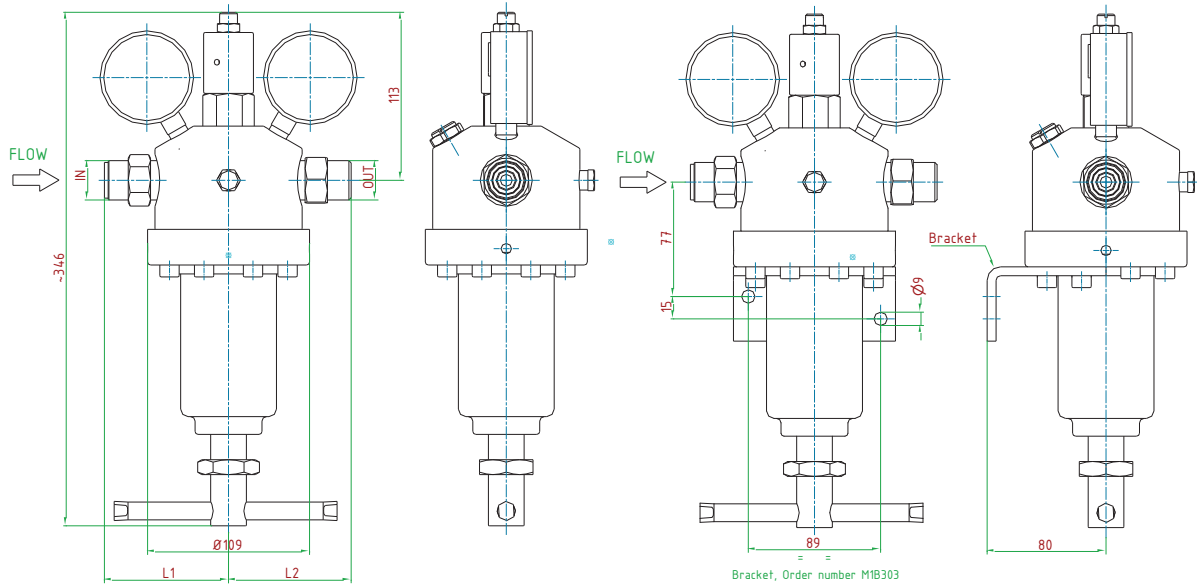
98: EPDM gaskets

N: Not pilot operated

I

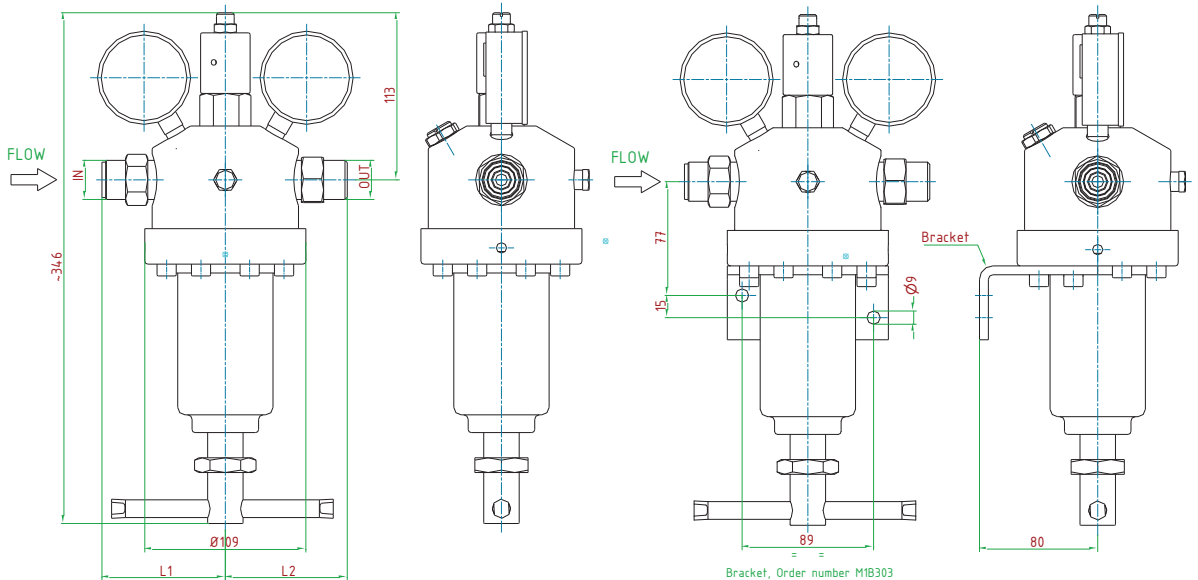
00: No accessories

technical drawings (all dimensions in mm)



VERSIONE A MEMBRANA
DIAPHRAGM VERSION

Tabella					
IN/OUT	(43) RACCORDO ENTRATA	(44) RACCORDO USCITA	L1	L2	
3/4" GAS M	P29003	P29004	83.5	82.5	
3/4" GAS F	P29093	P29094	99.5	79.5	
3/4" NPT M	P29020	P29029	90.5	88.5	
3/4" NPT F	P29081	P29082	99.5	79.5	
1" GAS F	P29118	P29119	102.5	82.5	
1" NPT F	P29164	P29163	99.5	99.5	



VERSIONE A MEMBRANA
PISTON VERSION

IN/OUT	(43) RACCORDO ENTRATA	(44) RACCORDO USCITA	L1	L2	
3/4" GAS M	P29003	P29004	83.5	82.5	
3/4" GAS F	P29093	P29094	99.5	79.5	
3/4" NPT M	P29020	P29029	90.5	88.5	
3/4" NPT F	P29081	P29082	99.5	79.5	
1" GAS F	P29118	P29119	102.5	82.5	
1" NPT F	P29164	P29163	99.5	99.5	