

# R32010

Stainless steel AISI 316L pressure regulator for laboratory use



## FEATURES

Pressure regulator for inlet pressure up to 20 bar (290 psi).

Inlet connection suitable for ID Insert Deal "Presa Universale", outlet connection G $\frac{1}{4}$ -F port in the body.

Different connections available on request.

Suitable for laboratory applications because the pressure regulation is attained by a stainless steel diaphragm.

The product complies with the 97/23/CE PED directive.

Gauge for outlet pressure (accuracy class 1.6)

## **SPECIFICATIONS**

Weight: ~900 g (~2 lb)

Operating temperature: -20°C ÷ +60°C (-4 °F ÷ +140 °F) for standard version

Main valve leakage classification: VI (bubble tight)

Flow coefficient: Kv= 0.04 Nm<sup>3</sup>/h - Cv = 0.05 US gal/min

Degree of protection: IP25

Outlet pressure gauge port: G ¼

## **MATERIALS**

Body and bonnet: stainless steel AISI 316L

Internal parts: stainless steel AISI 316L

Adjusting knob: ABS

Main valve spring: stainless steel AISI 304

Adjusting spring: stainless steel AISI 302 (not in contact with the fluid)

Diaphragm: stainless steel AISI 316L

O-Ring: FPM/EPDM depending on the fluid (different compounds available on request)

Main valve gasket: FPM/EPDM depending on the fluid (different compounds available on request)

## **ACCESSORIES**

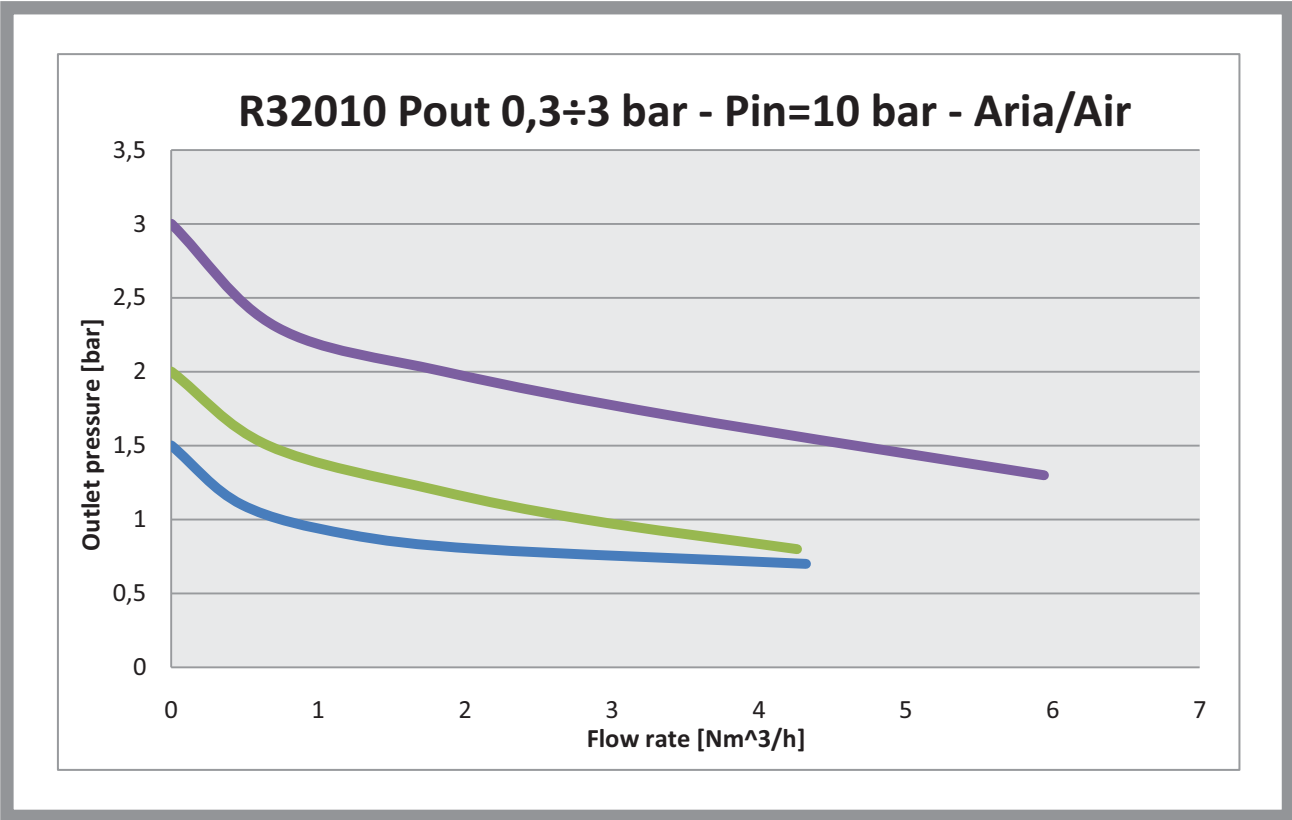
Stainless steel AISI 316L "Presà universale" with AISI 304 panel

## **SPARE PARTS**

Gauge

Complete kit: assembled diaphragm, wire filter, main valve, o-rings

flow charts



## available model types

### Regolatori di pressione per media pressione

### Pressure regulators for medium pressure

Regolatori di pressione per media pressione (PS max 20 bar)

In acciaio inox 316 L, idonei per uso in laboratorio

Pressure regulators for medium pressure (PS max 20 bar)

made of stainless steel 316 L, for laboratory application

Corpo e campana da lavorazione di barra / Body by machining bar

Attacco entrata per presa universale / Inlet connection for wall unit

TYPE	PS bar	P.Out bar	CONNECTION OUT	CODE	MEDIUM
					<b>R32010</b>
R32010 A	20	0,2-1,5	G 1/4-F	32010	Aria - N2 - He - Ar - H2 - C3H8 - CH4 - CO2 - N2O
R32010 B	20	0,3-3	G 1/4-F	32010	Aria - N2 - He - Ar - H2 - C3H8 - CH4 - CO2 - N2O
R32010 C	20	0,8-8	G 1/4-F	32010	Aria - N2 - He - Ar - H2 - C3H8 - CH4 - CO2 - N2O
R32010 E	20	1,5-15	G 1/4-F	32010	Aria - N2 - He - Ar - H2 - C3H8 - CH4 - CO2 - N2O

#### ACCESSORI / ACCESSORIES

Presa in acciaio inox 316 L con copertura inox 304

Con piastra di fissaggio a muro, attacco entrata tipo Gyrolock

Unit of stainless steel, cover of stainless steel 304

Plate for wall mounting, inlet connection for metallic tube

DESCRIPTION	TYPE	CODE	MEDIUM
			<b>VA</b>
Presa in acciaio Unit of stainless steel	Gyrolok per tubo Ø 10 mm Inlet connection for metallic tube Ø 10 mm	VA#301	Aria - N2 - He - Ar - H2 - C3H8 - CH4 - CO2 - N2O
Presa in acciaio Unit of stainless steel	Gyrolok per tubo Ø 6 mm Inlet connection for metallic tube Ø 6 mm	VA#302	Aria - N2 - He - Ar - H2 - C3H8 - CH4 - CO2 - N2O

#### ESECUZIONI DIVERSE DA STANDARD / EXECUTIONS DIFFERENT FROM STANDARD

Esecuzione speciale / Special execution

## generating the product code

REGOLATORE R32010 IN inox			
AA BB CC DD E FF			
AA	Attacchi / Connections	01	IN attacco presa universale - OUT G 1/4-F
BB	Pressione ingresso / Inlet pressure	C0	PS 20 bar
CC	Intervallo uscita / Outlet range	A0	MOD A Pout 0,2 - 1,5 bar
		B0	MOD B Pout 0,3 - 3 bar
		D0	MOD C Pout 0,8 - 8 bar
		E0	MOD D Pout 1,5 - 15 bar
DD	Tipologia di fluido / Fluid type	98	EPDM
		99	FPM
E	Marchiato / Marked	I	ID
FF	Accessori / Accessories	00	Nessun accessorio

### CODE COMPOSITION EXAMPLE

**32010#01 C0 D0 98 I 00**

**32010#:** AISI 316 regulator R32010

**01:** "Presa Universale" inlet connection - G ¼-F outlet connection

**C0:** maximum inlet pressure 20 bar

**D0:** outlet pressure range 0,8-8 bar

**98:** EPDM gaskets

**I**

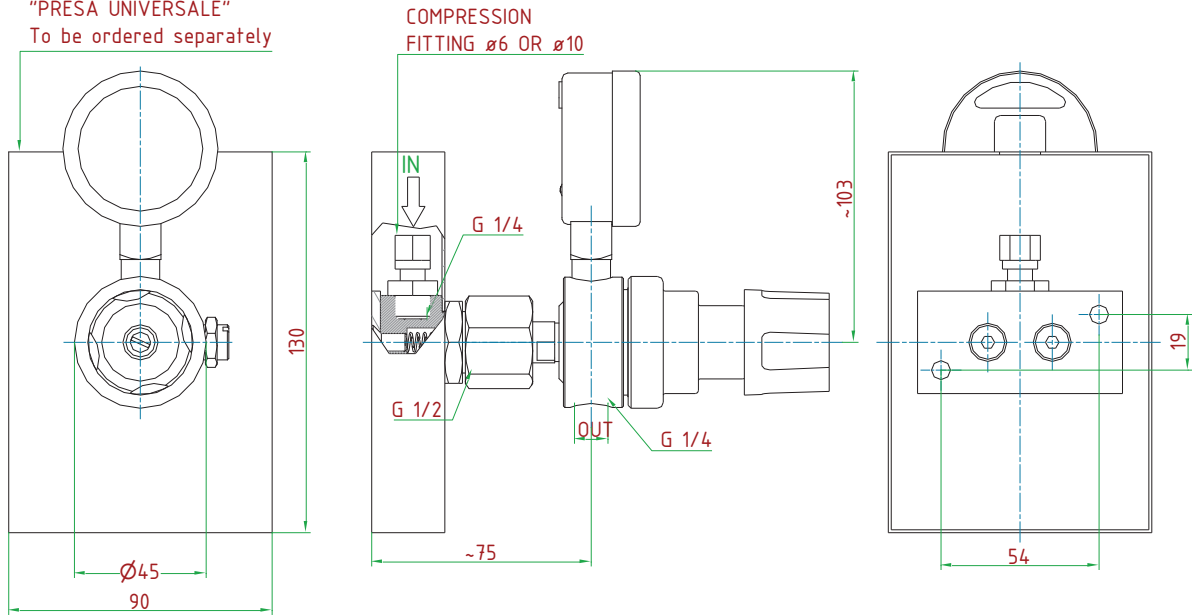
**00:** No accessories

# technical drawings (all dimensions in mm)

## STANDARD VERSION

CONNECTION: inlet "PRESA UNIVERSALE" - outlet G1/4-F

"PRESA UNIVERSALE"  
To be ordered separately



## SPECIAL VERSIONS

For Bracket and Ring-Nut order special version

CONNECTION: E. 1/4" GF POSTERIORE, U. 1/4" GF LINEARI

CONNECTION: Entr.-usc. 1/4" GF IN LINEA

