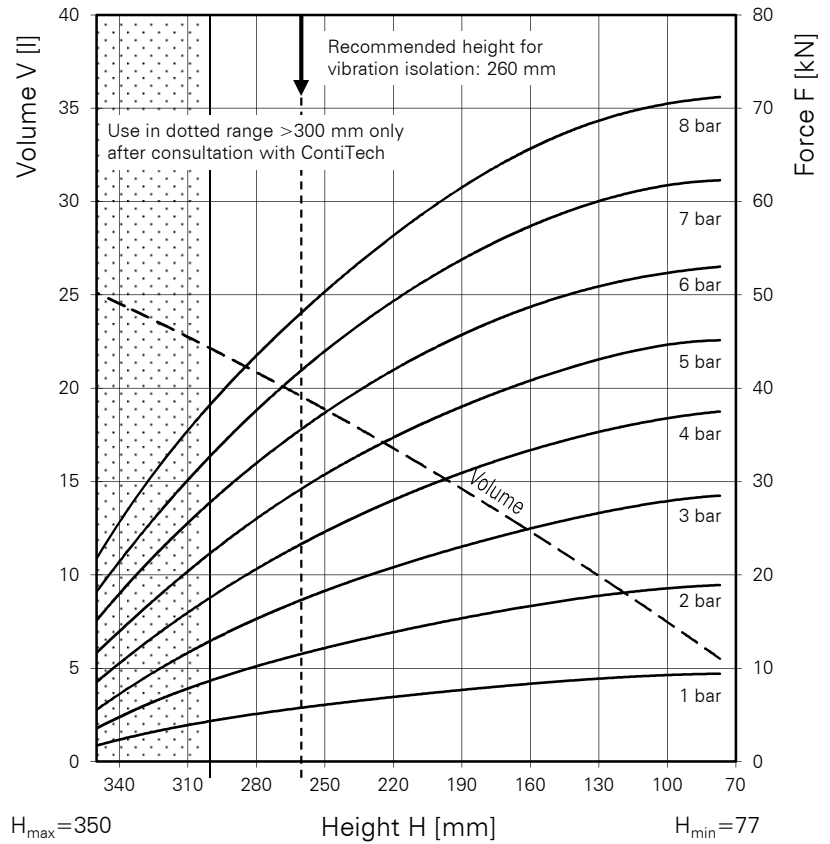
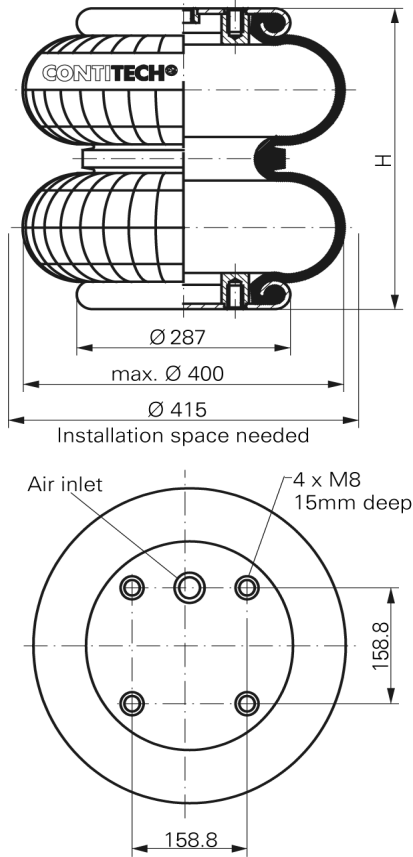


FD 530-30 CI

Double Convolution Air Spring



Purchase order data

Type	Order No.
Rubber bellows only	60494
With clamped plates G 1 air inlet 79.4 mm excentrical	60434
With clamped plates G 1/4 air inlet 79.4 mm excentrical	61364
With stainless steel plates, G 3/4 air inlet 79.4 mm excentrical	68331

Additional types on request



Service instructions
 M 8 = 25 Nm
 G 1/4 = 25 Nm
 G 3/4 = 50 Nm
 G 1 = 50 Nm

Technical data

Min. pressure	0 bar
Return force to min. height	≤ 400 N
Overall weight with clamped plates	7.3 kg

Vibration isolation - dynamic characteristic values

Design height H: recommended 260mm, minimum 245mm

Pressure p [bar]	3	4	5	6	7	8	Vol V [l]
Force (Load) [kN]	17.3	23.4	29.3	35.9	42.3	48.2	
Spring rate [N/cm]	1880	2350	2875	3390	3850	4450	
Natural frequency [Hz]	1.6	1.6	1.6	1.5	1.5	1.5	

Pneumatic application - static characteristic values

Force F [kN]

Pressure p [bar]	3	4	5	6	7	8	Vol.[l]	
Height H [mm]	300	13.0	17.7	22.2	27.7	32.8	38.4	22.0
	260	17.3	23.4	29.3	35.9	42.3	48.2	19.6
	220	20.9	28.0	34.8	42.0	49.3	56.4	17.0
	180	23.7	31.9	39.0	46.9	55.1	63.2	14.0
	140	26.1	34.6	42.3	50.2	59.3	67.8	10.6
	100	27.9	36.8	44.7	52.4	61.7	70.5	7.4

Measuring procedure: Room temperature / Force- height- data quasistatic / Dynamic data at 1 Hz