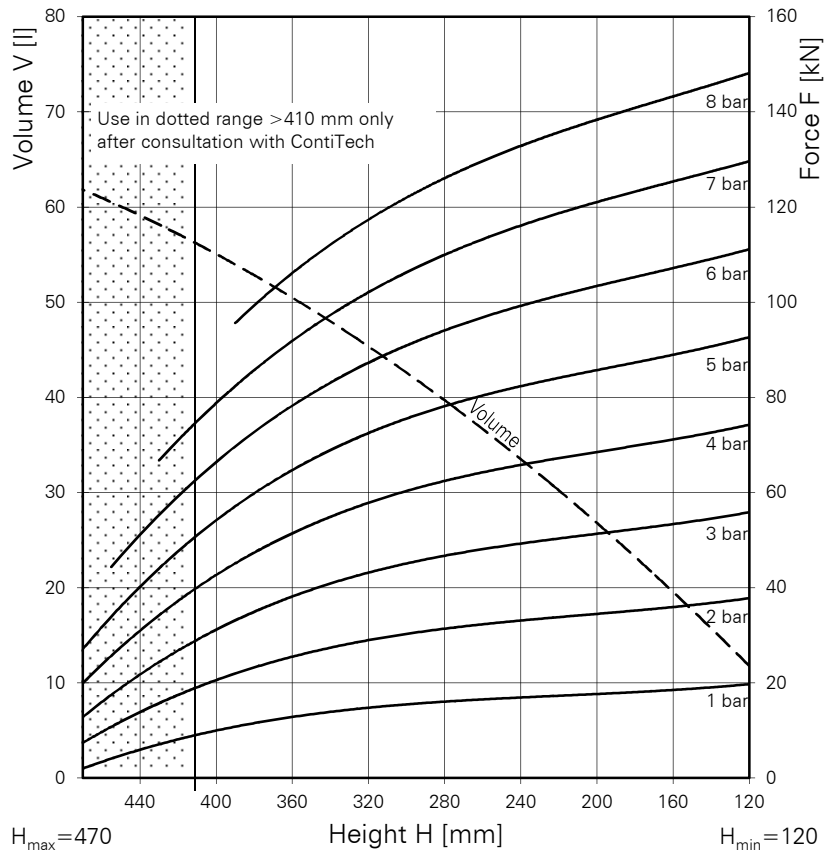
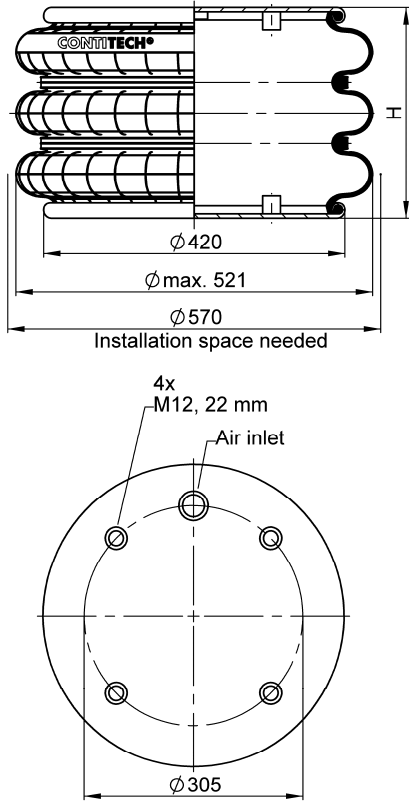


# FT 1330-35 CI

# Triple Convolution Air Spring



### Purchase order data

Type	Order No.
Rubber bellows only	61780
With clamped plates G 3/4 air inlet 152.5 mm eccentric	69796

### Technical data

Min. pressure	0 bar
Return force to min. height	≤ 50 N
Overall weight with clamped plates	20.9 kg

Additional types on request

### Pneumatic application - static characteristic values

Force F [kN]

Pressure p [bar]	3	4	5	6	7	8	Vol.[l]	
Height H [mm]	390	33.4	45.4	57.5	70.1	82.6	95.6	54.5
	330	41.7	56.0	70.3	85.1	99.8	114.8	46.9
	270	47.2	63.1	79.0	95.3	111.5	127.9	37.8
	190	52.2	69.6	87.0	104.6	122.1	139.6	24.4



Service instructions  
M12 = 75 Nm  
G 3/4 = 50 Nm

Measuring procedure: Room temperature / Force- height- data quasistatic / Dynamic data at 1 Hz