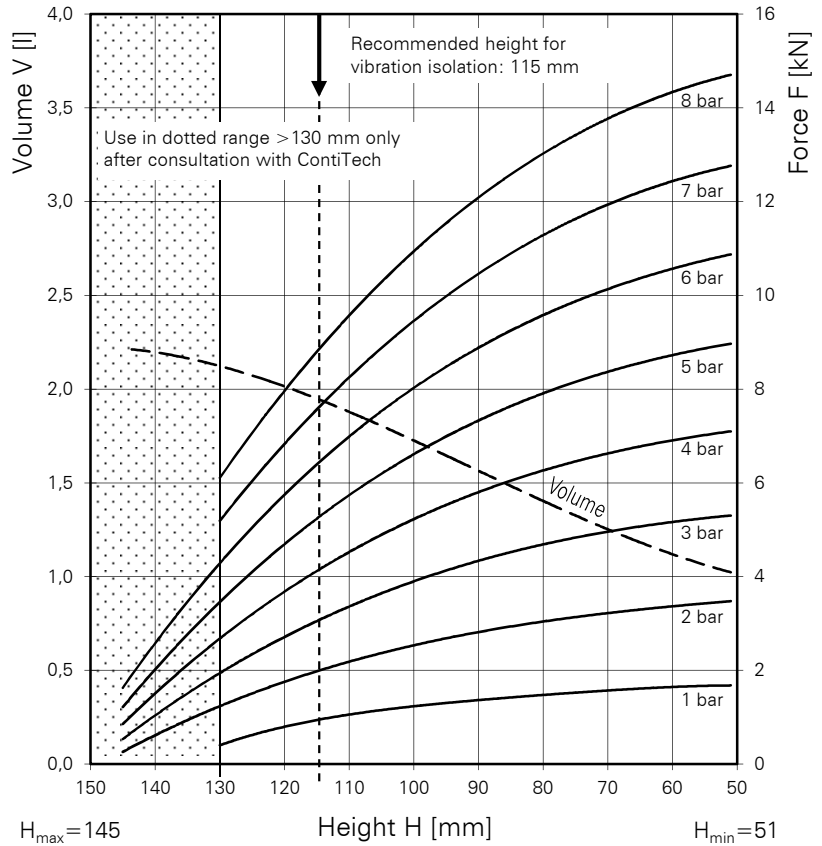
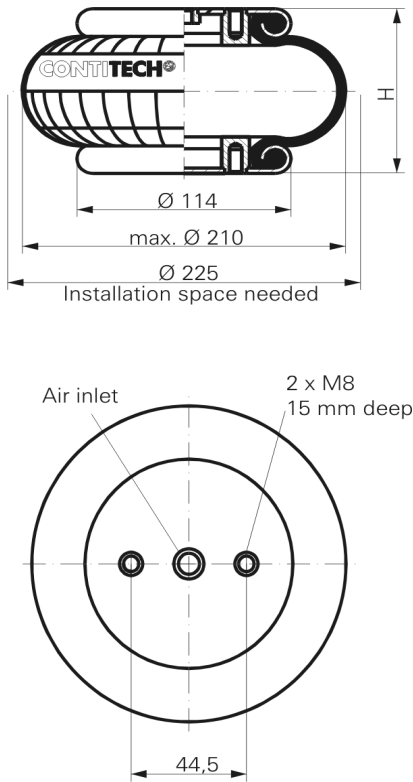


# FS 100-10 CI

# Single Convolution Air Spring



### Purchase order data

Type	Order No.
Rubber bellows only	63457
With clamped plates G 1/4 air inlet	65745

Additional types on request

### Technical data

Min. pressure	0 bar
Return force to min. height	$\leq 40$ N
Overall weight with clamped plates	1.4 kg

#### Vibration isolation - dynamic characteristic values

Design height  $H$ : recommended 115mm, minimum 100mm

Pressure $p$ [bar]	3	4	5	6	7	8	Vol $V$ [l]
Force (Load) [kN]	3.1	4.3	5.4	6.5	7.6	8.8	
Spring rate [N/cm]	987	1268	1559	1851	2136	2418	
Natural frequency [Hz]	2.8	2.7	2.7	2.7	2.6	2.6	

#### Pneumatic application - static characteristic values

Force  $F$  [kN]

Pressure $p$ [bar]	3	4	5	6	7	8	Vol. [l]	
Height $H$ [mm]	130	2.0	2.7	3.5	4.3	5.2		6.1
	110	3.4	4.5	5.7	7.0	8.3		9.6
	90	4.3	5.8	7.3	8.9	10.4		12.0
	70	5.0	6.6	8.4	10.2	12.0	13.8	



Service instructions  
M 8 = 25 Nm  
G 1/4 = 25 Nm

Measuring procedure: Room temperature / Force- height- data quasistatic / Dynamic data at 1 Hz