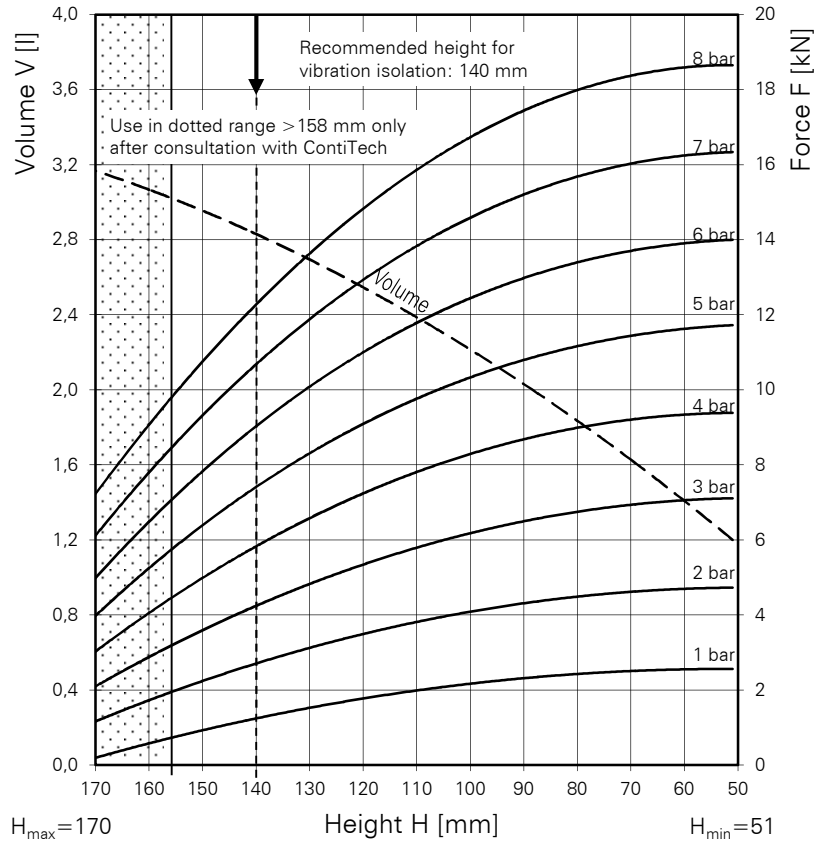
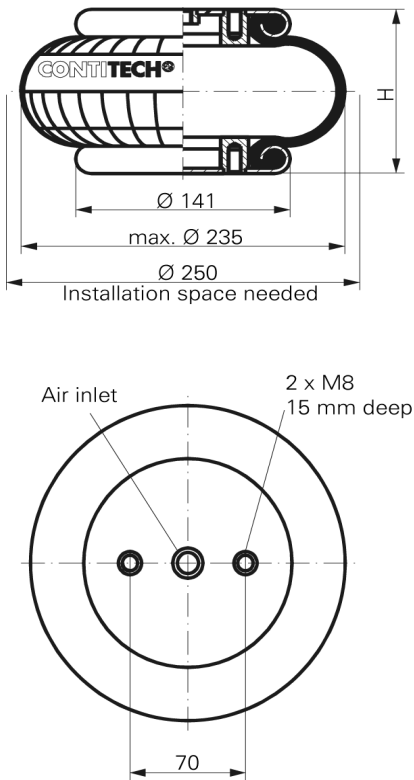


FS 120-12 CI

Single Convolution Air Spring



Purchase order data

Type	Order No.
Rubber bellows only	61874
With clamped plates G 1/4 air inlet	63260
With clamped plates G 3/4 air inlet	62447
With stainless steel clamped plates G 3/4 air inlet	on request

Additional types on request

Technical data

Min. pressure	0 bar
Return force to min. height	≤ 200 N
Overall weight with clamped plates	1.9 kg

Vibration isolation - dynamic characteristic values

Design height H : recommended 140mm, minimum 125mm

Pressure p [bar]	3	4	5	6	7	8	Vol V [l]
Force (Load) [kN]	4.2	5.8	7.3	8.9	10.4	12.0	
Spring rate [N/cm]	1160	1450	1730	2020	2300	2580	
Natural frequency [Hz]	2.6	2.5	2.4	2.4	2.4	2.3	

Pneumatic application - static characteristic values

Force F [kN]

Pressure p [bar]	3	4	5	6	7	8	Vol. [l]	
Height H [mm]	150	3.7	5.1	6.4	7.9	9.4		10.8
	130	4.9	6.6	8.3	10.1	11.9		13.7
	110	5.8	7.8	9.8	11.8	13.8		15.9
	90	6.5	8.8	10.8	13.0	15.2		17.4
	70	6.9	9.2	11.4	13.7	16.0	18.3	



Service instructions

M 8 = 25 Nm

G 1/4 = 25 Nm

G 3/4 = 50 Nm

Measuring procedure: Room temperature / Force- height- data quasistatic / Dynamic data at 1 Hz