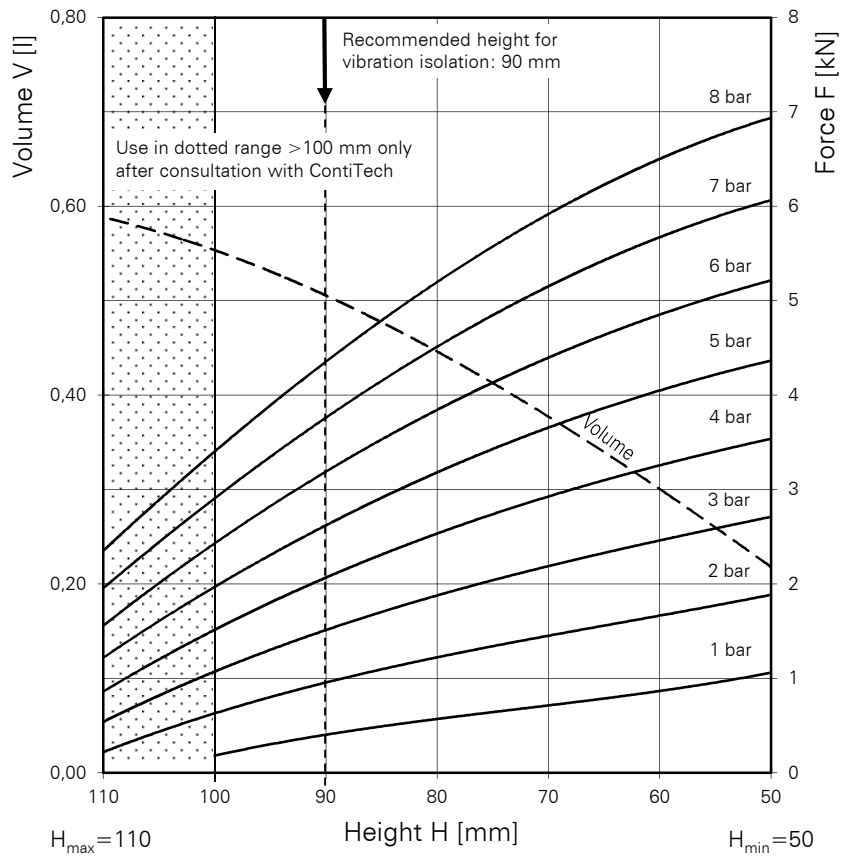
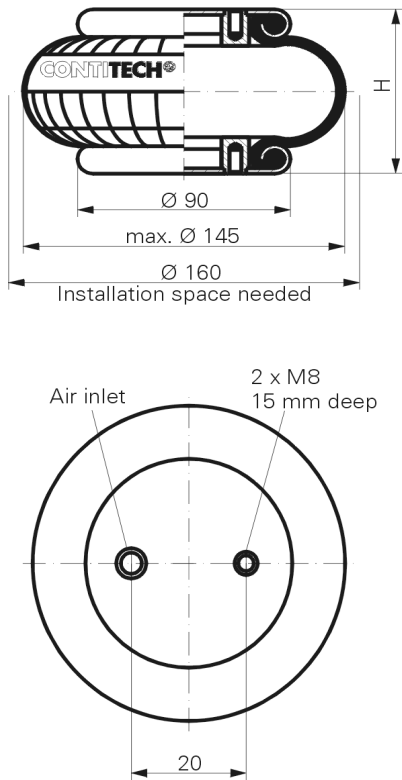


FS 40-6 CI

Single Convolution Air Spring



Purchase order data

Type	Order No.
Rubber bellows only	60507
With clamped plates G 1/8 air inlet	2681 001 000
With stainless steel clamped plates G 1/8 air inlet	61744

Additional types on request

Technical data

Min. pressure	0 bar
Return force to min. height	≤ 120 N
Overall weight with clamped plates	1.2 kg

Vibration isolation - dynamic characteristic values

Design height H: recommended 90mm, minimum 70mm

Pressure p [bar]	3	4	5	6	7	8	Vol. V [l]
Force (Load) [kN]	1.5	2.1	2.6	3.2	3.8	4.4	
Spring rate [N/cm]	790	965	1150	1325	1505	1685	
Natural frequency [Hz]	3.6	3.4	3.3	3.2	3.1	3.1	

Pneumatic application - static characteristic values

Force F [kN]

Pressure p [bar]	3	4	5	6	7	8	Vol. [l]	
Height H [mm]	100	1.1	1.5	2.0	2.4	2.9		3.4
	90	1.5	2.1	2.6	3.2	3.8		4.4
	80	1.9	2.5	3.2	3.8	4.5		5.2
	70	2.2	2.9	3.7	4.4	5.2		5.9
	60	2.5	3.3	4.0	4.8	5.7		6.5



Service instructions
M8 = 25 Nm
G 1/8 = 25 Nm

Measuring procedure: Room temperature / Force- height- data quasistatic / Dynamic data at 1 Hz