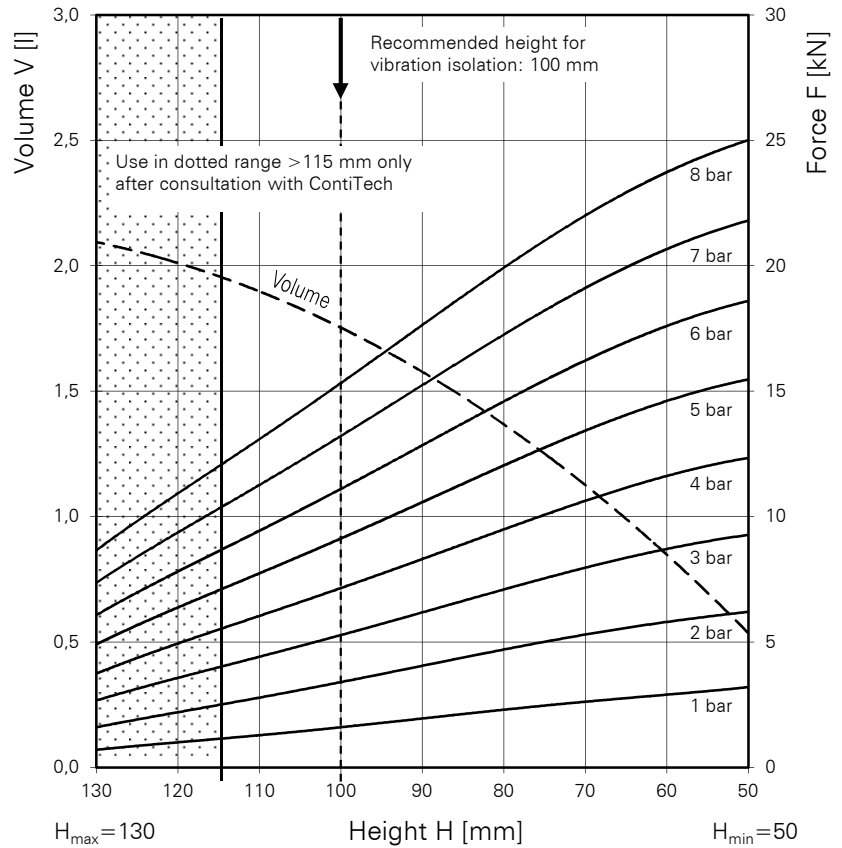
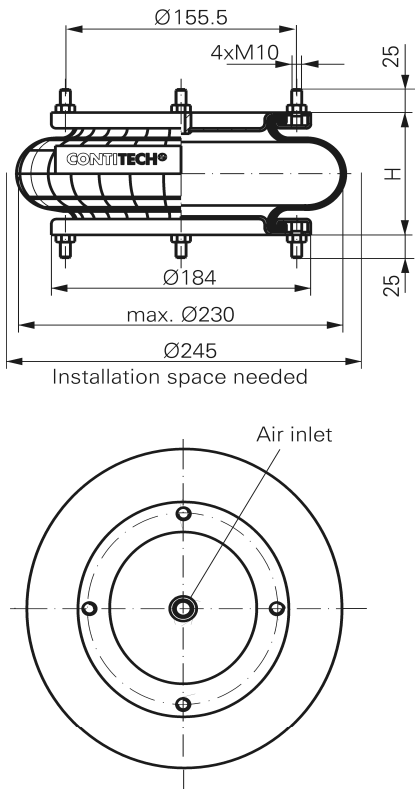


FS 138-8 DS

Single Convolution Air Spring


Purchase order data

Type	Order No.
Rubber bellows only	66503
With removable plates and G 1/2 air inlet	66507

Additional types on request

Technical data

Min. pressure	0 bar
Return force to min. height	≤ 290 N
Overall weight with metal plates	3.1 kg

Vibration isolation - dynamic characteristic values

Design height H: recommended 100mm, minimum 75mm

Pressure p [bar]	3	4	5	6	7	8	Vol. V [l]	
Force (Load) [kN]	5.3	7.2	9.1	11.1	13.2	15.3		1.80
Spring rate [N/cm]	2040	2610	3180	3755	4320	4915		
Natural frequency [Hz]	3.1	3.0	2.9	2.9	2.9	2.8		

Pneumatic application - static characteristic values

Force F [kN]

Pressure p [bar]	3	4	5	6	7	8	Vol.[l]		
Height H [mm]	120	3.6	4.9	6.4	7.8	9.4		10.9	2.0
	100	5.3	7.2	9.1	11.1	13.2		15.3	1.8
	80	7.1	9.5	12.0	14.6	17.3		19.9	1.4
	60	8.7	11.6	14.6	17.6	20.7	23.7	0.8	



Service instructions
 M10 = 25 Nm
 G 1/2 = 25 Nm

Measuring procedure: Room temperature / Force- height- data quasistatic / Dynamic data at 1 Hz