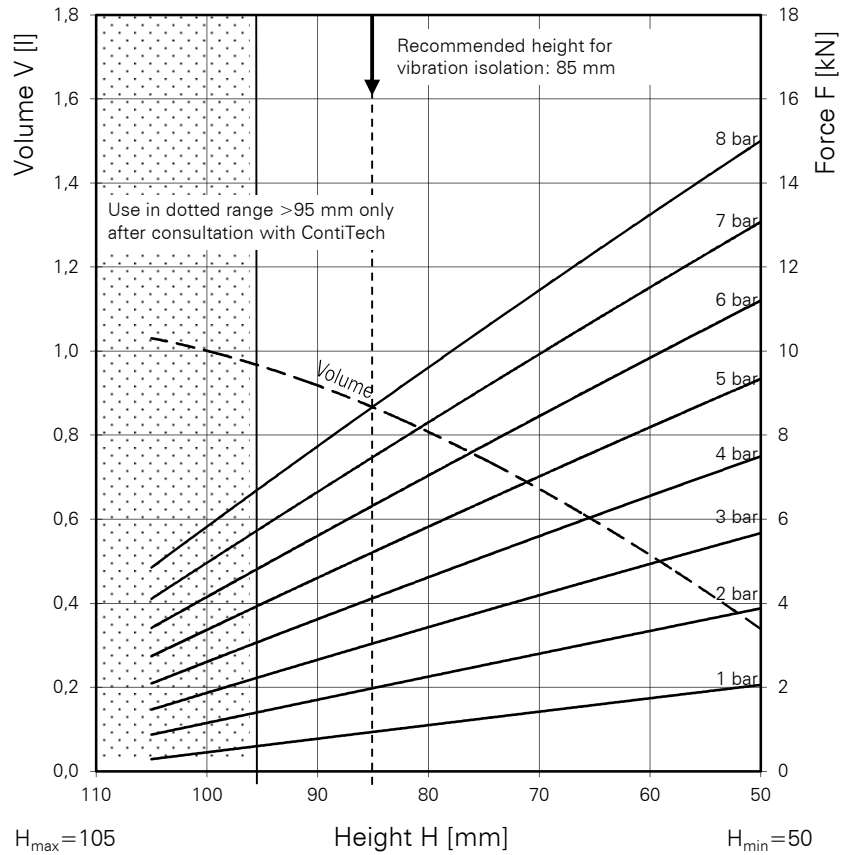
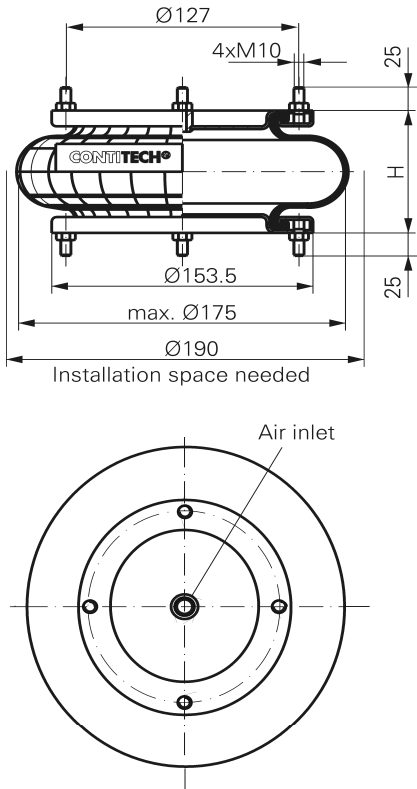


FS 76-7 DS CR

Single Convolution Air Spring



Purchase order data

Type	Order No.
CR-Rubber bellows only	70203
CR-Rubber bellows, with removeable plates and G 1/2 air inlet	70216

Additional types on request

Technical data

Min. pressure	0 bar
Return force to min. height	≤ 320 N
Overall weight	2.3 kg

Vibration isolation - dynamic characteristic values

Design height H: recommended 85mm, minimum 75mm

Pressure p [bar]	3	4	5	6	7	8	Vol V[l]
Force (Load) [kN]	3.1	4.2	5.3	6.4	7.5	8.7	
Spring rate [N/cm]	1585	2005	2455	2860	3315	3745	
Natural frequency [Hz]	3.5	3.4	3.4	3.3	3.3	3.3	

Pneumatic application - static characteristic values

Force F [kN]

Pressure p [bar]	3	4	5	6	7	8	Vol.[l]	
Height H [mm]	90	2.7	3.6	4.6	5.6	6.7		7.8
	80	3.4	4.6	5.8	7.1	8.3		9.6
	70	4.2	5.6	7.0	8.4	9.9		11.4
	60	4.9	6.5	8.2	9.8	11.5	13.2	



Service instructions
M10 = 25 Nm
G 1/2 = 25 Nm

Measuring procedure: Room temperature / Force- height- data quasistatic / Dynamic data at 1 Hz