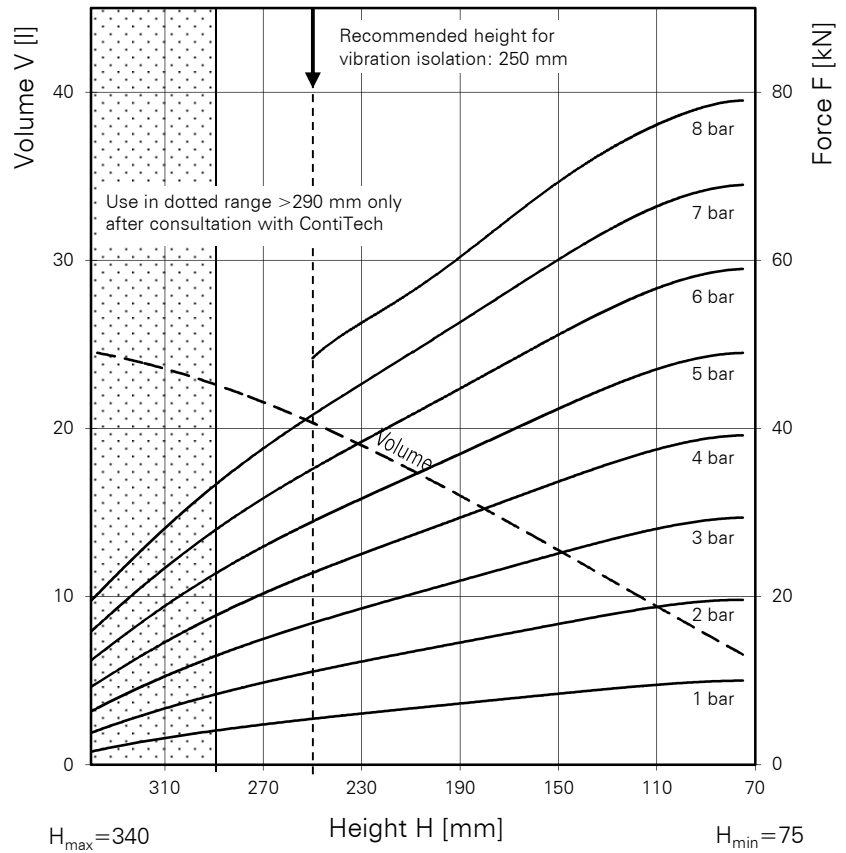
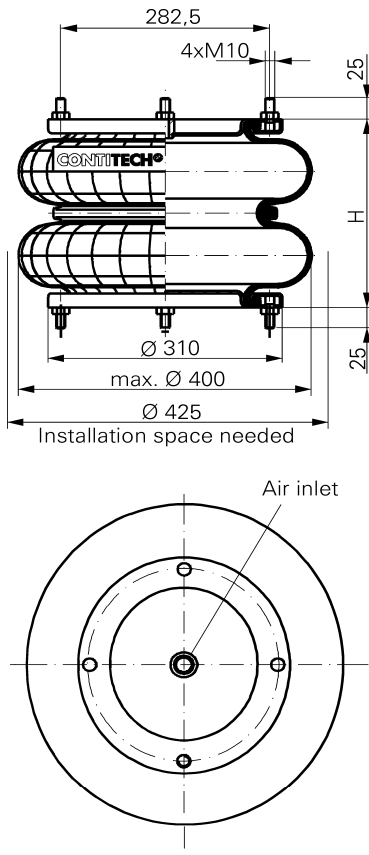


FD 614-26 DS

Double Convolution Air Spring



Purchase order data

Type	Order No.
Rubber bellows only	66013
With removable plates and G 1/2 air inlet	68046

Additional types on request

Technical data

Min. pressure	0 bar
Return force to min. height	≤ 280 N
Overall weight with metal plates	8.3 kg

Vibration isolation - dynamic characteristic values

Design height H: recommended 250mm, minimum 230mm

Pressure p [bar]	3	4	5	6	7	8	Vol V[l]	
Force (Load) [kN]	17.3	23.6	29.3	35.7	41.7	47.8		20.4
Spring rate [N/cm]	1970	2520	3040	3580	4090	4610		
Natural frequency [Hz]	1.7	1.6	1.6	1.6	1.6	1.6		

Pneumatic application - static characteristic values

Force F [kN]

Pressure p [bar]	3	4	5	6	7	8	Vol.[l]		
Height H [mm]	290	12.8	17.5	22.5	27.6	33.0		-	22.6
	250	16.9	22.9	29.0	35.3	41.8		48.4	20.4
	200	21.0	28.1	35.4	42.9	50.4		58.2	16.7
	150	25.2	33.7	42.4	51.2	60.2		69.3	12.7
	100	28.6	38.2	47.8	57.6	67.4		77.3	8.6



Service instructions
M10 = 25 Nm
G 1/2 = 25 Nm

Measuring procedure: Room temperature / Force- height- data quasistatic / Dynamic data at 1 Hz