

## 3/2 WAY DIRECT ACTING SOLENOID VALVE, G 1/8" - G 1/4"

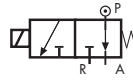
### COMMON FEATURES

Media: water, oil, air  
 Media temperature:  $-10^{\circ}\text{C} \div +130^{\circ}\text{C}$   
 Ambient temperature:  $-10^{\circ}\text{C} \div +50^{\circ}\text{C}$   
 Body material: brass (CW617N EN 12165)  
 Orifice material: stainless steel (1.4305 EN 10088/AISI 303)  
 Operator material: stainless steel  
 Seal material: foodgrade FKM  
 Protection class: IP 65 (with connector and gasket)

### OPTIONS

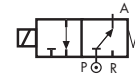
Available with body thread connection 1/8" (e.g. code SD362CVC), performance ratings remain the same as SD363CVC.  
 Armature tube with spherical 1/8" G connection (e.g. code SD362AVC).

### TYPE: DD362/363



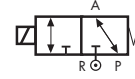
Normally Open - Diverting

### TYPE: SD362/363



Normally Open - 2<sup>nd</sup> Service

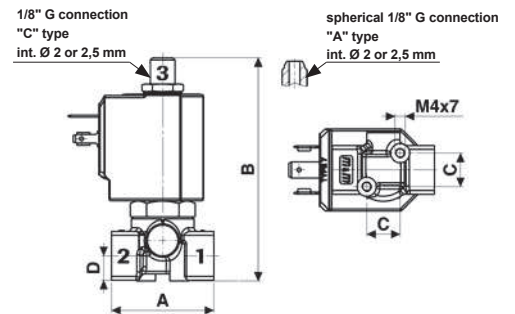
### TYPE: GD362/363



Universal Service



DIMENSIONS & WEIGHTS		SD362	SD363	DD362	DD363	GD362	GD363
<b>G connection</b>	[ISO 228]	1/8"	1/4"	1/8"	1/4"	1/8"	1/4"
<b>A</b>	[mm]	40	40	40	40	40	40
<b>B</b>	[mm]	87	87	87	87	87	87
<b>C</b>	[mm]	13	13	13	13	13	13
<b>D</b>	[mm]	9.5	9.5	9.5	9.5	9.5	9.5
<b>weight</b>	[kg]	0.26	0.26	0.26	0.26	0.26	0.26



VALVE	nominal $\varnothing$		flow rate Kvs	OPD		
	1 $\rightarrow$ 2	1 $\rightarrow$ 3		min.	max. AC	max. DC
code	[mm]	[mm]	[l/min]	[barg]	[barg]	[barg]
<b>SD363CVC</b>	1.5	1.5	1.3	0	15	15
<b>SD363CVE</b>	2.0	2.0	2.2	0	15	15
<b>SD363CVG</b>	2.5	2.5	3.4	0	13	13

COILS	
code	[Volts/Hz]
7250	24v DC
7200	24v 50/60Hz
7400	110v 50Hz - 120v 60Hz
7600	200v 50Hz - 220v 60Hz
7700	230v 50Hz - 240v 60Hz

### SD362/363 - FKM seal, 2<sup>nd</sup> SERVICE -

Coil power: AC 18va (holding)  
 AC 36va (inrush)  
 DC 14w

#### NOTES

Flow direction: **OFF 3  $\rightarrow$  1 - ON 1  $\rightarrow$  2**

VALVE	nominal $\varnothing$		flow rate Kvs	OPD		
	1 $\rightarrow$ 2	1 $\rightarrow$ 3		min.	max. AC	max. DC
code	[mm]	[mm]	[l/min]	[barg]	[barg]	[barg]
<b>DD363CVC</b>	1.5	2.5	1.3	0	20	20
<b>DD363CVE</b>	2.0	2.5	2.2	0	20	20

COILS	
code	[Volts/Hz]
7250	24v DC
7200	24v 50/60Hz
7400	110v 50Hz - 120v 60Hz
7600	200v 50Hz - 220v 60Hz
7700	230v 50Hz - 240v 60Hz

### DD362/363 - FKM seal, DIVERTING -

Coil power: AC 18va (holding)  
 AC 36va (inrush)  
 DC 14w

#### NOTES

Flow direction: **OFF 1  $\rightarrow$  3 - ON 1  $\rightarrow$  2**

VALVE	nominal $\varnothing$		flow rate Kvs	OPD		
	1 $\rightarrow$ 2	1 $\rightarrow$ 3		min.	max. AC	max. DC
code	[mm]	[mm]	[l/min]	[barg]	[barg]	[barg]
<b>GD363CVE</b>	2.0	2.0	2.2	0	8	7

COILS	
code	[Volts/Hz]
7250	24v DC
7200	24v 50/60Hz
7400	110v 50Hz - 120v 60Hz
7600	200v 50Hz - 220v 60Hz
7700	230v 50Hz - 240v 60Hz

### GD362/363 - FKM seal, UNIVERSAL SERVICE -

Coil power: AC 18va (holding)  
 AC 36va (inrush)  
 DC 14w

#### NOTES

Pressure can be connected to all ports:

- from **2** like D362 (TIS \*07 05\*),
- from **1** like DD362,
- from **3** like SD362.