



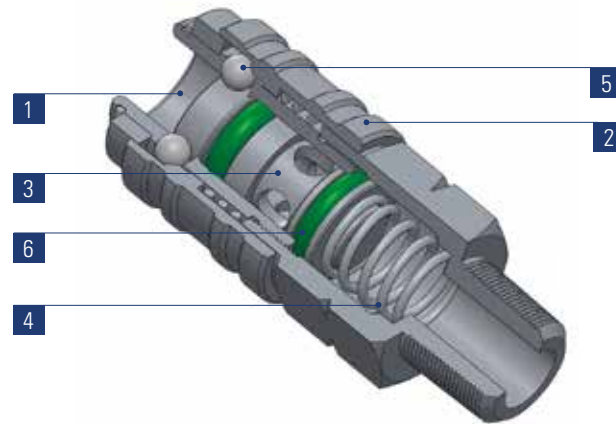
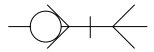
PUX LINE



Innesti Rapidi in Acciaio Inox 316L NPT
316L Stainless Steel Couplings, NPT
Coupleurs en Acier Inox 316L, NPT
Kupplungen aus Edelstahl 1.4404, NPT



PUX	Innesto rapido multipresa in inox		Stainless steel Multi socket quick coupler		Coupleur multiprofil en acier inox		Multiprofilkupplung aus Edelstahl
1	2	3	4	5	6		
Corpo Body Corps Körper	Ghiera di comando Command Sleeve Douille de commande Absperrhülse	Otturatore Valve Clapet Ventil	Molle Springs Ressorts Feder	Sfere Balls Billes Kugel	Guarnizioni Seals Joint d'étanchéité Dichtung		Innesti Plugs Embouts Stecker
Acciaio Inox AISI 316L (1.4404) Stainless Steel AISI 316L (1.4404) Acier Inox AISI 316L (1.4404) Edelstahl AISI 316L (1.4404)			Acciaio Inox AISI 302 Stainless Steel AISI 302 Acier Inox AISI 302 Edelstahl AISI 302	Acciaio Inox AISI 420 Stainless Steel AISI 420 Acier Inox AISI 420 Edelstahl AISI 420	FPM FPM FPM FPM		Acciaio Inox AISI 316L (1.4404) Stainless Steel AISI 316L (1.4404) Acier Inox AISI 316L (1.4404) Edelstahl AISI 316L (1.4404)



Intercambiabilità con i profili Suitable with following plugs profiles Interchangeable avec les suivants profils Austauschbar mit folgenden Profilen	Portata Flow rate Débit (6 bar - Δp = 1bar) Durchfluß
--	--

	Profilo Europeo European Profile Profil européen Europäisches Profil	820
	Profilo ISO 6150 B ISO 6150 B Profile Profil ISO 6150 B ISO 6150 B Profil	715
	Profilo Svedese Standard Swedisch Profile Profil Standard Suédois Standard schwedisches Profil	725
	Profilo Italiano Standard Italian Profile Profil Standard Italien Standard Italienisches Profil	670
	Profilo MIL C4109 MIL C4109 Profile Profil MIL C4109 MIL C4109 Profil	715
	Profilo ARO 210 ARO 210 Profile Profil ARO 210 ARO 210 Profil	705

Scala 1:1 - Scale 1:1 - Echelle 1:1 - Maßstab 1:1

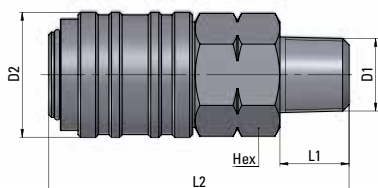
PUX 10-11

Innesto rapido con filetto maschio

Male coupling

Coupleur mâle

Einschraubkupplung



Tipo	D1 NPTF	D2	L1	L2	HEX (mm)	g $\Delta\Delta$
11 00 14	1/4	.925	.512	2.224	20	-
11 00 38	3/8	.925	.512	2.224	20	-

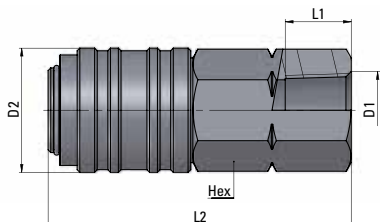
PUX 10-12

Innesto rapido con filetto femmina

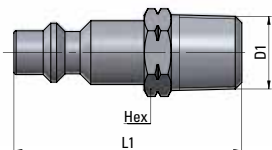
Female coupling

Coupleur femelle

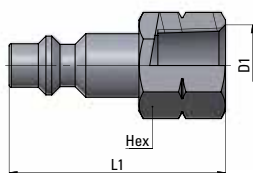
Aufschraubkupplung



Tipo	D1 NPTF	D2	L1	L2	HEX (mm)	g $\Delta\Delta$
12 00 14	1/4	.925	.492	2.303	20	-
12 00 38	3/8	.925	.492	2.303	20	-

PUX 10-20Innesto con filetto maschio,
profilo ISO6150 B-12Male plug according
to ISO6150 B-12 profileEmbout mâle selon profil
ISO6150 B-12Stecker gemäss ISO6150 B-12
Profil, Einschraub

Tipo	D1 NPTF	L1	HEX (mm)	g $\Delta\Delta$
20 00 14	1/4	1.654	14	-
20 00 38	3/8	1.654	18	-

PUX 10-21Innesto con filetto femmina,
profilo ISO6150 B-12Female plug according
to ISO6150 B-12 profileEmbout femelle selon
profil ISO6150 B-12Stecker gemäss ISO6150 B-12
Profil, Aufschraub

Tipo	D1 NPTF	L1	HEX (mm)	g $\Delta\Delta$
21 00 14	1/4	1.575	17	-
21 00 38	3/8	1.575	20	-