

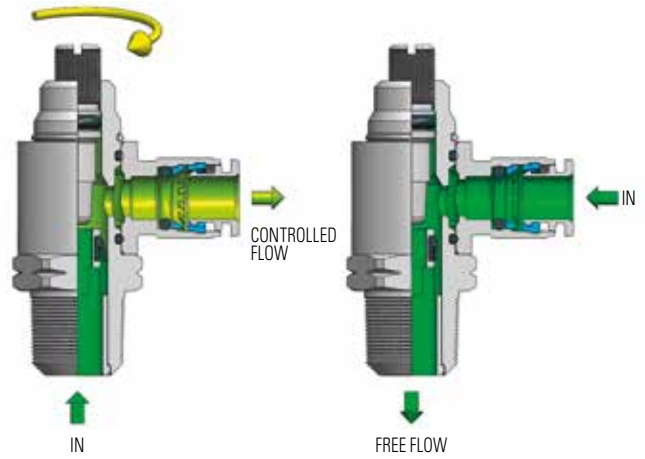


PVX LINE

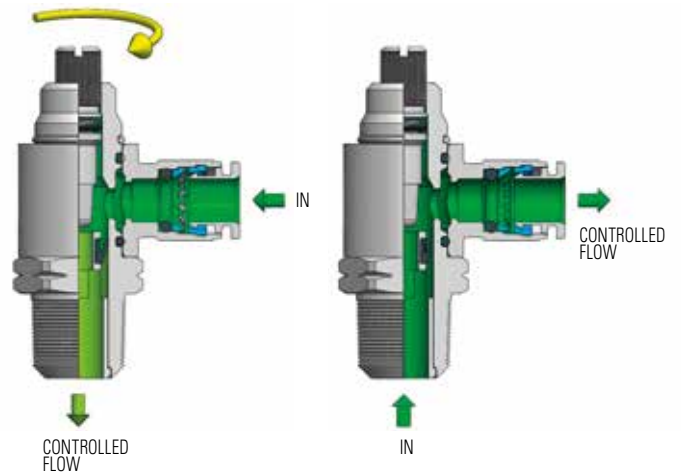
316L Stainless Steel Function Fittings, Inch/NPT



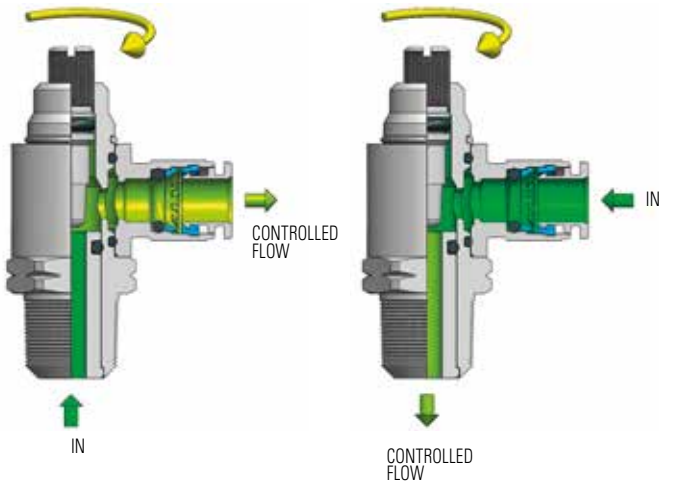
.../C = Meter out flow control



.../N = Meter in flow control



.../B = Bidirectional flow control



They can adjust the flow in a pneumatic circuit. Depending on the flow control used, the setting can be made both ways (Bidirectional Flow Control), or just one way (Unidirectional Flow Control). The Unidirectional Flow Control is particularly used to adjust the speed of pneumatic cylinders.

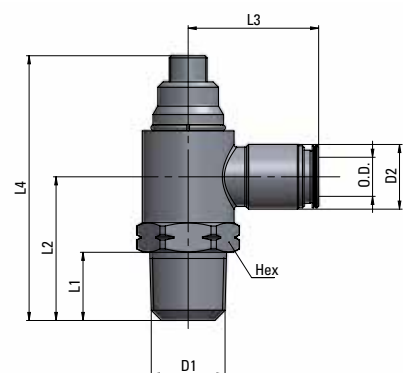
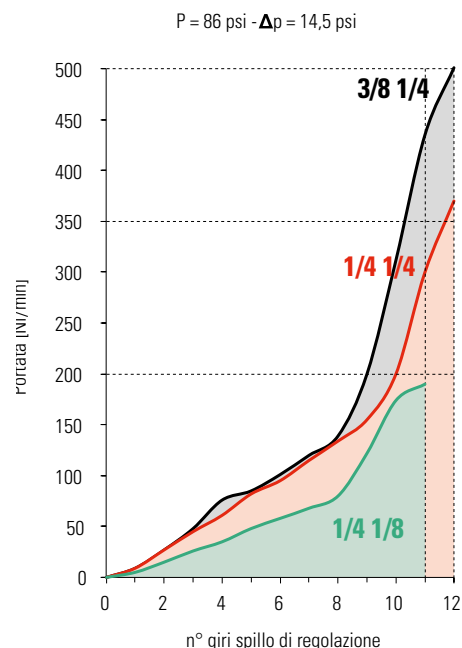
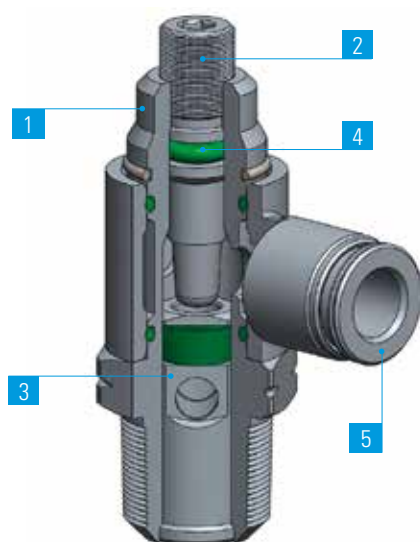
1	2	3	4	5
Body	Needle	Cartridge	Seals	Banjo Ring
Stainless Steel AISI 316L (1.4404)			FPM	PX line push-in fittings



DATA SHEET

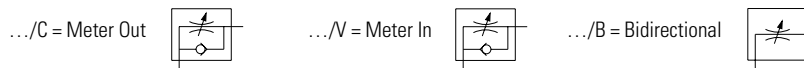
Recommended tubings:
PVDF and PTFE tubings.

Application field:
pneumatic installations fed with filtered, lubricated air.



Part Number	Tube OD	D1 NPTF	D2	L1	L2	L3	L4	HEX	oz
18 1/4 1/8	1/4	1/8	.472	.335	.848	.886	1.638	9/16	-
18 1/4 1/4	1/4	1/4	.472	.512	1.059	.945	1.969	11/16	-
18 3/8 1/4	3/8	1/4	.630	.512	1.059	1.024	1.969	11/16	-

Available as:



The banjo ring swivels also after flow control installation.

PVX 23

Check valve

1	2	3	4
Body	Valve	Seals	Spring
Stainless Steel AISI 316L (1.4404)		FPM	Stainless Steel AISI 302



14°F ÷ 302°F



29 ÷ 145 PSI



29 PSI

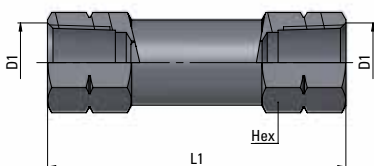
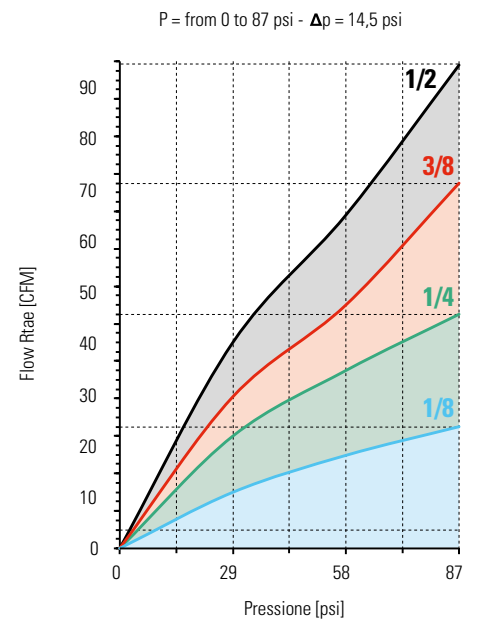
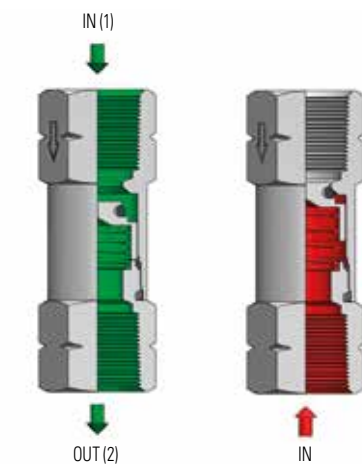


The flow is allowed only in one way (the arrow direction engraved on the body) and stopped in the reverse way.

DATA SHEET



Recommended tubings:
according to the fitting connected to the valve.

Application field:
pneumatic installations fed with filtered, lubricated air.



Part Number	D1 NPTF	L1	HEX	oz Δ
23 00 18	1/8	1.692	.512	-
23 00 14	1/4	2.165	.630	-
23 00 38	3/8	2.047	.787	-
23 00 12	1/2	2.480	.945	-

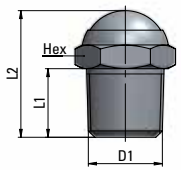



Body	Muffler		
------	---------	---	---

PVX11-FE	Stainless Steel AISI 304	Stainless Steel AISI 304	14°F ÷ 302°F	0 ÷ 174 psi
-----------------	--------------------------	--------------------------	--------------	-------------

PVX 11-FE

Air muffler with stainless steel wire



Part Number	D1 NPT	L1	L2	HEX	oz 
11 00 18-FE	1/8	.236	.591	.512	.265
11 00 14-FE	1/4	.433	.866	.630	.388
11 00 38-FE	3/8	.433	.906	.748	-
11 00 12-FE	1/2	.512	.984	.945	-